

TB 260 GRILL BARRIER

SAFETY BARRIERS

Revision: 30 May 2024 5:04 PM
Boplan reference: GB2...



PRODUCT SPECIFICATIONS

| APPLICATION | |
|---------------------------|---|
| Environment | Single tube traffic barrier protects people against the impact of forklifts and falling goods. Intended for indoor use. |
| Impact performance at 90° | POST: 12000 Joule (Eq. to 5ton - 7.9 km/h) |
| | RAIL: 21200 Joule (Eq. to 5ton - 10.5 km/h) |
| MATERIAL | |
| Posts and rails | Extrilene® - UV resistant - Fire class E ⁺ - Non conductive - Impervious to most chemicals* |
| Caps | Sustainable elastomer |
| STANDARD COLOURS | |
| End post | Black RAL 9005 |
| Mid post | Black RAL 9005 |
| Impact tube | Yellow RAL 1003 |
| Handrails | Yellow RAL 1003 |
| BASEPLATES | |
| | Steel |
| Material | Steel 37 |
| Coating | Lacquered |
| Colour | High gloss black |

*Classification according to EN 13501-1:2007 +A1:2009 - Fire classification of construction products and building elements.
**Ask your local sales office for resistance to specific chemicals.






| | | FIXATIONS | | |
|--------------|-----------------------|---|-------------------------------|----------------------|
| | | | ZC (Zinc coated) | SS (Stainless steel) |
| STANDARD | Concrete screw |  | Ø12mm x 100mm | Not available |
| | Anchor rod (Chemical) |  | M12 x 120mm + Chemical resin | Not available |
| ALTERNATIVES | Wedge anchor |  | M12 x 120mm | Not available |
| | Asphalt anchor |  | Bolt M10 x 40mm + Screw Ø16mm | Not available |

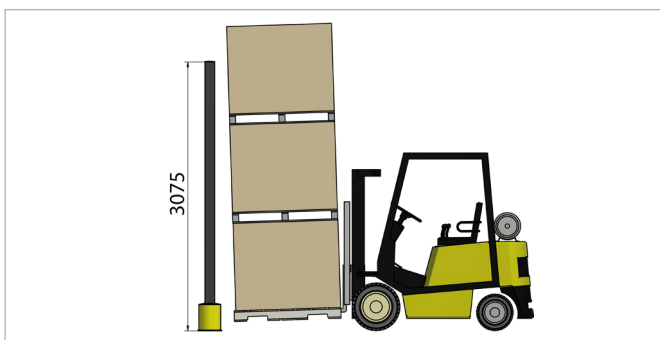


FEATURES AND FUNCTIONALITY - TB 260 GRILL BARRIER

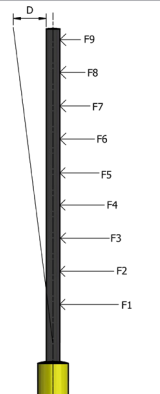
| SIZE | |
|---------------------------|--|
| Height end posts | maximum 3075 mm |
| Height mid post | maximum 3075 mm |
| Profile section tubes | Ø200 mm (11 mm thick) |
| Profile section handrails | 50 mm x 70 mm (6 mm thick) |
| Profile section end posts | Outer tube: Ø250 mm (11 mm thick) Inner profile: 112 mm x 112 mm (10 mm thick) |
| Profile section mid posts | Profile: 112 mm x 112 mm (10 mm thick) |
| Standard rail length (cc) | 1350mm (center - center 1600mm) |
| Baseplate | End Post: 275 mm x 275 mm x (10 mm thick) Mid Post: 180 mm x 180 mm x (10 mm thick) |

| REQUIREMENTS | |
|---|---|
| Concrete quality | minimum C25/30 |
| Concrete floor plate thickness (mm) | minimum 150 mm |
| Concrete slab dimension around posts (mm) | 600 (h) x 600 (w) x 300 (d) |
| Operational temperature | -10°C up to +40°C |
| Water and humidity | Steel (standard): dry indoor use only. |

|  IMPACT LABEL FOR SAFETY BARRIERS | | |
|---|---|---|
| BOPLAN TB 260 GRILL BARRIER | |  |
| IMPACT RATING | 45° | 90° |
| E80 | < 80 kJ | |
| E60 | < 60 kJ | |
| E50 | < 50 kJ | |
| E40 | < 40 kJ | |
| E35 | < 35 kJ | |
| E30 | < 30 kJ | 30 kJ |
| E25 | < 25 kJ | |
| E20 | < 20 kJ | 21,2 kJ |
| E15 | < 15 kJ | |
| E10 | < 10 kJ | |
| E5 | < 5,0 kJ | |
| E2 | < 2,5 kJ | |
| TEST CONDITIONS |  | TEST VEHICLE |
| TEMPERATURE: 20°C / 68°F | |  |
| IMPACT HEIGHT: 160 mm / 6 1/4 Inch | | WEIGHT: 2300 KG / 5070.63 lbs |
| IMPACT ANGLE: 90° | | TYPE: COMMERCIAL FORK LIFT |
| TEST FLOOR: CONCRETE SLAB C25/30 - 160 mm / 6 Inch | | SIZE (L x W x h): 1890x1020x1970 mm / 74x40x78 Inch |
| MANUFACTURER ANCHOR PULL OUT: 7,9 kN | | CONTACT AREA: STEEL BUMPER WIDTH: 600 mm / 24 Inch |
| SUCCESS CRITERIA VEHICLE STOPPED - ASI (ACCELERATION SEVERITY INDEX) < 0,5 | | ACCREDITED TEST LABORATORY |
| | | 620 Route des Fromentaux 01500 Saint-Maurice-de-Rémens 01360 Belligneux France |
| | |  |
| | | IL-G82-20230920 |

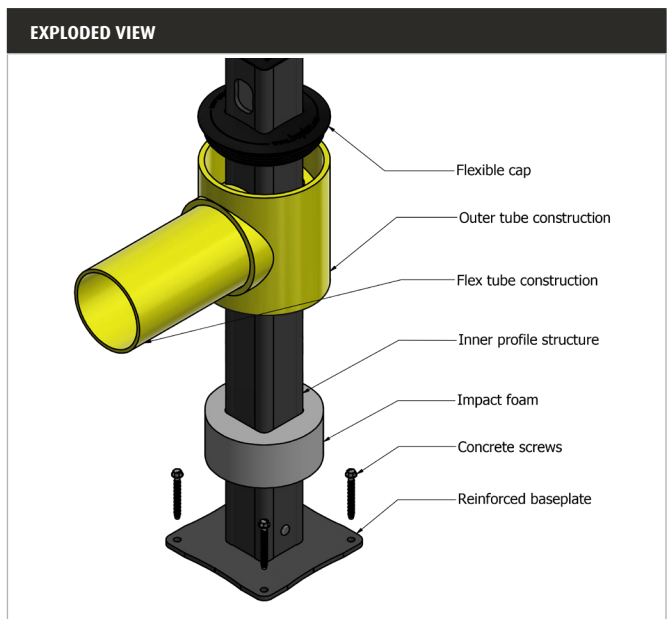


| HOLDING POWER | | |
|---------------|--------------|--------------|
| | Force* | Deflection** |
| 3075mm - 9R | F9 = 2600 N | 825 mm |
| 2800mm - 8R | F8 = 2900 N | 780 mm |
| 2525mm - 7R | F7 = 3300 N | 730 mm |
| 2250mm - 6R | F6 = 3800 N | 665 mm |
| 1975mm - 5R | F5 = 4500 N | 585 mm |
| 1700mm - 4R | F4 = 5600 N | 505 mm |
| 1425mm - 3R | F3 = 7300 N | 405 mm |
| 1150mm - 2R | F2 = 10800 N | 300 mm |
| 875mm - 1R | F1 = 19500 N | 175 mm |



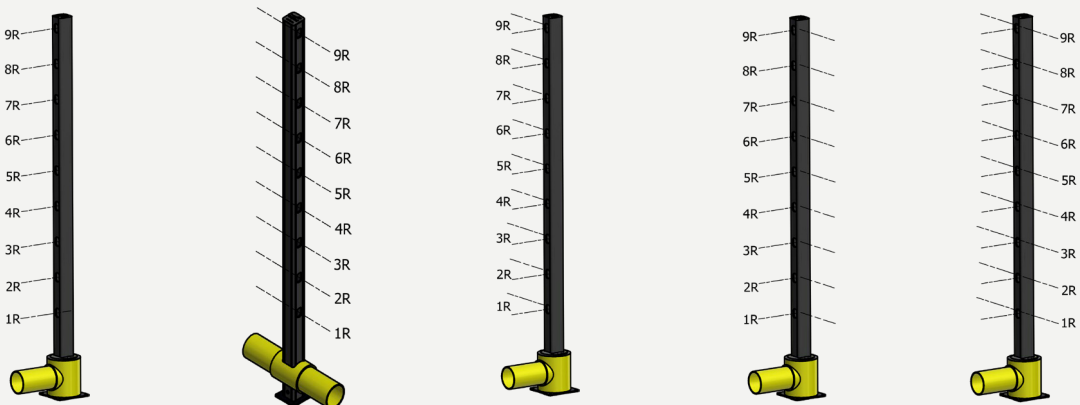
* Force acting on the center of the hand rails (between posts)

** Deflection (D) measured on top side.



REFERENCE LIST - TB 260 GRILL BARRIER
POSTS

| | End post | Mid post | Corner post 90° Up | Corner post 90° Down | T-end post (incl. caps) |
|-------------|------------------|------------------|-----------------------|-------------------------|----------------------------|
| 3075mm - 9R | GB2275-3075-EPYE | GB2275-3075-MPYE | GB2275-3075-CPUYE | GB2275-3075-CPDYE | GB2275-3075-TPYE |
| 2800mm - 8R | GB2275-2800-EPYE | GB2275-2800-MPYE | GB2275-2800-CPUYE | GB2275-2800-CPDYE | GB2275-2800-TPYE |
| 2525mm - 7R | GB2275-2525-EPYE | GB2275-2525-MPYE | GB2275-2525-CPUYE | GB2275-2525-CPDYE | GB2275-2525-TPYE |
| 2250mm - 6R | GB2275-2250-EPYE | GB2275-2250-MPYE | GB2275-2250-CPUYE | GB2275-2250-CPDYE | GB2275-2250-TPYE |
| 1975mm - 5R | GB2275-1975-EPYE | GB2275-1975-MPYE | GB2275-1975-CPUYE | GB2275-1975-CPDYE | GB2275-1975-TPYE |
| 1700mm - 4R | GB2275-1700-EPYE | GB2275-1700-MPYE | GB2275-1700-CPUYE | GB2275-1700-CPDYE | GB2275-1700-TPYE |
| 1425mm - 3R | GB2275-1425-EPYE | GB2275-1425-MPYE | GB2275-1425-CPUYE | GB2275-1425-CPDYE | GB2275-1425-TPYE |


RAIL SETS

| | CC1000mm 750mm - YE | CC1200mm 950mm - YE | CC1400mm 1150mm - YE | CC1600mm 1350mm - YE | CC1800mm 1550mm - YE | CC2000mm 1750mm - YE | Short rail CC850-1599 - YE | Long rail CC1601-2000 - YE | Conn.tube Ø250 350mm - 90° - YE |
|----|------------------------|------------------------|-------------------------|-------------------------|-------------------------|-------------------------|-------------------------------|-------------------------------|------------------------------------|
| 9R | GBR900-0750-1000YE | GBR900-0950-1200YE | GBR900-1150-1400YE | GBR900-1350-1600YE | GBR900-1550-1800YE | GBR900-1750-2000YE | GBR909-1599-SRYE | GBR909-2000-LRYE | GBR900-0350-C259YE |
| 8R | GBR800-0750-1000YE | GBR800-0950-1200YE | GBR800-1150-1400YE | GBR800-1350-1600YE | GBR800-1550-1800YE | GBR800-1750-2000YE | GBR809-1599-SRYE | GBR809-2000-LRYE | GBR800-0350-C259YE |
| 7R | GBR700-0750-1000YE | GBR700-0950-1200YE | GBR700-1150-1400YE | GBR700-1350-1600YE | GBR700-1550-1800YE | GBR700-1750-2000YE | GBR709-1599-SRYE | GBR709-2000-LRYE | GBR700-0350-C259YE |
| 6R | GBR600-0750-1000YE | GBR600-0950-1200YE | GBR600-1150-1400YE | GBR600-1350-1600YE | GBR600-1550-1800YE | GBR600-1750-2000YE | GBR609-1599-SRYE | GBR609-2000-LRYE | GBR600-0350-C259YE |
| 5R | GBR500-0750-1000YE | GBR500-0950-1200YE | GBR500-1150-1400YE | GBR500-1350-1600YE | GBR500-1550-1800YE | GBR500-1750-2000YE | GBR509-1599-SRYE | GBR509-2000-LRYE | GBR500-0350-C259YE |
| 4R | GBR400-0750-1000YE | GBR400-0950-1200YE | GBR400-1150-1400YE | GBR400-1350-1600YE | GBR400-1550-1800YE | GBR400-1750-2000YE | GBR409-1599-SRYE | GBR409-2000-LRYE | GBR400-0350-C259YE |
| 3R | GBR300-0750-1000YE | GBR300-0950-1200YE | GBR300-1150-1400YE | GBR300-1350-1600YE | GBR300-1550-1800YE | GBR300-1750-2000YE | GBR309-1599-SRYE | GBR309-2000-LRYE | GBR300-0350-C259YE |
| 2R | GBR200-0750-1000YE | GBR200-0950-1200YE | GBR200-1150-1400YE | GBR200-1350-1600YE | GBR200-1550-1800YE | GBR200-1750-2000YE | GBR209-1599-SRYE | GBR209-2000-LRYE | GBR200-0350-C259YE |

TECHNICAL DRAWINGS - TB 260 GRILL BARRIER

Rails 275 mm center - center

