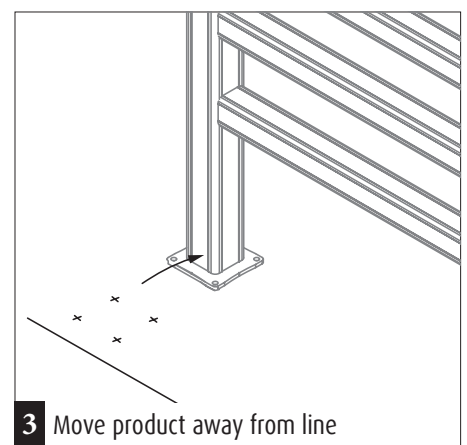
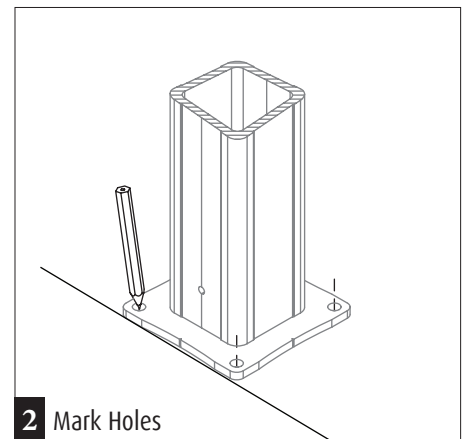
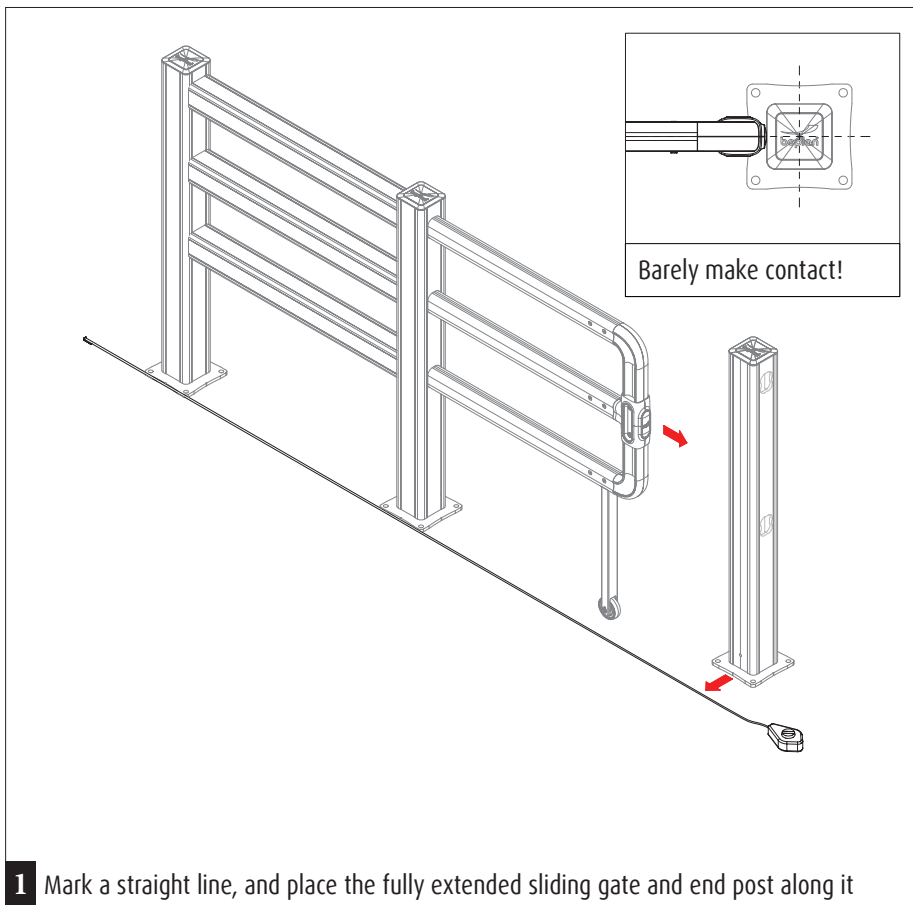
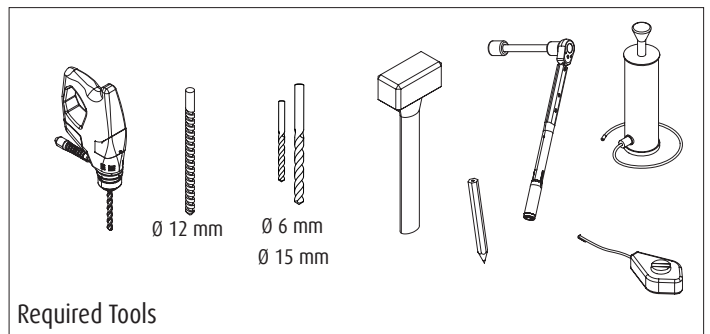
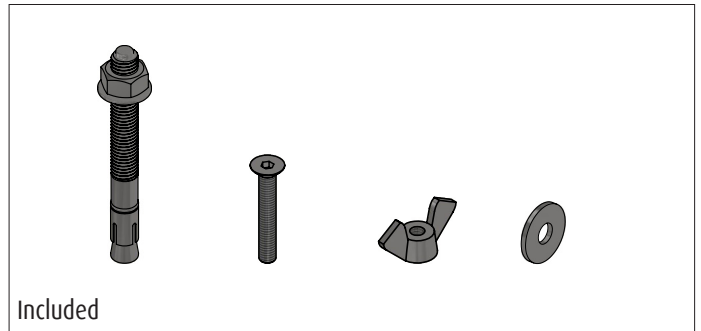


SG SLIDING GATE

INSTALLATION SHEET

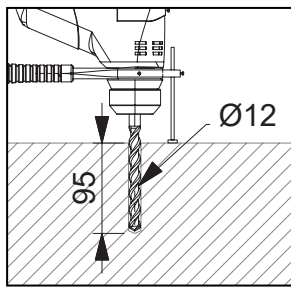
Reference: SG12... / SG13 ...



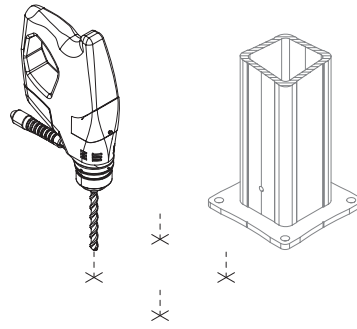
For more information, please visit www.boplan.com

Rev: 23 February 2022 9:33 am

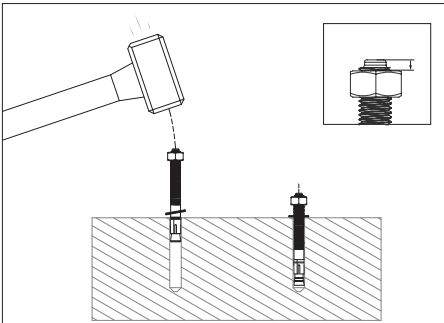
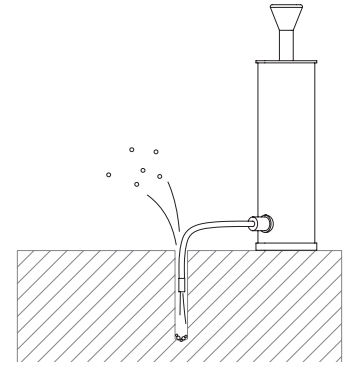




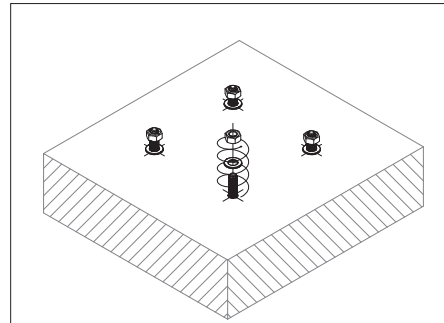
4 Drill holes



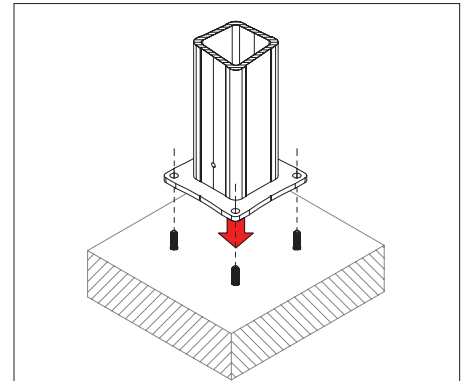
5 Remove debris from holes



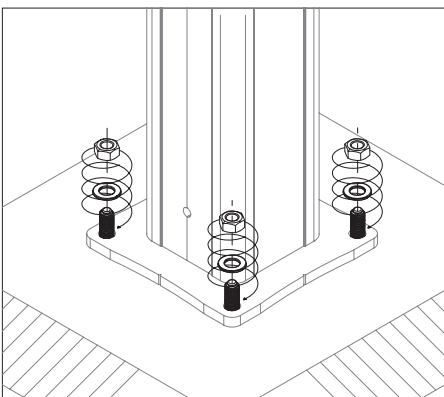
6 Insert the anchors with nuts and washers attached all the way down to the end of the drilled hole.



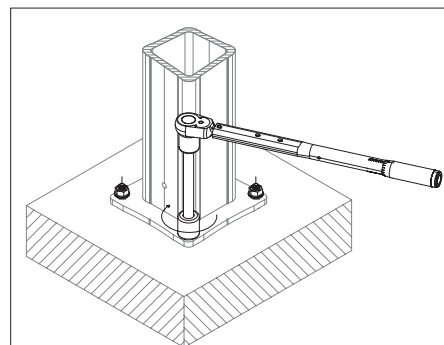
7 Remove nuts and washers before continuing



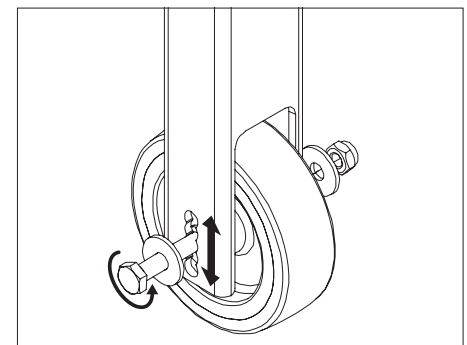
8 Place the posts over the anchors



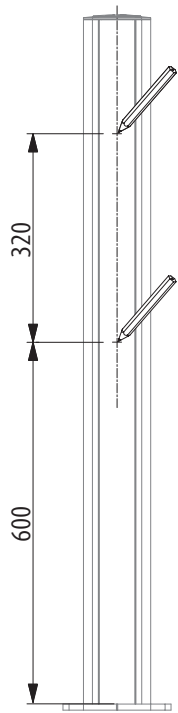
9 Attach washers and nuts



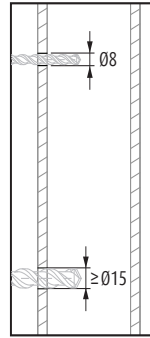
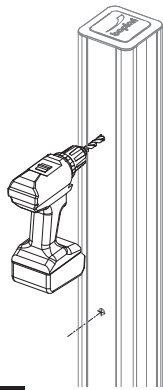
10 Fasten nuts with torque key. For tension setting, see fixation box



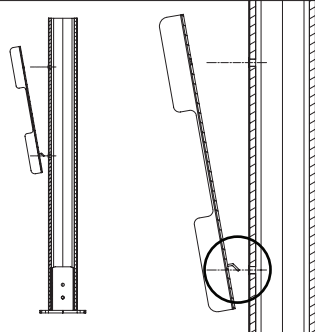
11 Adjust the support wheel height to ensure smooth opening and closing.



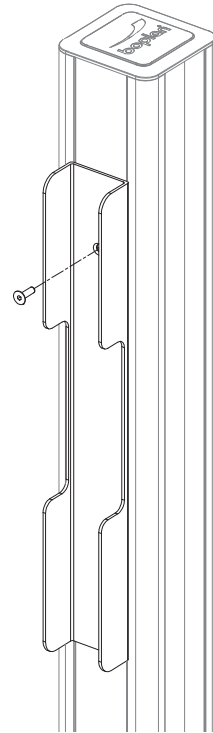
A1 Identify the side on the separate end post where the gate will make contact. Mark holes for drilling.



A2 Drill holes



A3 Insert the bottom lip of the profile in the bottom hole and align.



A4 Fasten the screw and nut to the profile



For more information, please visit www.boplan.com

Rev: 23 February 2022 9:33 am

