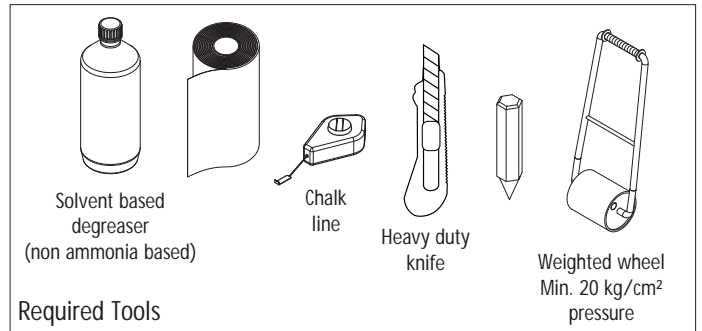


LINEPLAN MARKING TAPE

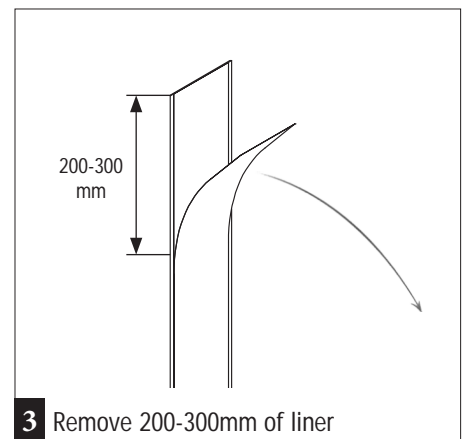
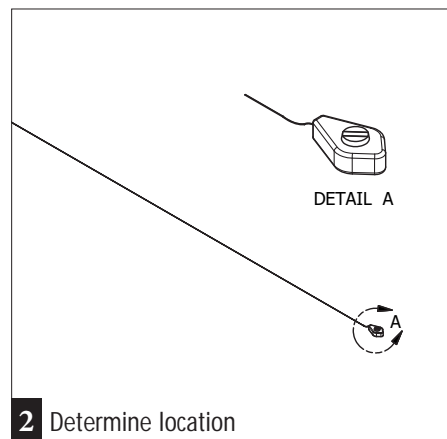
LPO...-....-.... (PVC)
 + LAO...-....-.... (Anti-slip)

INSTALLATION SHEET



TAPE CHARACTERISTICS AND METHOD OF USE

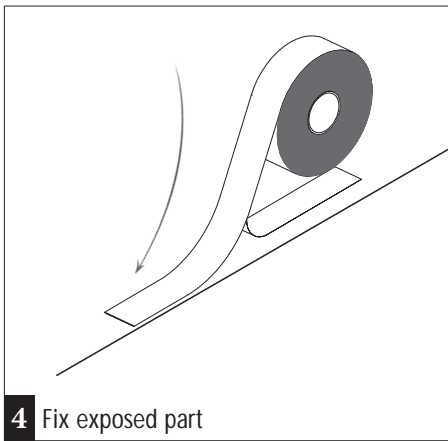
- Floor temperature must be above 12°C
- Indoor use only
- Floor must be clean, dry and non-oil soaked



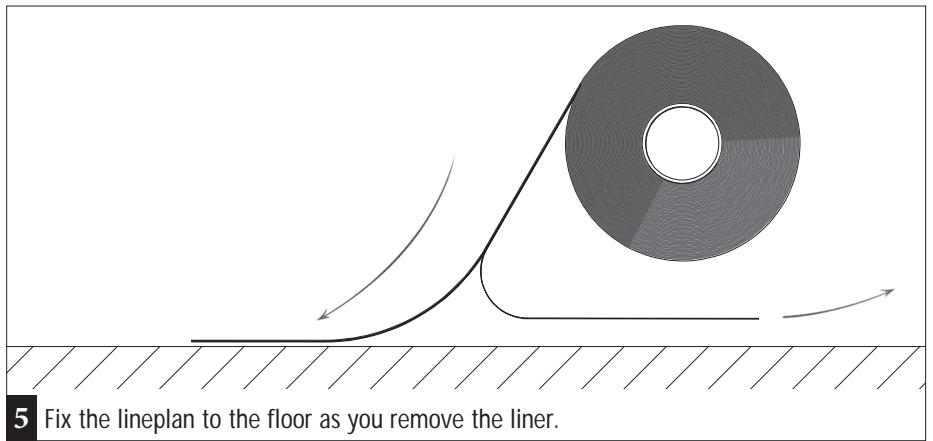
For more information, please visit www.boplan.com

Rev: 1 October 2018 2:33 PM

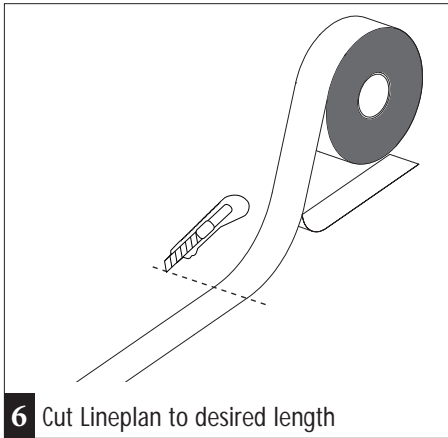




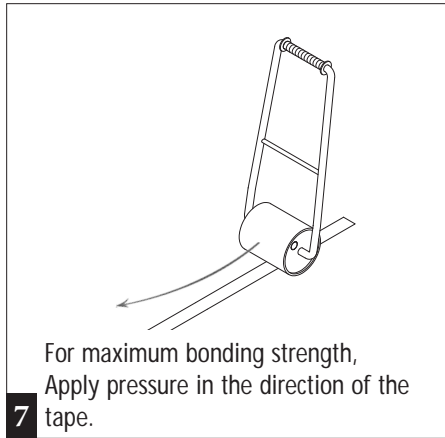
4 Fix exposed part



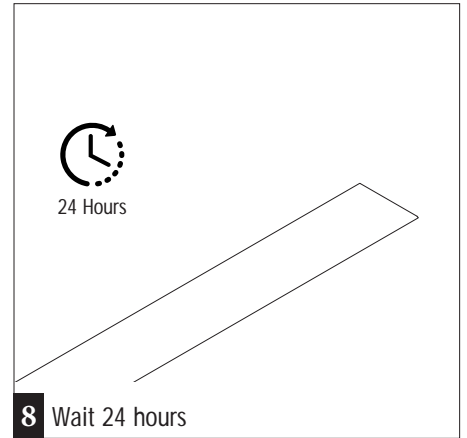
5 Fix the lineplan to the floor as you remove the liner.



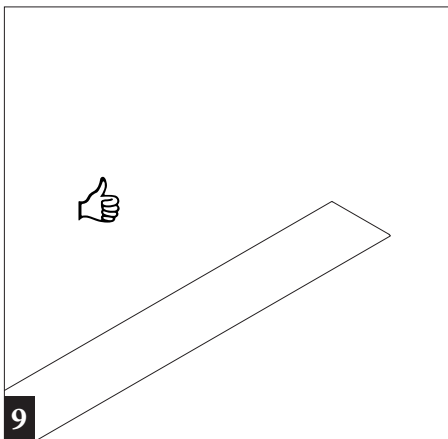
6 Cut Lineplan to desired length



7 For maximum bonding strength, Apply pressure in the direction of the tape.

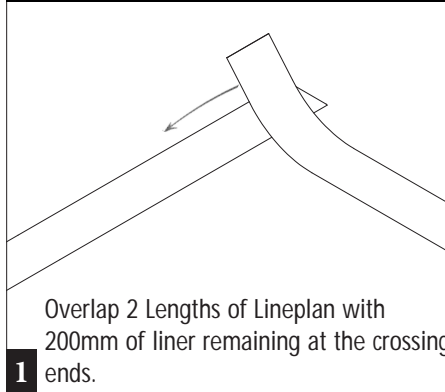


8 Wait 24 hours

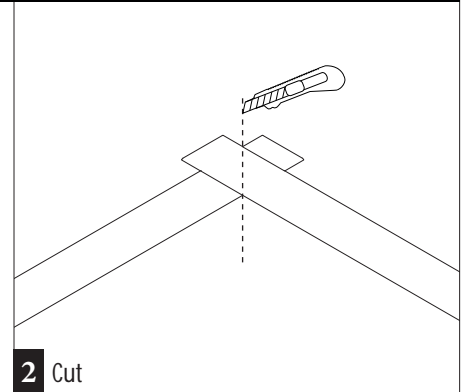


9

Optional 90° corner

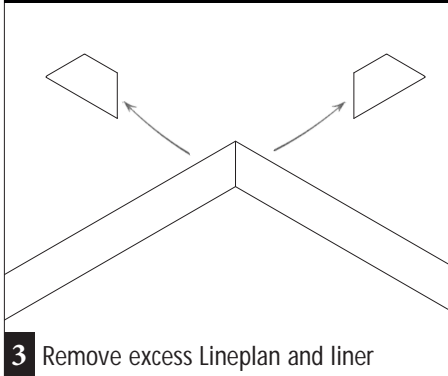


1 Overlap 2 Lengths of Lineplan with 200mm of liner remaining at the crossing ends.

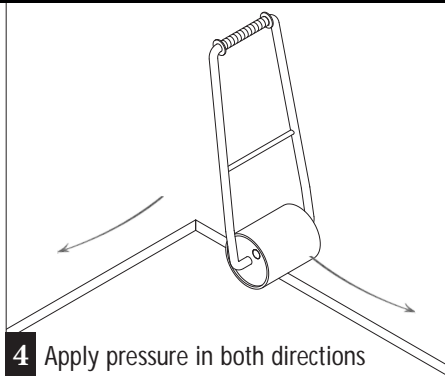


2 Cut

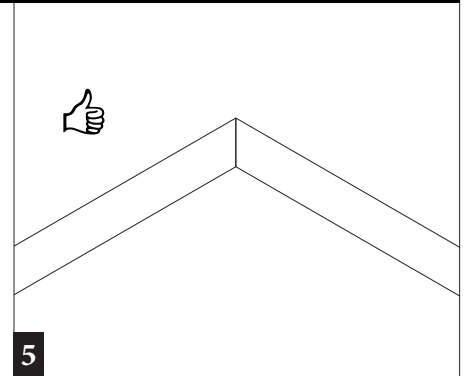
Optional 90° corner



3 Remove excess Lineplan and liner



4 Apply pressure in both directions



5



For more information, please visit www.boplan.com

Rev: 1 October 2018 2:33 PM

