



HD MEZZA BOPLAN HANDRAIL MEZZA SPECIFICATION SHEET



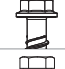
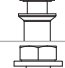
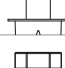

Revision 02: 11 May 2023 1:11 PM
Boplan reference: HM0900- ...



PRODUCT SPECIFICATIONS

APPLICATION			
Protection	Balustrade for pedestrians on mezzanine, floors and heights. The extra skirting board at the bottom eliminates the risk of objects sliding under the balustrade. HD Mezza is not intended for impact with fork lift trucks or other motorized vehicles.		
MATERIAL			
Posts and rails	Novilene® - UV resistant - Fire class E ⁺ - Non conductive - Impervious to most chemicals**		
Skirting board	Glass fiber reinforced plastic		
Caps	SEBS rubber		
STANDARD COLORS			
End post / Mid post	Black		
Handrails	Yellow and Yellow/black		
Skirting board	Yellow		
BASEPLATES			
	Steel	Zinc Coated Steel	Stainless steel
Material	Steel 37	Steel 37	SS 304
Coating	Lacquered	Lacquered + electro plating	No lacquer / No coating
Color	High gloss black	Matt black	Natural color

*Classification according to EN 13501-1:2007 +A1:2009 - Fire classification of construction products and building elements.
**Ask your local sales office for resistance to specific chemicals.

FIXATIONS			
		ZC (Zinc coated)	SS (Stainless steel)
STANDARD	Wedge anchor	 M12 x 120mm	M12 x 120mm
	Anchor rod (Chemical)	 M12 x 120mm + Chemical resin	M12 x 120mm + Chemical resin
ALTERNATIVES	Concrete screw	 Ø12mm x 100mm	Not available
	Asphalt anchor	 Bolt M10 x 40mm + Screw Ø16mm	Not available
	Spit anchor	 Bolt M12 x 100mm + Plug Ø20mm	Not available
	Bolt and nut	 Bolt M12 x 60mm	Bolt M12 x 60mm



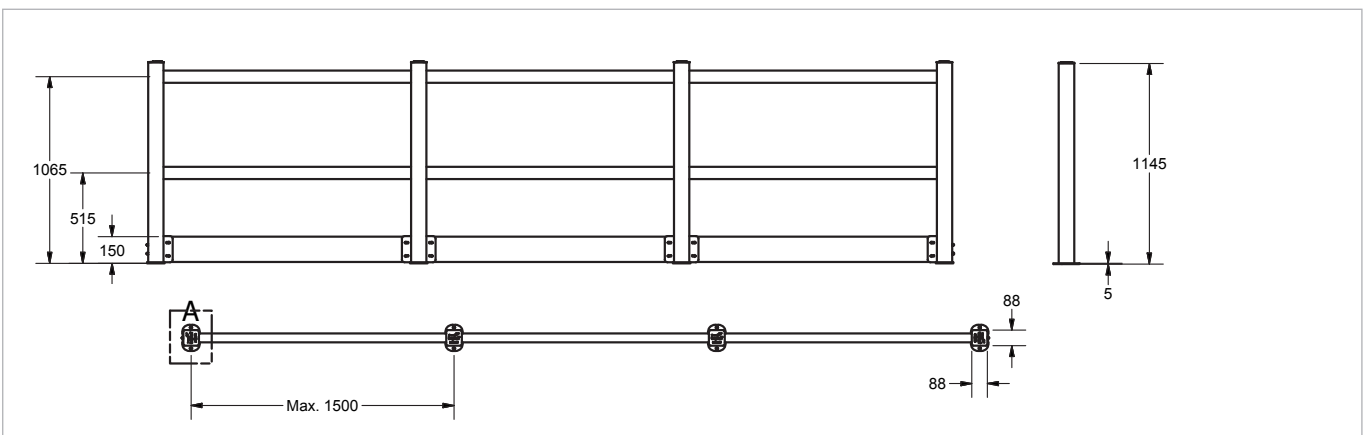
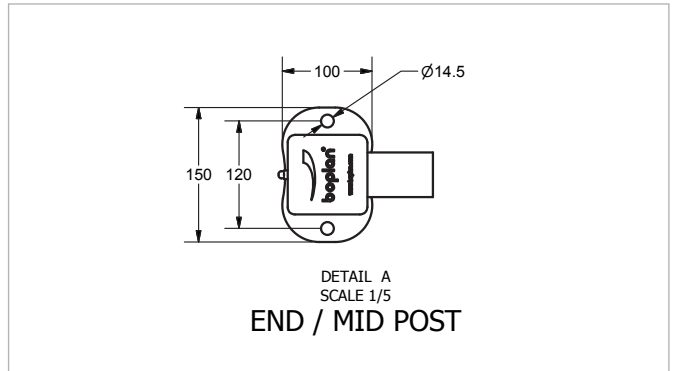
FEATURES AND FUNCTIONALITY

SIZE	
Height end posts	1150 mm
Height mid post	1150 mm
Standard rail length	Standard length: 1500 mm (center - center dimension)
Profile section handrail	50 mm x 70 mm (6 mm wall thickness)
Baseplate	150 mm x 100 mm (5 mm thick)
Profile section posts	88 mm x 88 mm (7.5 mm wall thickness)
Height skirting board	150 mm

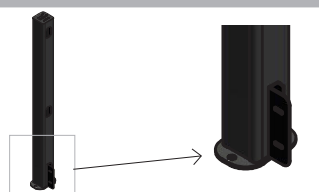

IMPACT PERFORMANCE	
HD mezza handrails are not intended for impact with fork lift trucks or other motorized vehicles.	

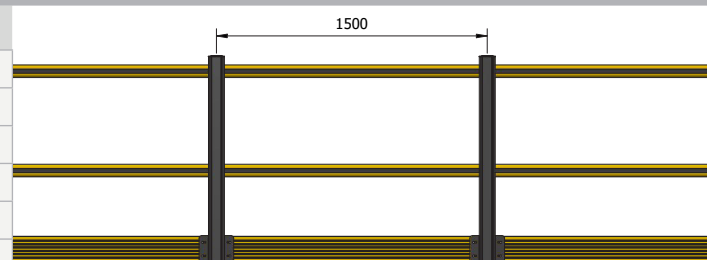
COMPLIANCE	
The HD LIGHT handrail fully complies with safety standard EN14122-3 chapter 7 and 8. => Strength of rails and posts tested and approved for use on heights by TUV Nord .	

REQUIREMENTS	
Concrete quality	minimum C25/30
Concrete floor plate thickness (mm)	minimum 150 mm
Concrete slab dimension around posts (mm)	400 (h) x 400 (w) x 300 (d)
Operational temperature	-10°C up to +40°C
Water and humidity	Steel (standard): dry indoor use only. Zinc coated : outdoor use in most environments. Stainless steel : outdoor use or frequent exposure to water and humidity.



REFERENCE LIST - HD MEZZA

HD MEZZA POSTS		
End post BL + Kick GRP End post BL + Kick GRP - ZC End post BL + Kick GRP - SS	HM0900-0001-EPBL HM0900-0001-EPBLZ HM0900-0001-EPBLS	
Mid post BL + Kick GRP Mid post BL + Kick GRP - ZC Mid post BL + Kick GRP - SS	HM0900-0001-MPBL HM0900-0001-MPBLZ HM0900-0001-MPBLS	

RAIL SETS (incl kick GRP)			
Center - Center length	YELLOW / BLACK	YELLOW	
500 mm	HM0900-0500-0001YB	HM0900-0500-0001YE	
750 mm	HM0900-0750-0001YB	HM0900-0750-0001YE	
1000 mm	HM0900-1000-0001YB	HM0900-1000-0001YE	
1250 mm	HM0900-1250-0001YB	HM0900-1250-0001YE	
1500 mm	HM0900-1500-0001YB	HM0900-1500-0001YE	
250-1499 mm	HM0901-1499-0001YB	HM0901-1499-0001YE	

CORNER RAIL SETS			
Corner rail set 90°	HM0900-0200-C90YB	HM0900-0200-C90YE	See drawings below
Corner rail set 135°	HM0900-0200-C45YB	HM0900-0200-C45YE	

