

CORNER PROTECTOR

COLUMN AND CORNER PROTECTION

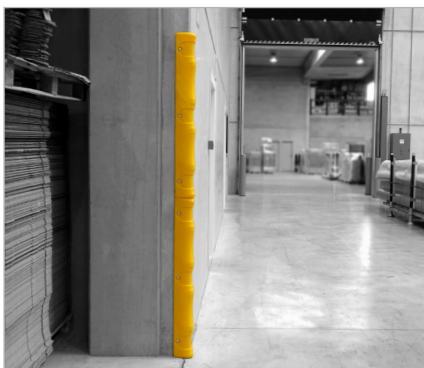
Revision: 3 June 2024 4:10 PM
Boplan reference: CP0100-1000-S101..



PRODUCT SPECIFICATIONS

APPLICATION	
Environment	Heavy duty corner protector. Protection of pillars and corners in department stores, car parks, warehouses, ... against manoeuvring pallet trucks and other vehicles. Not intended for vehicle impact
MATERIAL	
Corner protector	Polyethylene - UV resistant - Fire class E* - Non conductive - Impervious to most chemicals**
STANDARD COLOURS	
Column protector	Standard: Yellow RAL 1003 Also available in Black RAL 9005 (multicolour)
FIXATIONS	
Concrete screw ZC (included)	Length = 45 mm Size = Ø 7.5 mm Drill hole diameter = 6 mm Max load (pull out) = 2.0 kN Screw drive = Torx 30 (T30)
Velcro straps (not included)	Use multiple Corner Protectors around a pillar with velcro straps.
REQUIREMENTS	
Angle of corner	Between 85° and 100°
Environment	Indoor and outdoor use
Working Temperatures	-30°C up to +40°C

*Classification according to EN 13501-1:2007 +A1:2009 - Fire classification of construction products and building elements.
**Ask your local sales office for resistance to specific chemicals.



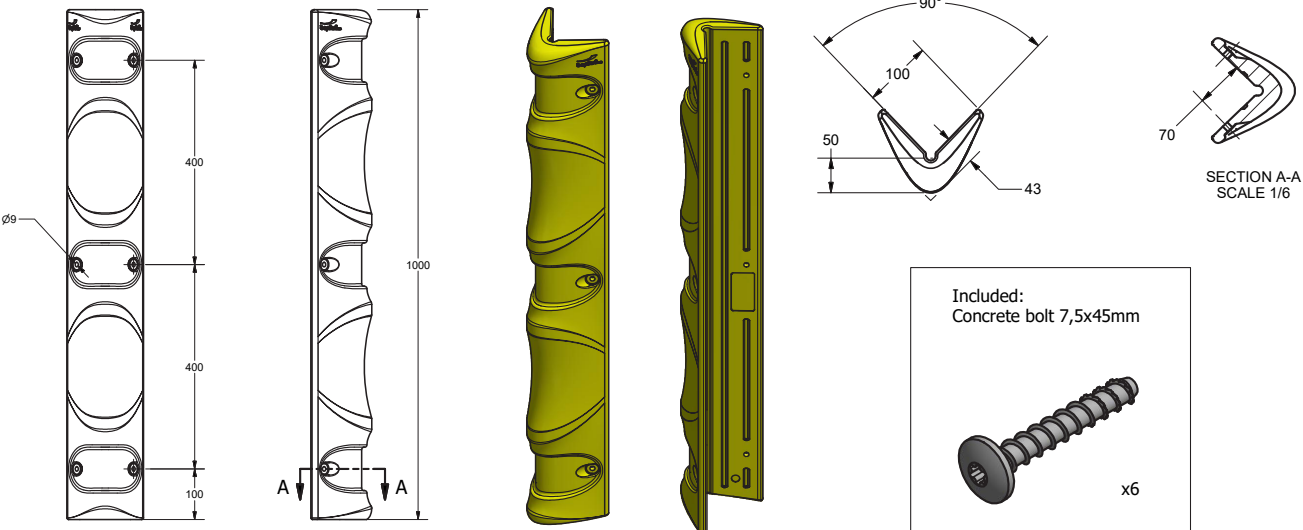
FEATURES AND FUNCTIONALITY - CORNER PROTECTOR

SIZE	
Outer diameter	140 mm x 140 mm
Inner dimension	100 mm x 100 mm
Weight	1.8 kg

IMPACT PERFORMANCE		
Test conditions	Ambient temperature Fork lift weight Success criteria	20°C 2300kg No permanent damage
90° impact	Maximum impact	500 Joule
45° impact	Maximum impact	500 Joule


REFERENCES PRODUCT - CORNER PROTECTOR

CP0100-1000-S101YE	CP0100-1000-S101BL
YELLOW	BLACK
	



Technical drawings showing the corner protector in yellow. The drawings include a front view with dimensions: 400 mm height for the top section, 400 mm height for the bottom section, and 100 mm width. A side view shows a total height of 1000 mm and a width of 100 mm. A perspective view shows the corner protector in yellow. A detail drawing shows a 90° angle with dimensions: 100 mm width, 50 mm height, and 43 mm depth. A section A-A is shown with a scale of 1/6 and a dimension of 70 mm.

Included:
Concrete bolt 7,5x45mm



x6