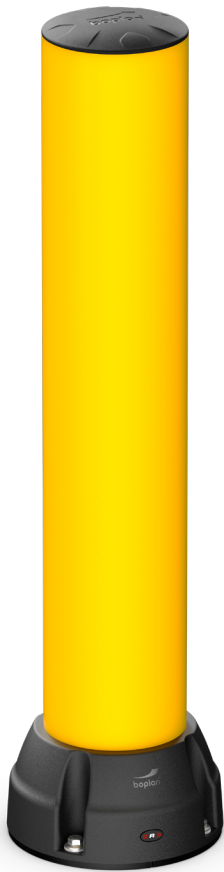


BO200R

BOLLARDS AND HEIGHT LIMITERS

Revision: 23 September 2024 8:28 AM
Boplan reference: BO200R...






Base Defender with Impact Button

PRODUCT SPECIFICATIONS

APPLICATION		
Environment	The BO200R, designed for areas prone to frequent impact risks like gates, access ways, corners, and machinery, ensures robust protection against collisions. Whether used as a free-standing bollard or combined with other Boplan products, like our traffic barrier systems, it showcases versatility in protective applications. With a 200mm tube diameter and a solid large base, it efficiently absorbs collision forces and keeps pallets at a certain distance from the bollard to protect hands and prevent injury. Suitable for both indoor and outdoor environments.	
Impact performance	10 200 Joule (Eq. to 3,8 ton - 5.1 mph)	
MATERIAL		
Tube	Extrilene® - UV resistant - Fire class E [*] - Non conductive - Impervious to most chemicals**	
Cap	Sustainable elastomer	
Base Defender	Sustainable elastomer	
Base Shield	Sustainable elastomer	
COLORS		
Bollard	Standard: Yellow RAL 1003 Also available in Black RAL 9005, Grey RAL 7042 and Red RAL 3020 (multicolor)	
Base Defender	Standard: Black RAL 9005	
OPTIONAL		
Base Shield	The optional Shield ensures additional protection to crucial internal components by deflecting ground level impacts. It will also increase display presence and hygiene by covering over the fixations.	
Sign Mark 200	Sign board used to display important messages. It is designed for a perfect fit and signs can easily be replaced with just a click.	
Sleeve	Polymer sleeve that can be slid over the bollard.	
Stripes	Colored reflective stripes providing a high level of visibility.	
BASEPLATES		
	Zinc Coated Steel	Stainless steel
Material	Steel 37	Stainless steel 304
Coating	Electroplated + Lacquered	No lacquer / No coating
Color	Mat black	Natural color

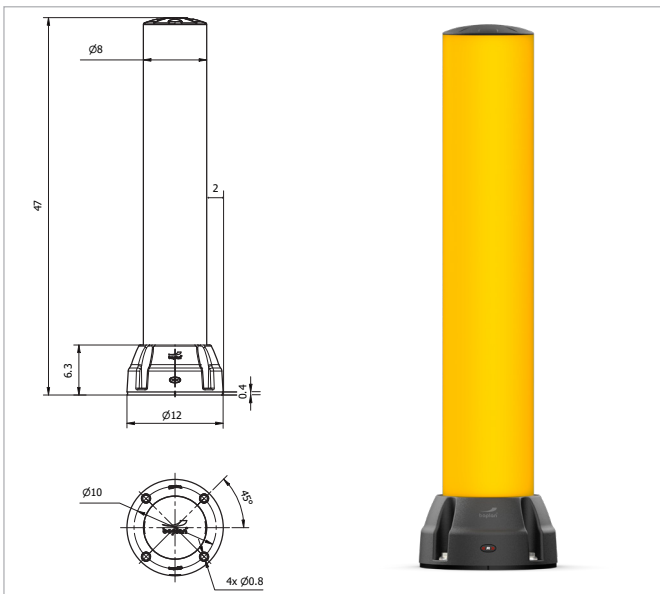
*Classification according to EN 13501-1:2007 +A1:2009 - Fire classification of construction products and building elements.
**Ask your local sales office for resistance to specific chemicals.

		FIXATIONS	
		ZC (Zinc coated)	SS (Stainless steel)
STANDARD	Concrete screw	 Ø17mm x 130mm	Not available
	Wedge anchor	 Ø18mm (M12) x 130mm	Ø18mm (M12) x 130mm
ALTERNATIVE	Asphalt anchor	 Bolt M16 x 50mm + Screw Ø22 x 100mm	Not available

FEATURES AND FUNCTIONALITY - B0200R

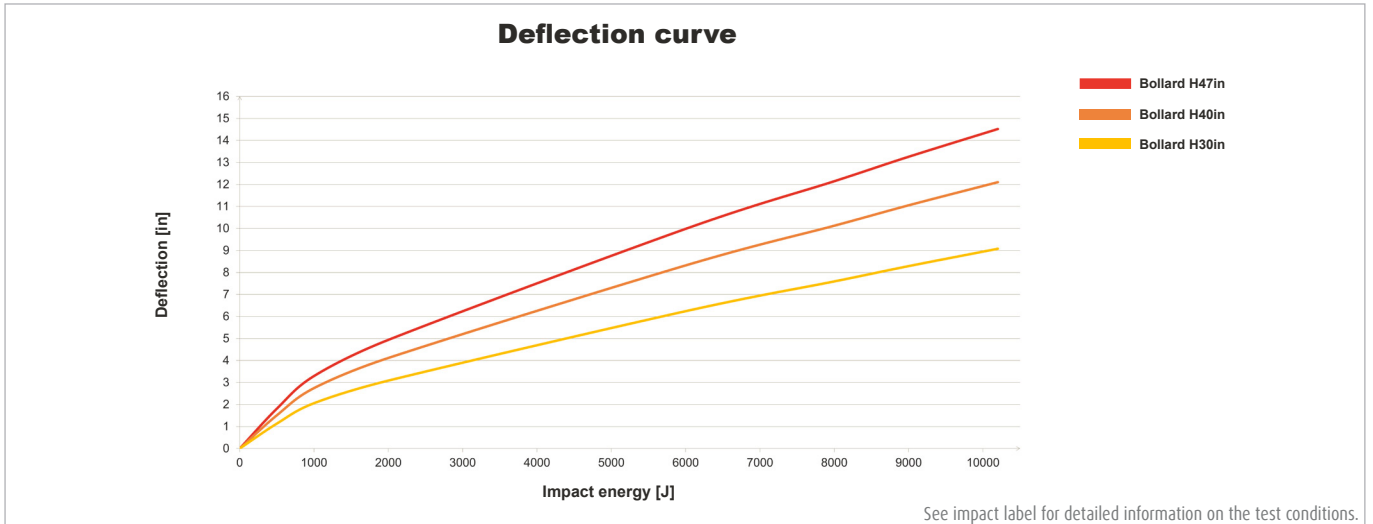
SIZE	
Height	18 in 24 in 30 in 40 in 47 in 47 - 60 in 63 - 79 in 83 - 98 in
Profile section post	Tube: Ø8 in (0.4 in thick)
Baseplate	Ø12 in (0.4 in thick)
Base Defender	Top: Ø8 in Base: Ø12 in Height: 6 in
Base Shield (optional)	Top: Ø8 in Base: Ø13 in Height: 7 in
Profile section rails (if used)	Rail 3.5 in x 3.5 in (0.3 in thick)
	Rail 2 in x 2.7 in (0.2 in thick)

REQUIREMENTS	
Concrete quality	minimum C25/30
Concrete floor plate thickness (in)	minimum 6 in
Concrete slab dimension around posts (in)	27.5 (h) x 27.5 (w) x 23.6 (d)
Operational temperature	14°F up to 104°F
Water and humidity	Zinc coated: Indoor and outdoor use in most environments.* Stainless steel: outdoor use or frequent exposure to water and humidity.





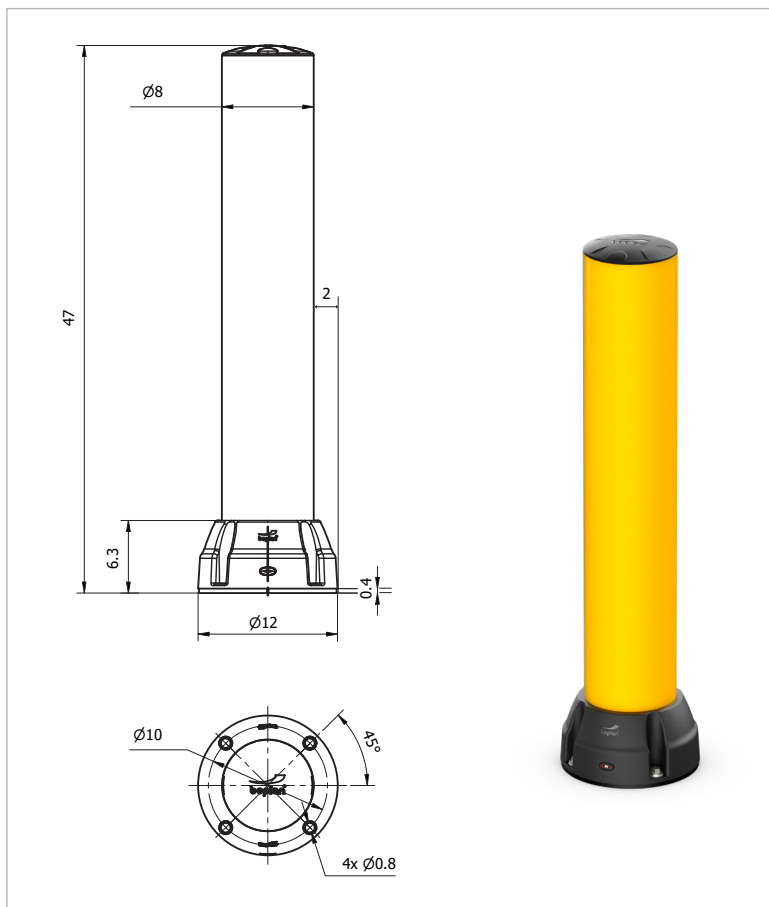
boplan		IMPACT LABEL FOR SAFETY BARRIERS	
BOPLAN B0200R			
IMPACT RATING			
E50	< 50 kJ		
E40	< 40 kJ		
E30	< 30 kJ		
E25	< 25 kJ		
E20	< 20 kJ		
E15	< 15 kJ		
E12	< 12 kJ		
E10	< 10 kJ		
E7	< 7.5 kJ		
E5	< 5.0 kJ		
E2	< 2.5 kJ		
E1	< 1.0 kJ		
IMPACT RESULTS		SUCCESS CRITERIA	
Deflection: α = 17,9° At maximum impact energy D= 368.8 mm / 25.1 inch		VEHICLE STOPPED ASI (ACCELERATION SEVERITY INDEX) <0.5	
TEST CONDITIONS		BOPLAN TEST LAB	
TEMPERATURE: 20°C / 68°F IMPACT HEIGHT: 300 mm / 47.2 Inch -> D: 368.8 mm / 25.1 Inch -> α: 17.9° TEST FLOOR: CONCRETE SLAB C25/30 - 150 mm / 6 Inch		Muizelstraat 12 8560 Moorsele Belgium 	
TEST VEHICLE:		IL-B0200R-20240209	
TYPE: BOPLAN IMPACT TEST VEHICLE WEIGHT: 3775 Kg / 8322.45 lbs SIZE (L x W x h): 3100 x 1100 x 1150 mm / 122 x 43 1/4 x 45 1/4 Inch CONTACT AREA, STEEL BUMPER WIDTH: 1000 mm / 39 1/4 Inch			

FEATURES AND FUNCTIONALITY - B0200R



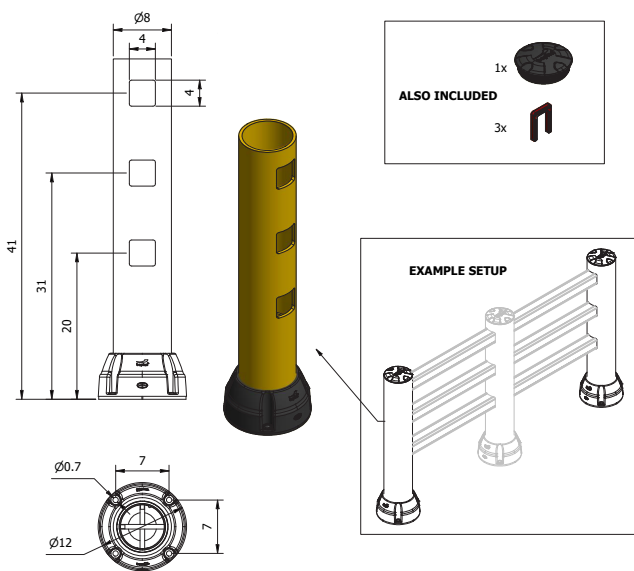
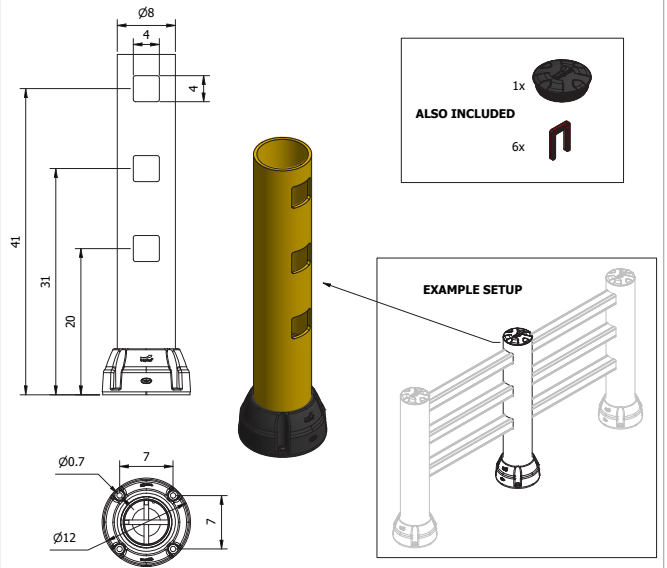
REFERENCE LIST - BO200R

	ZINC COATED (ZC)		STAINLESS STEEL (SS)	
	YELLOW	MULTICOLOR 	YELLOW	MULTICOLOR 
18 in	BO200R0-0450-0001YEZ	BO200R0-0450-0001MCZ	BO200R0-0450-0001YES	BO200R0-0450-0001MCS
24 in	BO200R0-0600-0001YEZ	BO200R0-0600-0001MCZ	BO200R0-0600-0001YES	BO200R0-0600-0001MCS
30 in	BO200R0-0750-0001YEZ	BO200R0-0750-0001MCZ	BO200R0-0750-0001YES	BO200R0-0750-0001MCS
40 in	BO200R0-1000-0001YEZ	BO200R0-1000-0001MCZ	BO200R0-1000-0001YES	BO200R0-1000-0001MCS
47 in	BO200R0-1200-0001YEZ	BO200R0-1200-0001MCZ	BO200R0-1200-0001YES	BO200R0-1200-0001MCS
47 - 60 in	BO200R1-1525-0001YEZ	BO200R1-1525-0001MCZ	BO200R1-1525-0001YES	BO200R1-1525-0001MCS
63 - 79 in	BO200R1-2000-0001YEZ	BO200R1-2000-0001MCZ	BO200R1-2000-0001YES	BO200R1-2000-0001MCS
83 - 98 in	BO200R1-2500-0001YEZ	BO200R1-2500-0001MCZ	BO200R1-2500-0001YES	BO200R1-2500-0001MCS



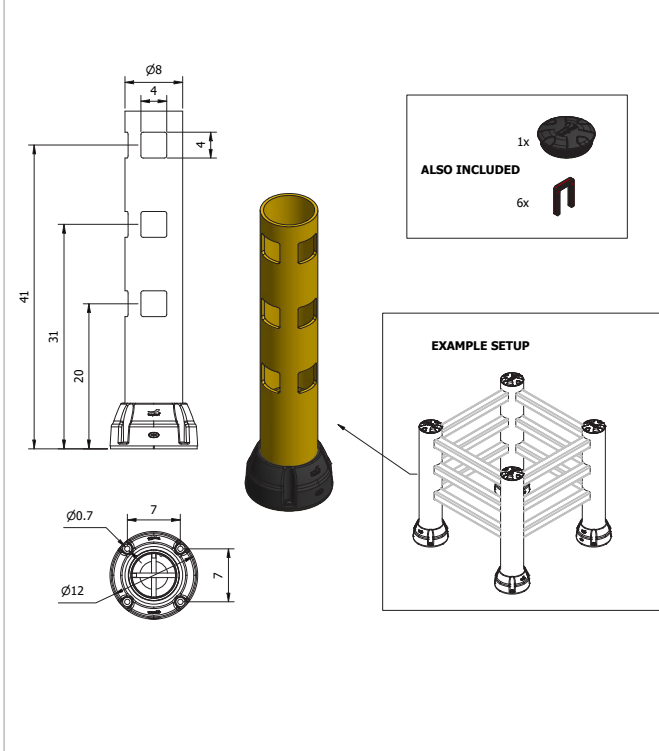
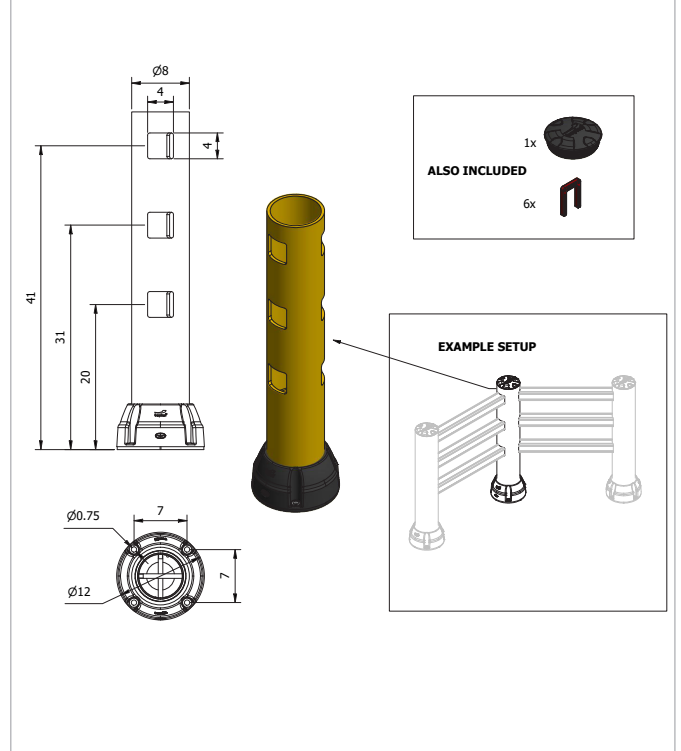
REFERENCE LIST BO200R
BOLLARD POSTS EP/MP - with rails 88

	ENDPOST (EP)		MIDPOST (MP)	
	ZINC COATED (ZC)		ZINC COATED (ZC)	
	YELLOW		YELLOW	
2R	47 in	BO200R0-1200-E208YEZ		BO200R0-1200-M208YES
	47 - 60 in	BO200R1-1525-E208YEZ		BO200R1-1525-M208YES
3R	47 in	BO200R0-1200-E308YEZ		BO200R0-1200-M308YES
	47 - 60 in	BO200R1-1525-E308YEZ		BO200R1-1525-M308YES

End post 3R

Mid post 3R


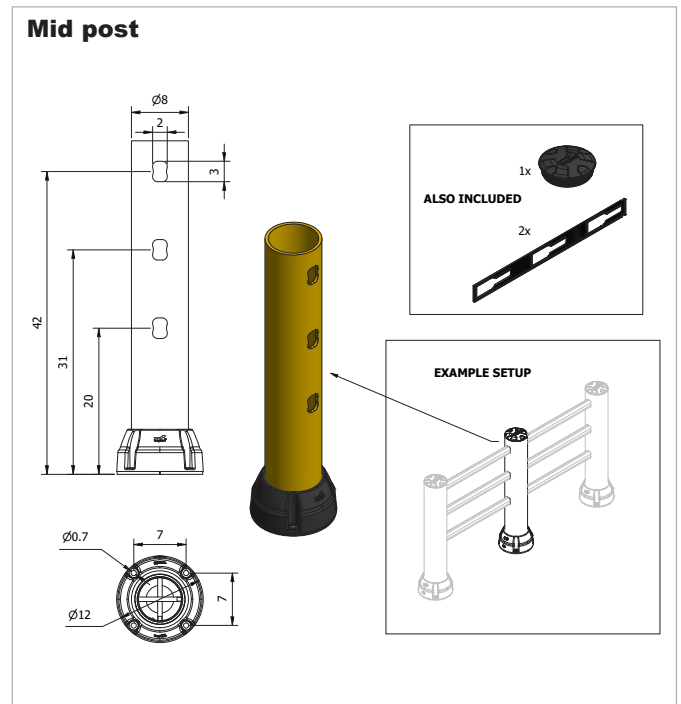
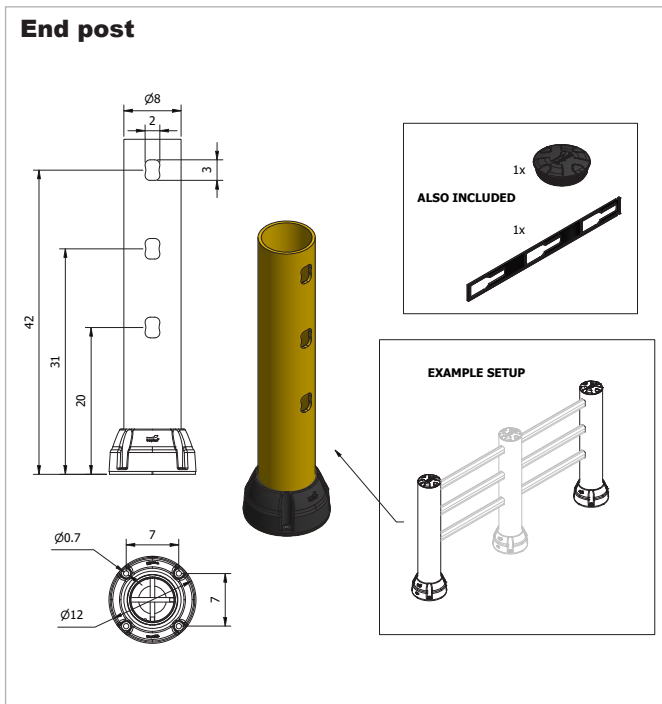
REFERENCE LIST BO200R
BOLLARD CORNER POSTS (90/45°) - with rails 88

		CORNER POST 90° (CP)	CORNER POST 45° (CP)
		ZINC COATED (ZC)	ZINC COATED (ZC)
		YELLOW	YELLOW
2R	47 in	BO200R0-1200-C298YEZ	BO200R0-1200-C248YEZ
	47 - 60 in	BO200R1-1525-C298YEZ	BO200R1-1525-C248YEZ
3R	47 in	BO200R0-1200-C398YEZ	BO200R0-1200-C348YEZ
	47 - 60 in	BO200R1-1525-C398YEZ	BO200R1-1525-C348YEZ

Corner post 90° 3R

Corner post 90° 3R


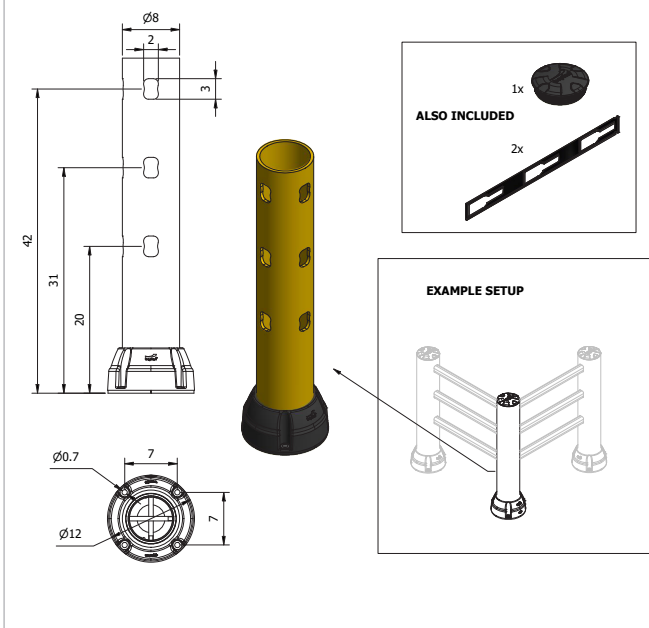
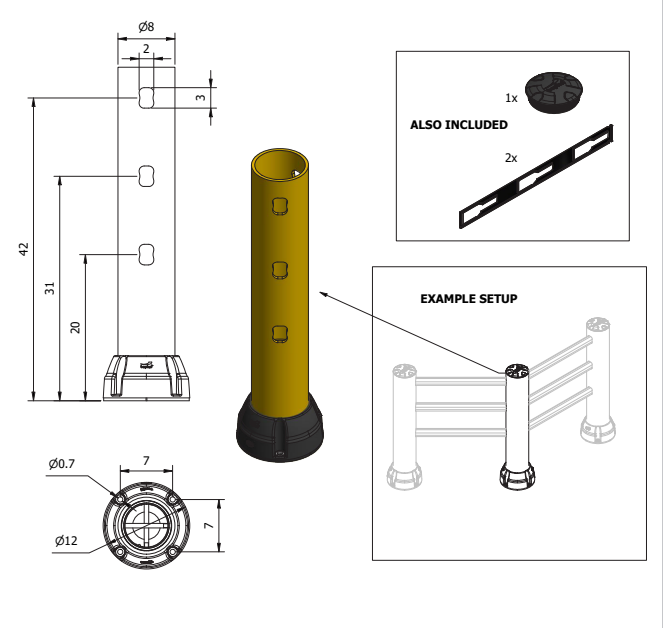
REFERENCE LIST - BO200R
BOLLARD POSTS (EP/MP) - with handrails R50

		ENDPOST (EP)		MIDPOST (MP)		
		ZINC COATED (ZC)	STAINLESS STEEL (SS)	ZINC COATED (ZC)	STAINLESS STEEL (SS)	
		YELLOW	YELLOW	YELLOW	YELLOW	
HP	2R	47 in	BO200R0-1200-E205HYZ	BO200R0-1200-E205HYS	BO200R0-1200-M205HYZ	BO200R0-1200-M205HYS
		47 - 60 in	BO200R1-1525-E205HYZ	BO200R1-1525-E205HYS	BO200R1-1525-M205HYZ	BO200R1-1525-M205HYS
		63 - 79 in	BO200R1-2000-E205HYZ	BO200R1-2000-E205HYS	BO200R1-2000-M205HYZ	BO200R1-2000-M205HYS
		83 - 98 in	BO200R1-2500-E205HYZ	BO200R1-2500-E205HYS	BO200R1-2500-M205HYZ	BO200R1-2500-M205HYS
	3R	47 in	BO200R0-1200-E305YEZ	BO200R0-1200-E305YES	BO200R0-1200-M305YEZ	BO200R0-1200-M305YES
		47 - 60 in	BO200R1-1525-E305YEZ	BO200R1-1525-E305YES	BO200R1-1525-M305YEZ	BO200R1-1525-M305YES
		63 - 79 in	BO200R1-2000-E305YEZ	BO200R1-2000-E305YES	BO200R1-2000-M305YEZ	BO200R1-2000-M305YES
		83 - 98 in	BO200R1-2500-E305YEZ	BO200R1-2500-E305YES	BO200R1-2500-M305YEZ	BO200R1-2500-M305YES
TB	2R	47 in	BO200R0-1200-E205TYZ	BO200R0-1200-E205TYS	BO200R0-1200-M205TYZ	BO200R0-1200-M205TYS
		47 - 60 in	BO200R1-1525-E205TYZ	BO200R1-1525-E205TYS	BO200R1-1525-M205TYZ	BO200R1-1525-M205TYS
		63 - 79 in	BO200R1-2000-E205TYZ	BO200R1-2000-E205TYS	BO200R1-2000-M205TYZ	BO200R1-2000-M205TYS
		83 - 98 in	BO200R1-2500-E205TYZ	BO200R1-2500-E205TYS	BO200R1-2500-M205TYZ	BO200R1-2500-M205TYS



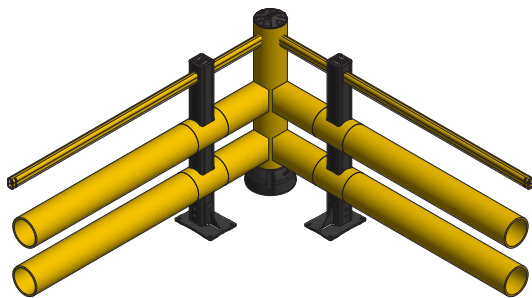
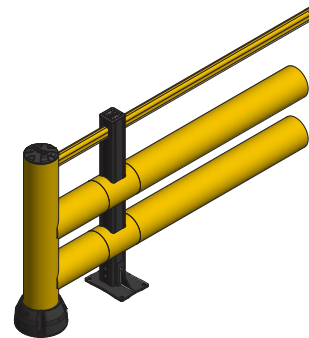
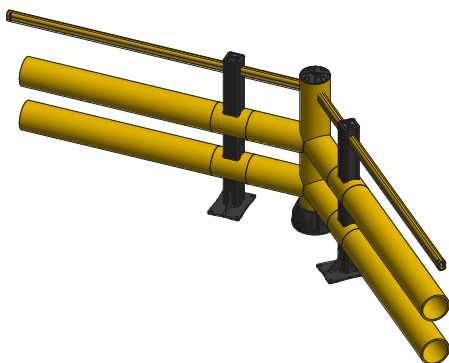
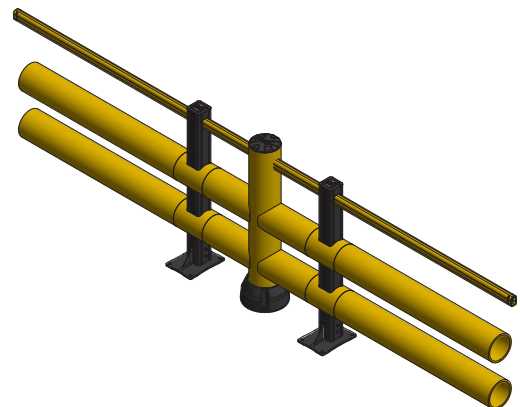
REFERENCE LIST - BO200R
BOLLARD CORNER POSTS (90°/45°) - with handrails R50

		CORNER POST 90° (EP)		CORNER POST 45° (EP)		
		ZINC COATED (ZC)	STAINLESS STEEL (SS)	ZINC COATED (ZC)	STAINLESS STEEL (SS)	
		YELLOW	YELLOW	YELLOW	YELLOW	
HP	2R	47 in	BO200R0-1200-C295HYZ	BO200R0-1200-C295HYS	BO200R0-1200-C245HYZ	BO200R0-1200-C245HYS
		47 - 60 in	BO200R1-1525-C295HYZ	BO200R1-1525-C295HYS	BO200R1-1525-C245HYZ	BO200R1-1525-C245HYS
		63 - 79 in	BO200R1-2000-C295HYZ	BO200R1-2000-C295HYS	BO200R1-2000-C245HYZ	BO200R1-2000-C245HYS
		83 - 98 in	BO200R1-2500-C295HYZ	BO200R1-2500-C295HYS	BO200R1-2500-C245HYZ	BO200R1-2500-C245HYS
	3R	47 in	BO200R0-1200-C395YEZ	BO200R0-1200-C395YES	BO200R0-1200-C345YEZ	BO200R0-1200-C345YES
		47 - 60 in	BO200R1-1525-C395YEZ	BO200R1-1525-C395YES	BO200R1-1525-C345YEZ	BO200R1-1525-C345YES
		63 - 79 in	BO200R1-2000-C395YEZ	BO200R1-2000-C395YES	BO200R1-2000-C345YEZ	BO200R1-2000-C345YES
		83 - 98 in	BO200R1-2500-C395YEZ	BO200R1-2500-C395YES	BO200R1-2500-C345YEZ	BO200R1-2500-C345YES
TB	2R	47 in	BO200R0-1200-C295TYZ	BO200R0-1200-C295TYS	BO200R0-1200-C245TYZ	BO200R0-1200-C245TYS
		47 - 60 in	BO200R1-1525-C295TYZ	BO200R1-1525-C295TYS	BO200R1-1525-C245TYZ	BO200R1-1525-C245TYS
		63 - 79 in	BO200R1-2000-C295TYZ	BO200R1-2000-C295TYS	BO200R1-2000-C245TYZ	BO200R1-2000-C245TYS
		83 - 98 in	BO200R1-2500-C295TYZ	BO200R1-2500-C295TYS	BO200R1-2500-C245TYZ	BO200R1-2500-C245TYS

Corner post 90° 3R

Corner post 45° 3R


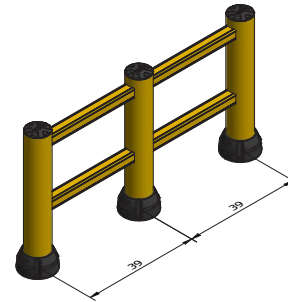
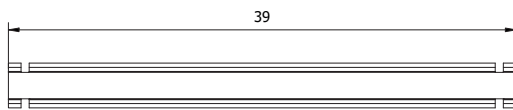
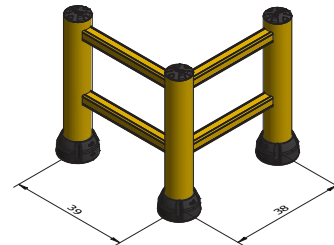
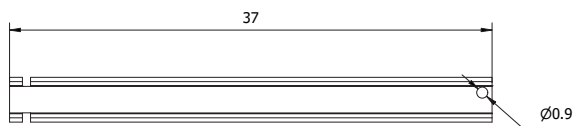
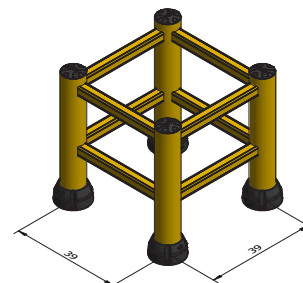
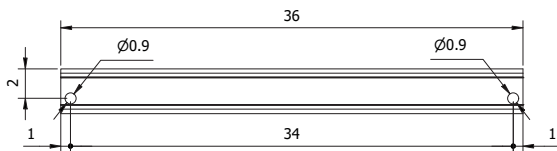
REFERENCE LIST - BO200R
BOLLARD POSTS (Corner 90°-45°/EP/MP) - with handrails R50

		CORNER POST 90° (EP)	CORNER POST 45° (EP)	END POST	MID POST	
		ZINC COATED (ZC)				
		YELLOW				
DP	1R	47 in	BO200R0-1200-C145DYZ	BO200R1-1525-C2195DYZ	BO200R0-1200-E105DYZ	BO200R1-2000-M105DYZ
		47 - 60 in	BO200R1-1525-C145DYZ	BO200R0-1200-C195DYZ	BO200R1-2000-E105DYZ	BO200R0-1200-M105DYZ
		63 - 79 in	BO200R1-2000-C145DYZ	BO200R1-2000-C195DYZ	BO200R1-1525-E105DYZ	BO200R1-2500-M105HYZ
		83 - 98 in	BO200R1-2500-C145DYZ	BO200R1-2500-C195DYZ	BO200R1-2500-E105DYZ	BO200R1-1525-M205DYZ

Corner post 90° 1R

End post 1R

Corner post 45° 1R

Mid post 1R


REFERENCE LIST - B0200R
BOLLARD RAILS (R88)

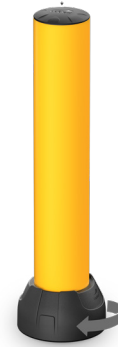
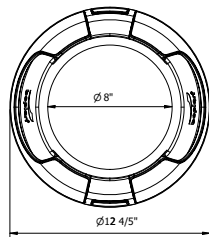
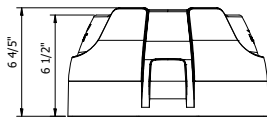
		Standard rail		Non - Standard rail	
		40 in		12 - 47 in	47 - 69 in
2R (R88)	Rail - YE	BR1880-1000-S200YE		BR1881-1200-S200YE	BR1881-1750-S200YE
	Corner rail 90° - 1C 45° - YE	BR1880-1000-S21CYE		BR1881-1200-S21CYE	BR1881-1750-S21CYE
	Corner rail 90° - 2C 45° - YE	BR1880-1000-S22CYE		BR1881-1200-S22CYE	BR1881-1750-S22CYE
3R (R88)	Rail - YE	BR1880-1000-S300YE		BR1881-1200-S300YE	BR1881-1750-S300YE
	Corner rail 90° - 1C 45° - YE	BR1880-1000-S31CYE		BR1881-1200-S31CYE	BR1881-1750-S31CYE
	Corner rail 90° - 2C 45° - YE	BR1880-1000-S32CYE		BR1881-1200-S32CYE	BR1881-1750-S32CYE

STANDARD RAIL

STANDARD CORNER RAIL 90° - 1 X CORNER

STANDARD CORNER RAIL 90° - 2 X CORNER


REFERENCE LIST - BO200R
Base Shield (OPTIONAL, NOT INCLUDED)

Ø8 in

BP2000-0175-0001BL



BO200F with optional Base Shield.

Sleeve (OPTIONAL, NOT INCLUDED)

Bollard

YELLOW

MULTICOLOR

47 in

BS2250-1005-0001YE

BS2250-1005-0001MC

40 in

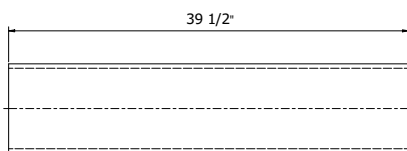
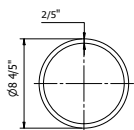
BS2250-0805-0001YE

BS2250-0905-0001MC

30 in

BS2250-0555-0001YE

BS2250-0555-0001MC



BO200R with optional Sleeve and Base Shield.

REFERENCE LIST - B0200R

STRIPES *			
	Black	White	Yellow
1 STRIPE	PA0300-0200-0001BL	PA0300-0200-0001WH	PA0300-0200-0001YE
2 STRIPES	PA0300-0200-0002BL	PA0300-0200-0002WH	PA0300-0200-0002YE
3 STRIPES	PA0300-0200-0003BL	PA0300-0200-0003WH	PA0300-0200-0003YE
			

* Remark: Stripes cannot be ordered separately

BOLLARD WITH STRIPES INCLUDED			
	Black	White	Yellow
1 STRIPE			
2 STRIPES			