

# TB 260 PLUS

## SAFETY BARRIERS

Revision: 30 May 2024 5:04 PM  
Boplan reference: TP2600-...




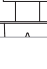

### PRODUCT SPECIFICATIONS

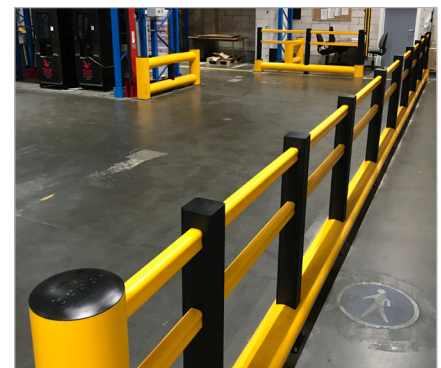
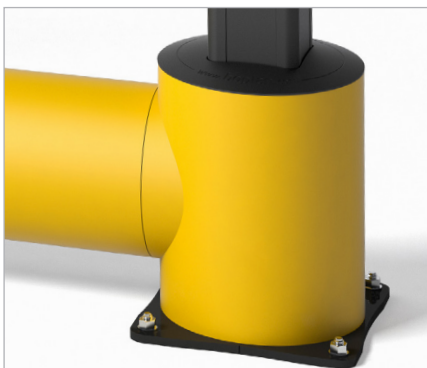
APPLICATION			
Environment	The TB 260 Plus is used for creating walkways and protecting pedestrians from pallet trucks, lift trucks, forklifts or other vehicles. The lower tube prevents goods or pallets sliding under the barriers and hitting pedestrians or causing damage to machines or equipment.		
Impact performance at 90°	POST: 12000 Joule (Eq. to 5ton - 7.9 km/h)		
	RAIL: 21200 Joule (Eq. to 5ton - 10.5 km/h)		
MATERIAL			
Posts and rails	Extrilene® - UV resistant - Fire class E <sup>+</sup> - Non conductive - Impervious to most chemicals <sup>**</sup>		
Caps	Sustainable elastomer		
STANDARD COLOURS			
End post	Black RAL 9005		
Mid post	Black RAL 9005		
Impact tube	Yellow RAL 1003		
Handrails	Yellow RAL 1003		
BASEPLATES			
	Steel	Zinc Coated Steel	Stainless steel
Material	Steel 37	Steel 37	Stainless steel 304
Coating	Lacquered	Electroplated + Laquered	No lacquer / No coating
Colour	High gloss black	Mat black	Natural colour

\*Classification according to EN 13501-1:2007 +A1:2009 - Fire classification of construction products and building elements.

\*\*Ask your local sales office for resistance to specific chemicals.

### FIXATIONS

			ZC (Zinc coated)	SS (Stainless steel)
STANDARD	Wedge anchor		M12 x 110mm	M12 x 120mm
	Anchor rod (Chemical)		M12 x 120mm + Chemical resin	M12 x 120mm + Chemical resin
ALTERNATIVES	Concrete screw		Ø12mm x 100mm	Not available
	Asphalt anchor		Bolt M10 x 40mm + Screw Ø16mm	Not available
	Spit anchor		Bolt M12 x 100mm + Plug Ø20mm	Not available



**FEATURES AND FUNCTIONALITY - TB 260 PLUS**

SIZE	
Height end posts	1150 mm
Height mid post	1150 mm
Profile section tubes	Ø200 mm (11 mm thick)
Profile section handrails	50 mm x 70 mm (6 mm thick)
Profile section end posts	Outer tube: Ø250 mm (11 mm thick) Inner profile: 112 mm x 112 mm (10 mm thick)
Profile section mid posts	Profile: 112 mm x 112 mm (10 mm thick)
Standard rail length	1350 mm (other sizes: 750 mm - 1750 mm)
Baseplate	End Post: 275 mm x 275 mm x (10 mm thick) Mid Post: 180 mm x 180 mm x (10 mm thick)

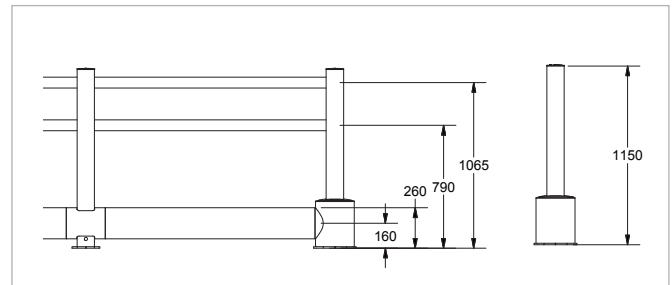
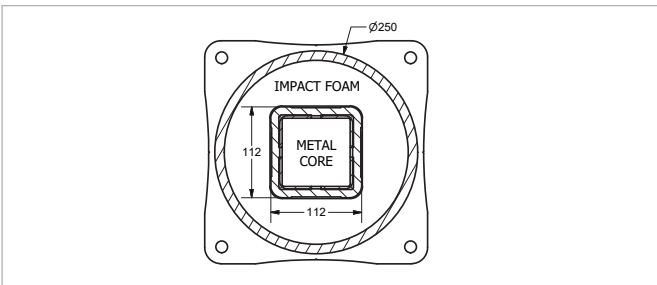
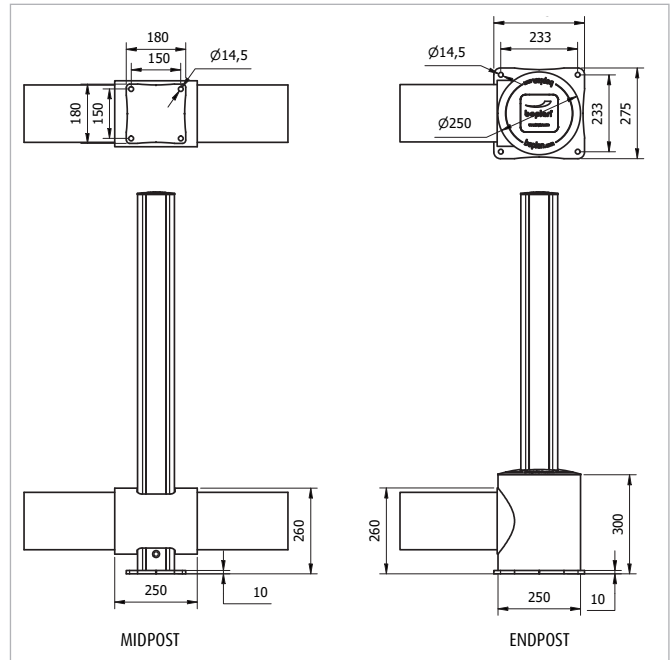
REQUIREMENTS	
Concrete quality	minimum C25/30
Concrete floor plate thickness (mm)	minimum 150 mm
Concrete slab dimension around posts (mm)	600 (h) x 600 (w) x 300 (d)
Operational temperature	-10°C up to +40°C
Water and humidity	<b>Steel (standard):</b> dry indoor use only. <b>Zinc coated:</b> outdoor use in most environments. <b>Stainless Steel:</b> outdoor use or frequent exposure to water and humidity.

**boplan** **IMPACT LABEL FOR SAFETY BARRIERS**

BOPLAN TB 260 PLUS		
IMPACT RATING	45°	90° <small>PAS 13:2017 compliant</small>
E80 > 80 kJ		
E60 > 60 kJ		
E50 > 50 kJ		
E40 > 40 kJ		
E35 > 35 kJ	<b>30,0 kJ</b>	
E30 > 30 kJ		
E25 > 25 kJ		<b>21,2 kJ</b>
E20 > 20 kJ		
E15 > 15 kJ		
E10 > 10 kJ		
E5 > 5,0 kJ		
E2 > 2,5 kJ		

<b>TEST CONDITIONS</b> <small>TEMPERATURE: 20°C                      IMPACT HEIGHT: 160 mm                      IMPACT ANGLE: 90°                      TEST FLOOR: CONCRETE C25/30 - 160 mm                      MANUFACTURER ANCHOR PULL OUT: 7,9 kN</small>	<b>TEST VEHICLE</b> <small>WEIGHT: 2300 KG                      TYPE: COMMERCIAL FORK LIFT                      SIZE (L x W x h): 1890 x 1020 x 1970 mm                      CONTACT AREA: STEEL BUMPER WIDTH: 600 mm</small>	<b>ACCREDITED TEST LABORATORY</b> <small>620 Route des Fromentaux                      01500 Saint-Maurice-de-Rémens                      01360 Bèlignieux                      France</small>
--	--	---

**SUCCESS CRITERIA** VEHICLE STOPPED - ASI (ACCELERATION SEVERITY INDEX) < 0.5



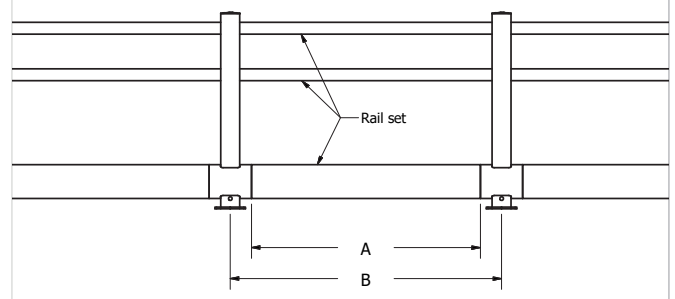
**REFERENCE LIST - TB 260 PLUS**

POSTS		
End post End post - ZC End post - SS	TP2600-0001-EPYE TP2600-0001-EPYEZ TP2600-0001-EPYES	
Mid post Mid post - ZC Mid post - SS	TP2600-0001-MPYE TP2600-0001-MPYEZ TP2600-0001-MPYES	
T end post* T end post - ZC* T end post - SS*	TP2600-0001-TPYE TP2600-0001-TPYEZ TP2600-0001-TPYES	
Corner post - 90° - Up Corner post - 90° - Up - ZC Corner post - 90° - Up - SS	TP2600-0001-CPUYE TP2600-0001-CPUYEZ TP2600-0001-CPUYES	
Corner post - 90° - Down Corner post - 90° - Down - ZC Corner post - 90° - Down - SS	TP2600-0001-CPDYE TP2600-0001-CPDYEZ TP2600-0001-CPDYES	

\* 2 caps included to close handrail hole

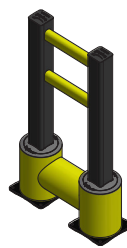
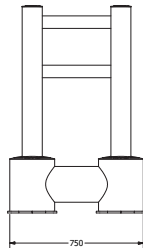
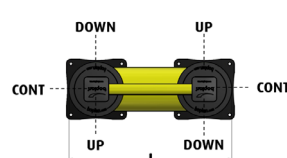
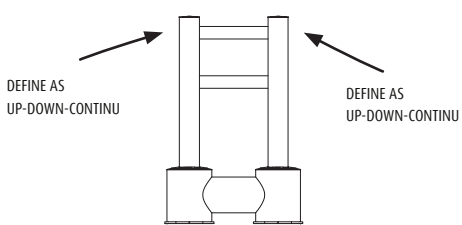
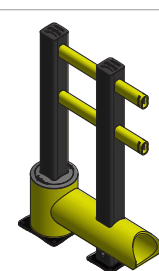
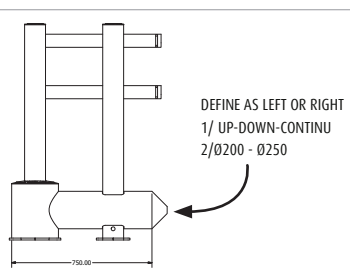
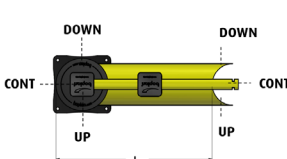
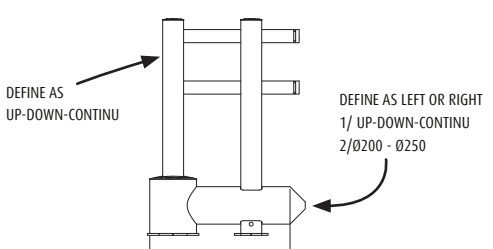
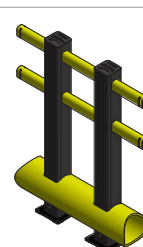
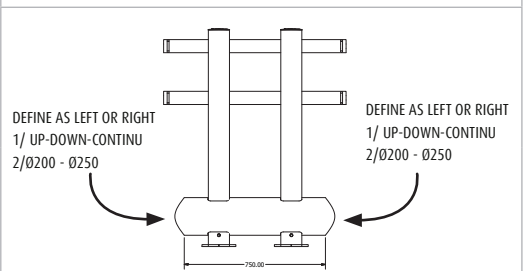
CURVES		
Conn.tube Ø200 Curve 350mm - YE	TP2600-0350-C200YE	
Conn.tube Ø200 - 45° Curve 350mm - YE	TP2600-0350-C204YE	
Conn.tube Ø200 - 90° Curve 350mm - YE	TP2600-0350-C209YE	
Conn.tube Ø250 Curve 350mm - YE	TP2600-0350-C250YE	
Conn.tube Ø250 - 90° Curve 350mm - YE	TP2600-0350-C259YE	

RAIL SETS			
	Tube length (A)	CC length (B)	Reference
Standard rail	750 mm	1000 mm	TP2600-0750-1000YE
Standard rail	950 mm	1200 mm	TP2600-0950-1200YE
Standard rail	1150 mm	1400 mm	TP2600-1150-1400YE
Standard rail	1350 mm	1600 mm	TP2600-1350-1600YE
Standard rail	1550 mm	1800 mm*	TP2600-1550-1800YE
Standard rail	1750 mm	2000 mm*	TP2600-1750-2000YE
Short rail	600-1349 mm	850-1599 mm	TP2609-1599-SRYE
Long rail	1351-1749 mm	1601-2000 mm*	TP2609-2000-LRYE

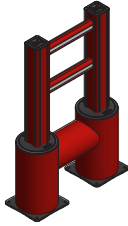
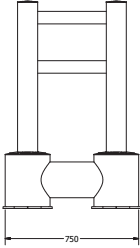


\* The impact performance has not been tested for tube lengths > 1600 mm. Only use these lengths for non-critical applications.

**REFERENCE LIST - TB 260 PLUS**

FIXED UNITS						
TYPE	LENGTH	BASE	REFERENCE YE			
no curves	Endpost	750 mm	Steel ZC SS	TP2600-0750-FUYE TP2600-0750-FUYEZ TP2600-0750-FUYES		
		751-1750 mm	Steel ZC SS	TP2601-1750-FUYE TP2601-1750-FUYEZ TP2601-1750-FUYES		
	Post <i>Up</i> <i>Down</i> <i>Continu</i>	750 mm	Steel ZC SS	TP2602-0750-FUYE TP2602-0750-FUYEZ TP2602-0750-FUYES		
		751-1750 mm	Steel ZC SS	TP2602-1750-FUYE TP2602-1750-FUYEZ TP2602-1750-FUYES		
1 curve	Endpost	750 mm	Steel ZC SS	TP2600-0750-FU1CYE TP2600-0750-FU1CYEZ TP2600-0750-FU1CYES		
		751-1750 mm	Steel ZC SS	TP2601-1750-FU1CYE TP2601-1750-FU1CYEZ TP2601-1750-FU1CYES		
	Post <i>Up</i> <i>Down</i> <i>Continu</i>	750 mm	Steel ZC SS	TP2602-0750-FU1CYE TP2602-0750-FU1CYEZ TP2602-0750-FU1CYES		
		751-1750 mm	Steel ZC SS	TP2602-1750-FU1CYE TP2602-1750-FU1CYEZ TP2602-1750-FU1CYES		
2 curves	-	750 mm	Steel ZC SS	TP2600-0750-FU2CYE TP2600-0750-FU2CYEZ TP2600-0750-FU2CYES		
		751-1750 mm	Steel ZC SS	TP2601-1750-FU2CYE TP2601-1750-FU2CYEZ TP2601-1750-FU2CYES		

**REFERENCE LIST - TB 260 PLUS**
**FIXED UNITS**

TYPE	LENGTH	BASE	REFERENCE RE			
no curves	Endpost	750 mm	Steel	TP2600-0750-FURE		
		751-1750 mm	Steel	TP2601-1750-FURE		