

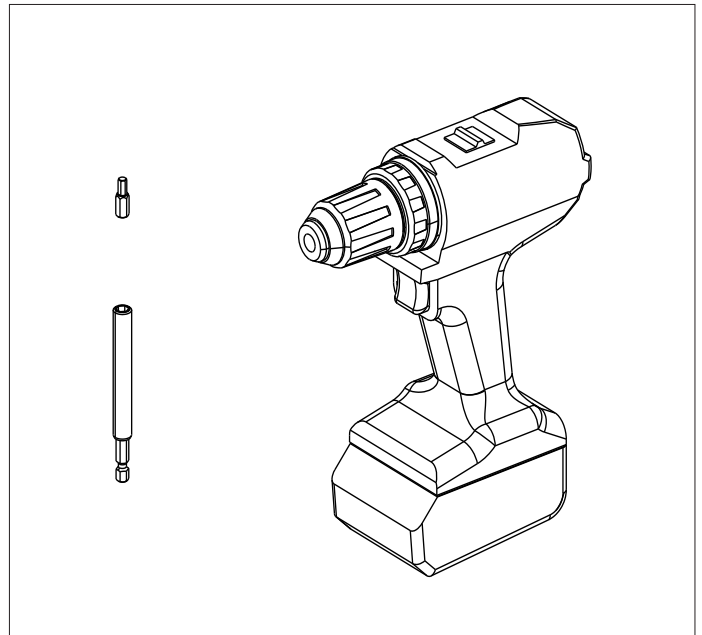
SWING GATE

INSTALLATION SHEET

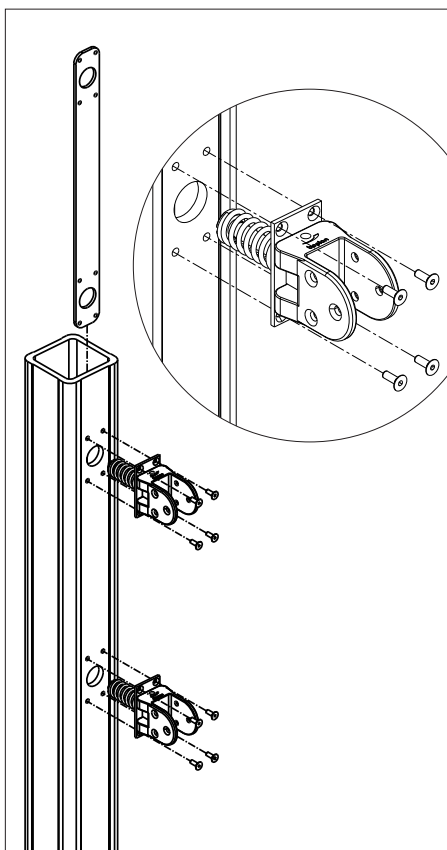
SG1100- (0700>2000) -0001BY (ZC/SS)



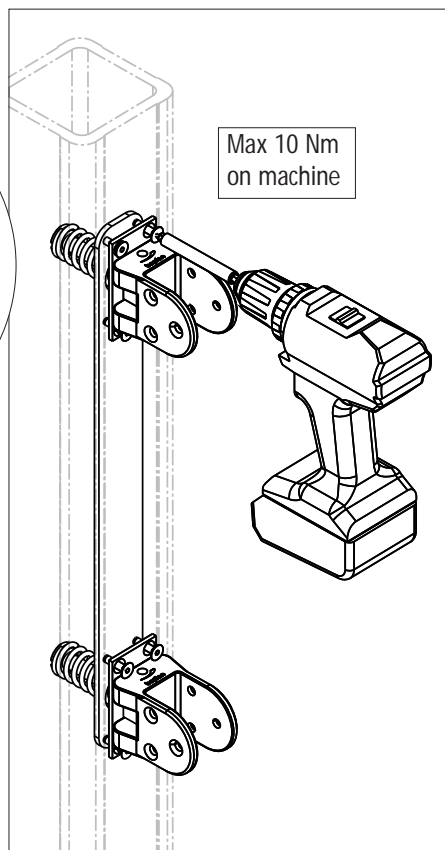
How to install Swing Gate 700 > 2000



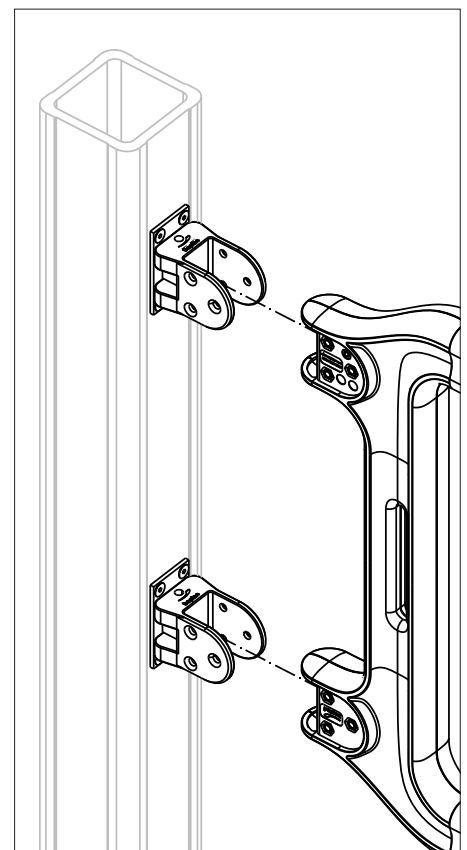
Required Tools : driver drill with allen key bit, extension preferred



1 Place fixing plate and hinge



2 Tighten the bolts gently to prefixate



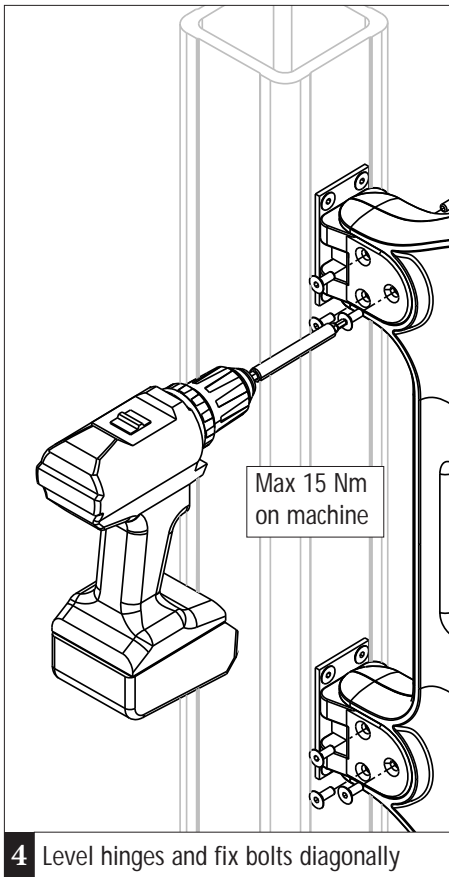
3 Place pre-assembled Swing Gate



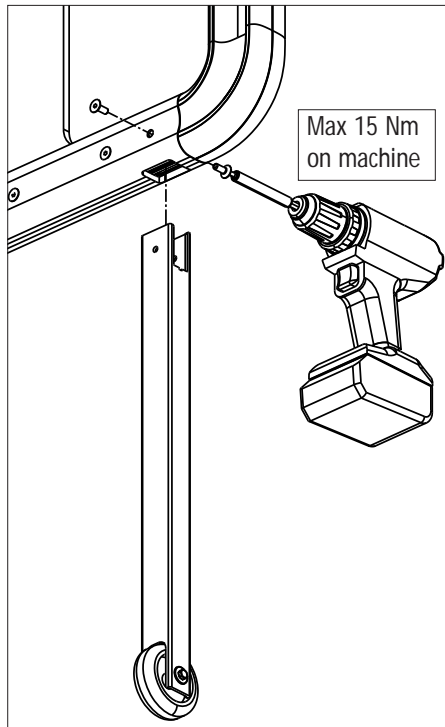
For more information, please visit www.boplan.com

Rev: 15 September 2021 10:23 am

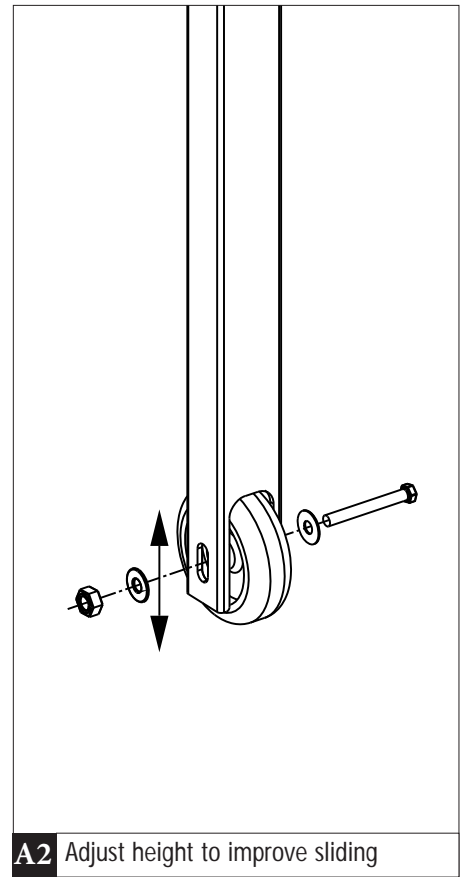




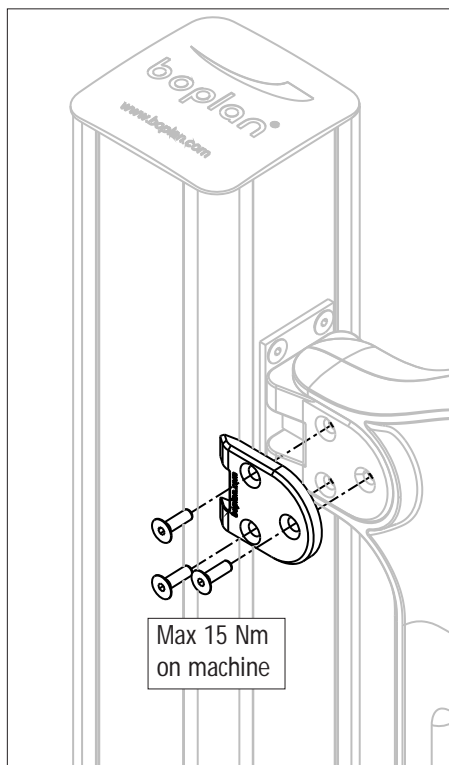
4 Level hinges and fix bolts diagonally



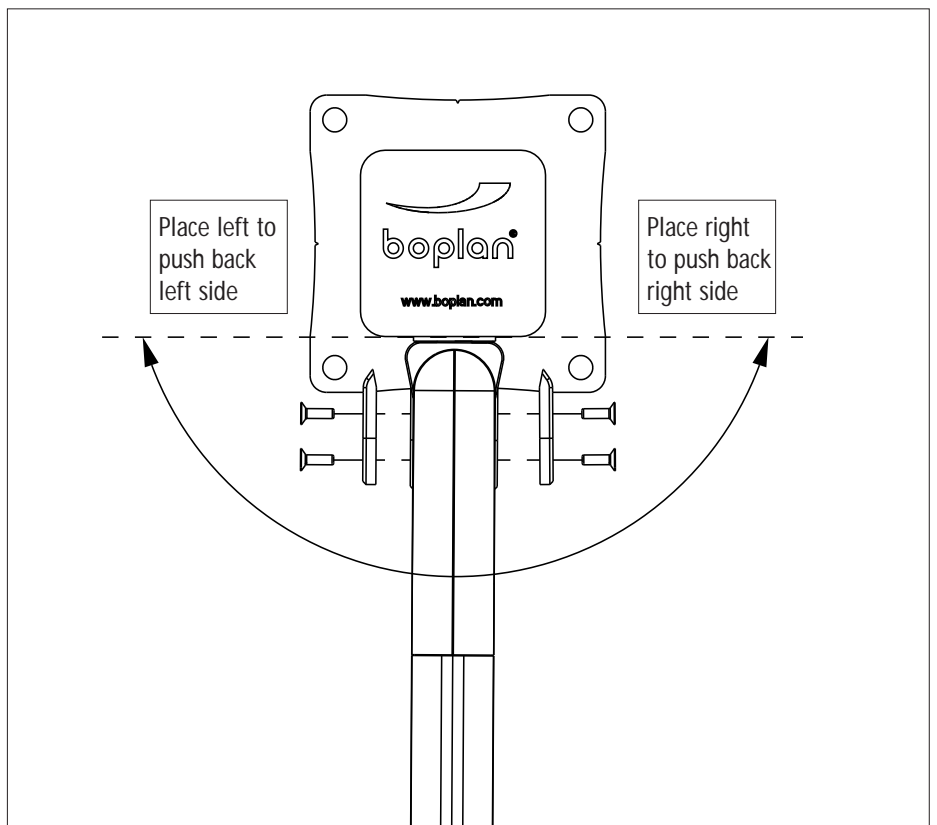
A1 For wheel option (size ≥ 1501)
Remove bolts in bottom corner
Place wheel adapter
Fixate again with same bolts



A2 Adjust height to improve sliding



B1 For push back block option
Remove bolts - Place push back block
Fixate again with same bolts



B2 Place push back block one or both sides to close corresponding direction



For more information, please visit www.boplan.com

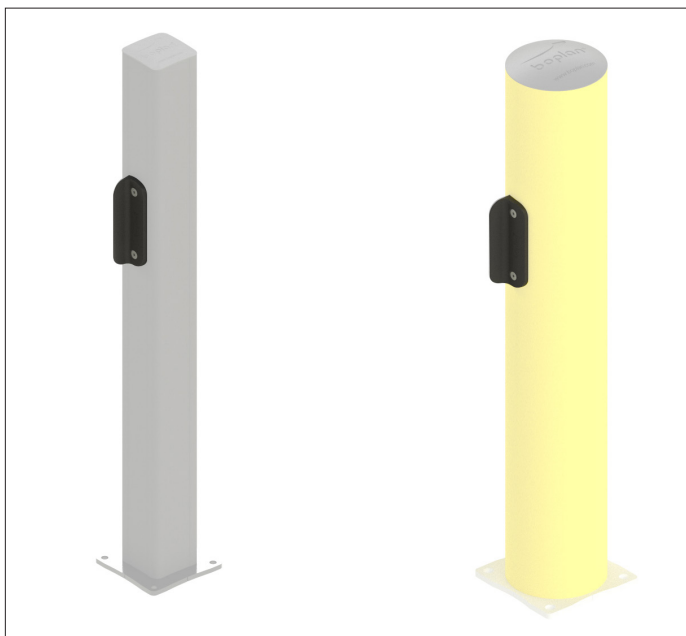
Rev: 15 September 2021 10:23 am



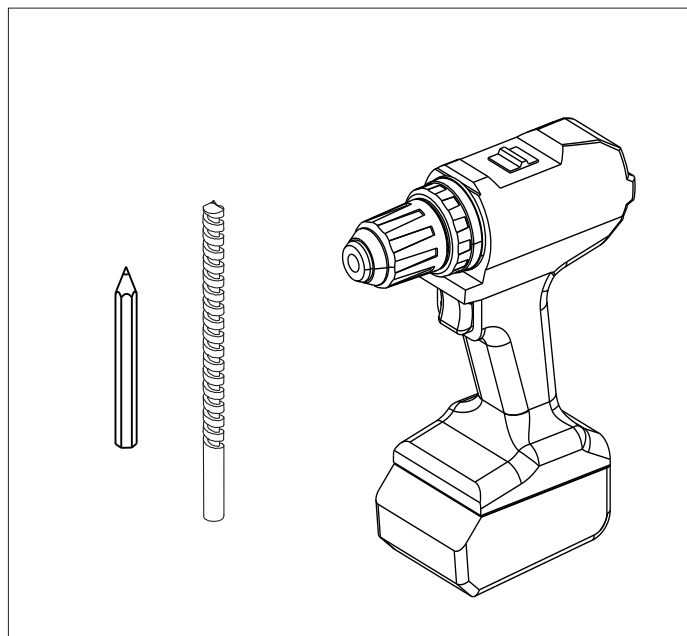
GATE STOP : POST MOUNT

SG9901-0001-PMBL - Safety gate stop
Swing gate - Post mounted assembly - BL

INSTALLATION SHEET

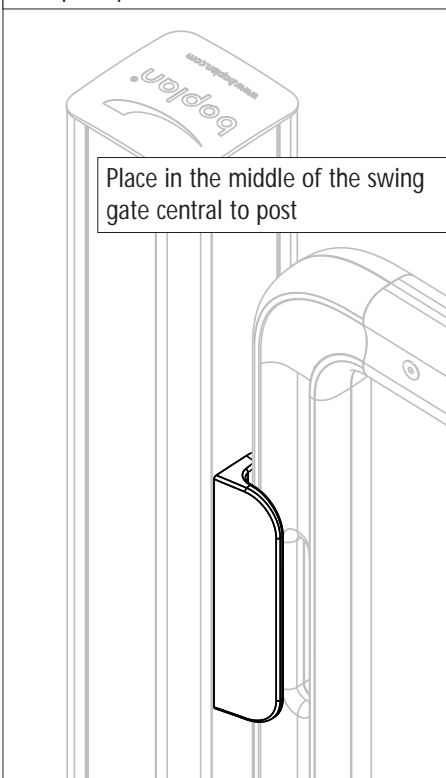


How to install gate stop : Post mount

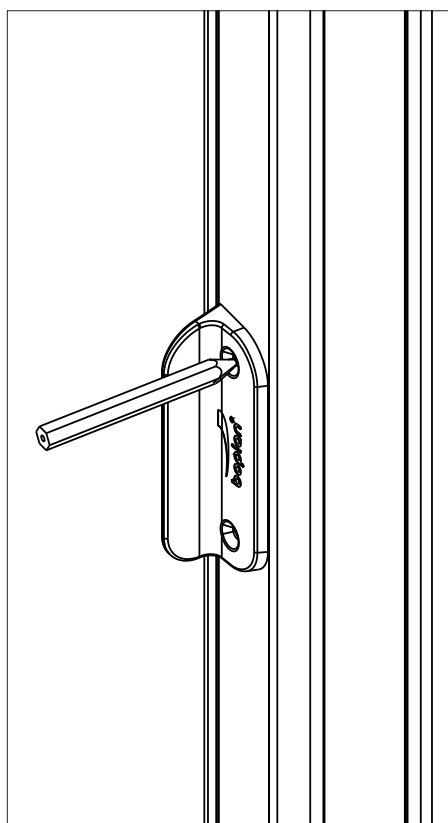


Required Tools : marker, electric/driver drill, metal/wood drill Ø9

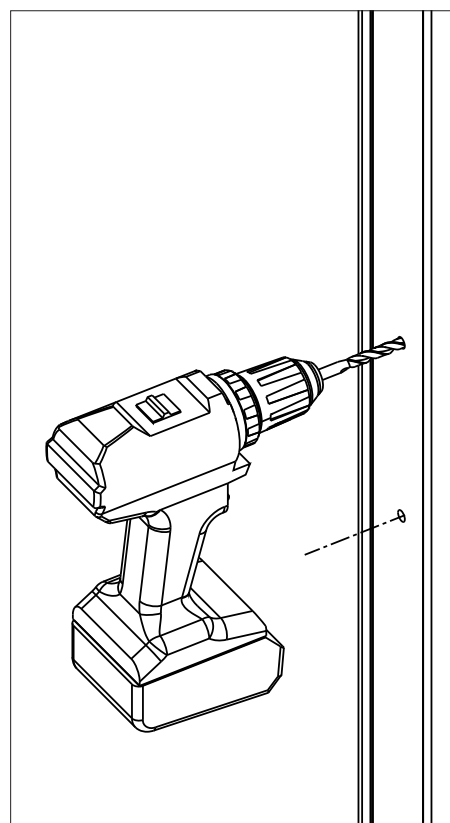
On square post



A1 Place gate stop and choose side



A2 Mark holes on post



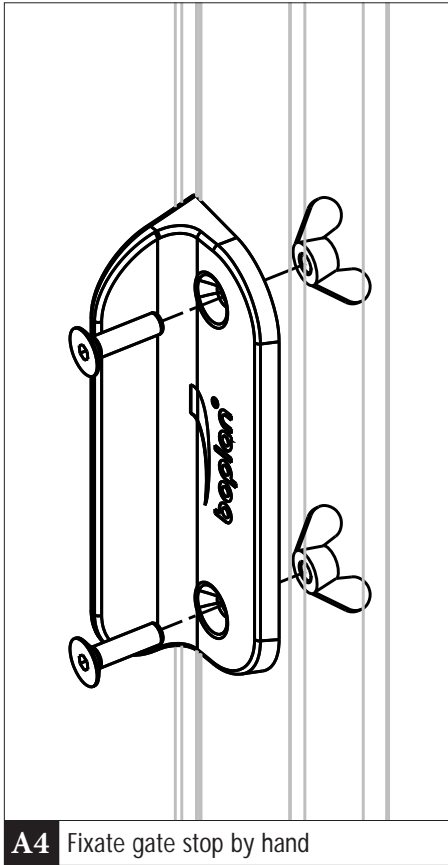
A3 Drill holes Ø9mm



For more information, please visit www.boplan.com

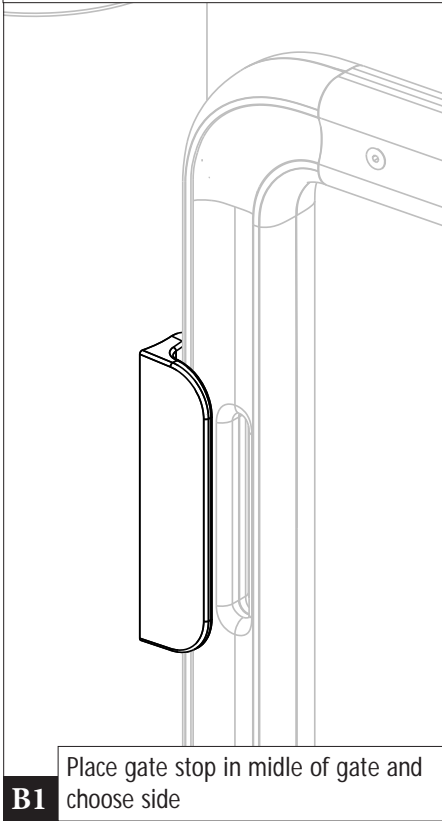
Rev: 15 September 2021 10:23 am



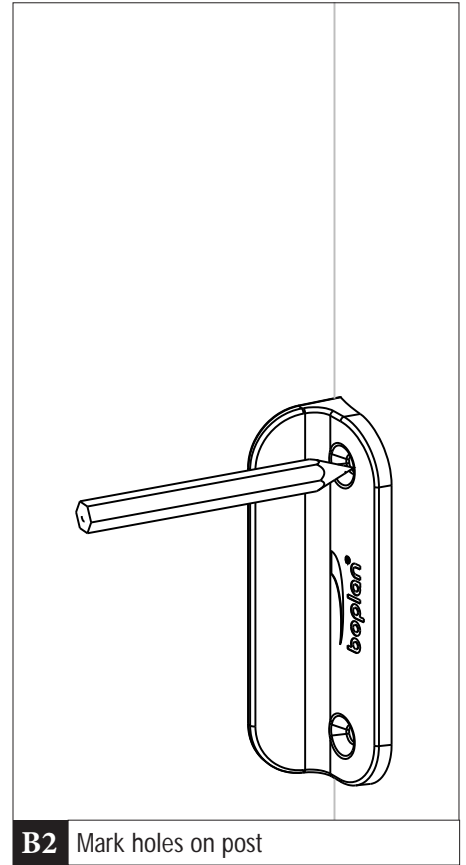


A4 Fixate gate stop by hand

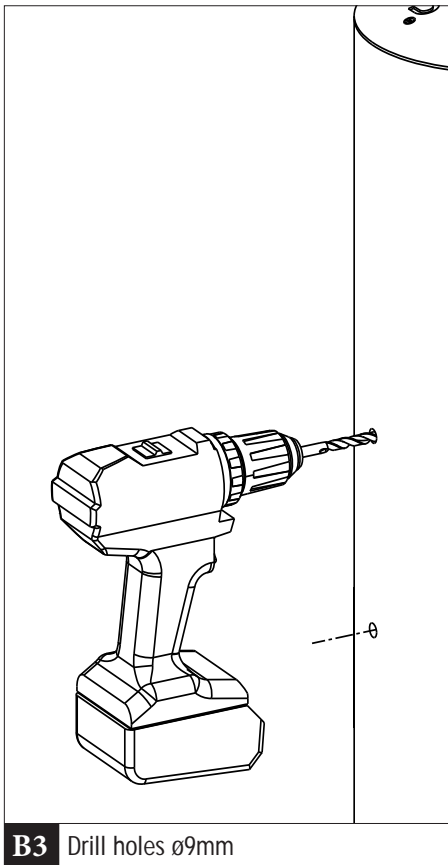
On round post



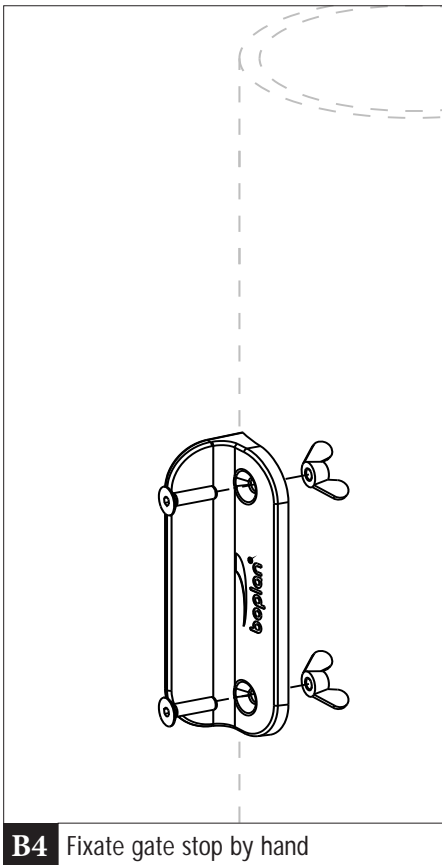
B1 Place gate stop in middle of gate and choose side



B2 Mark holes on post



B3 Drill holes $\varnothing 9\text{mm}$



B4 Fixate gate stop by hand

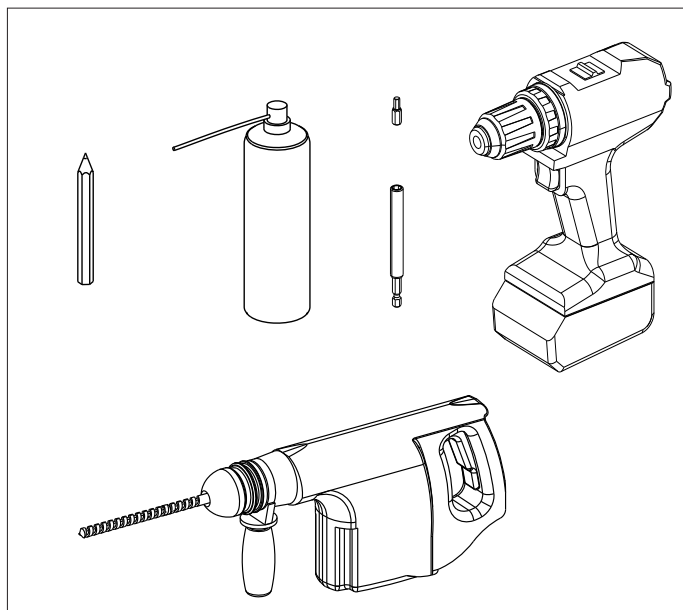
DOORSTOP : WALL MOUNT

INSTALLATION SHEET

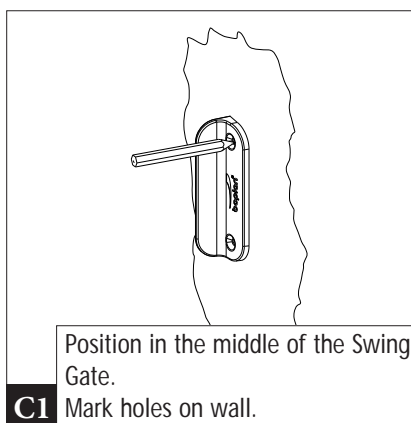
SG9901-0002-WMBL - Safety gate stop -
Swing gate - Wall mounted assembly - BL



How to install Doorstop : Wall mount

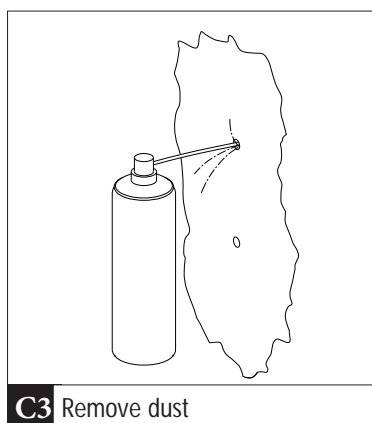


Required Tools : marker, compressed air, electric drill,
concrete drill Ø14, driver drill with allen key / torx bit

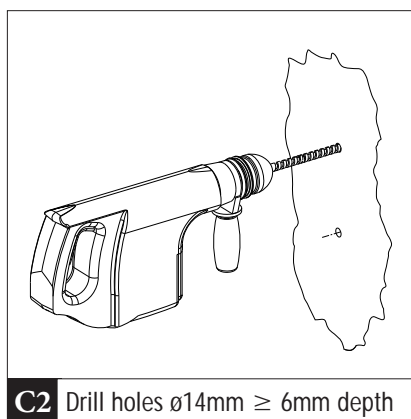


Position in the middle of the Swing Gate.

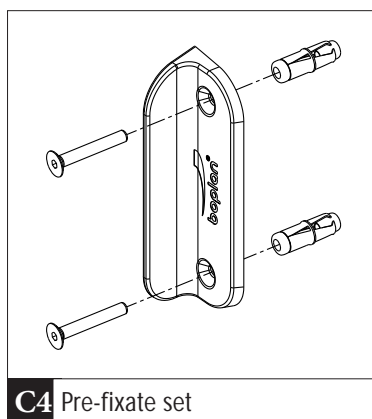
C1 Mark holes on wall.



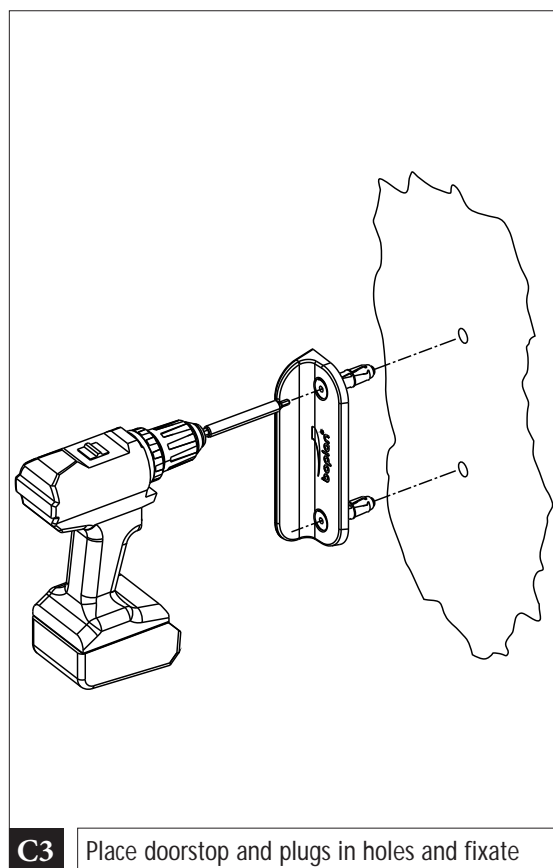
C3 Remove dust



C2 Drill holes $\varnothing 14\text{mm} \geq 6\text{mm}$ depth



C4 Pre-fixate set



C3 Place doorstop and plugs in holes and fixate



For more information, please visit www.boplan.com

Rev: 15 September 2021 10:23 am



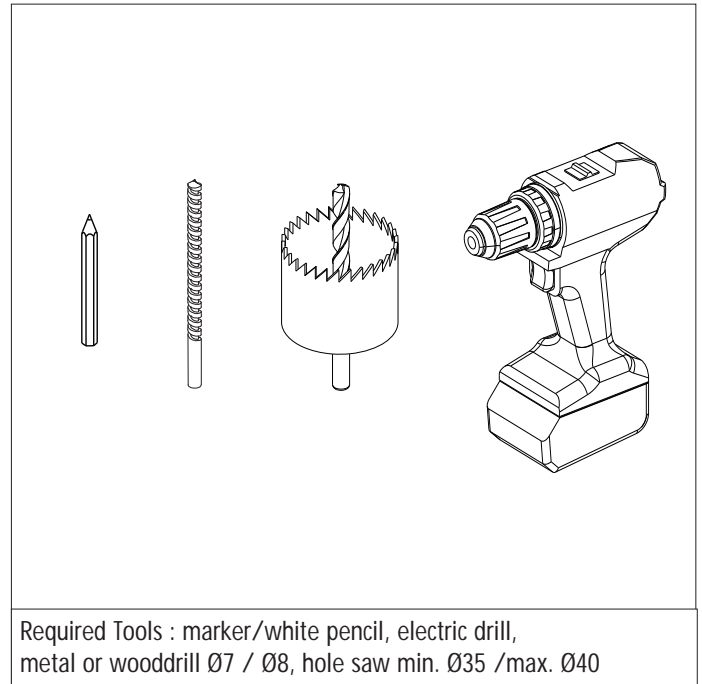
SG : POST HOLES

INSTALLATION SHEET

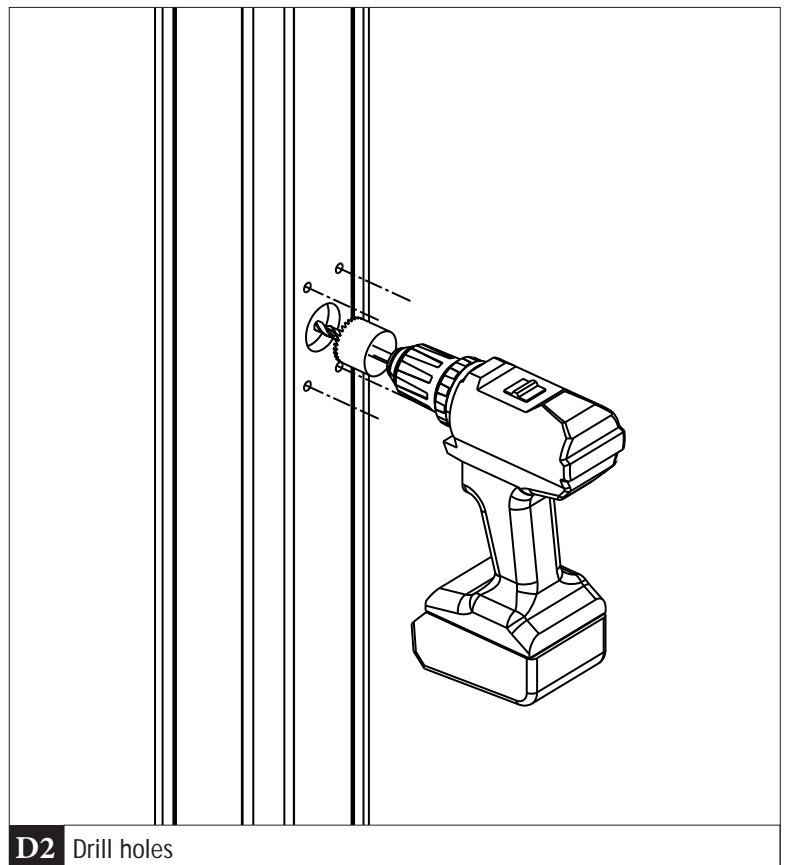
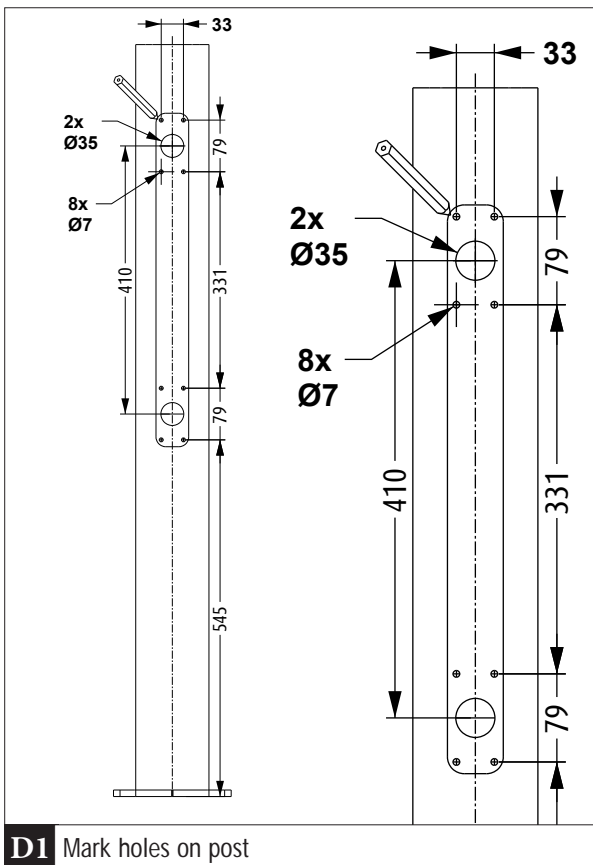
SG1100- (0700>2000) -0001BY (ZC/SS)



How to drill Poste holes for Swing Gate



Required Tools : marker/white pencil, electric drill, metal or wooddrill Ø7 / Ø8, hole saw min. Ø35 /max. Ø40



For more information, please visit www.boplan.com

Rev: 15 September 2021 10:23 am

