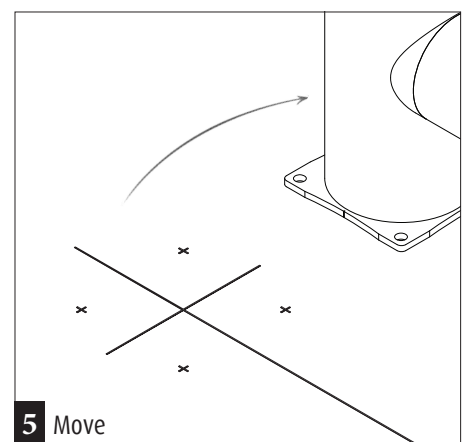
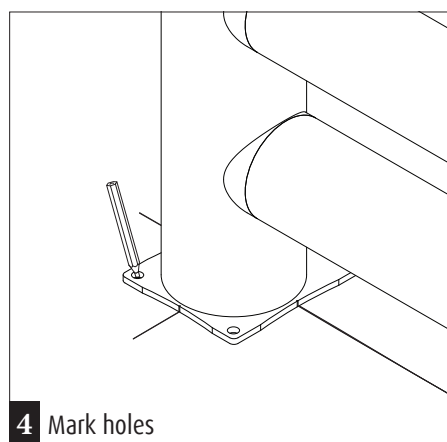
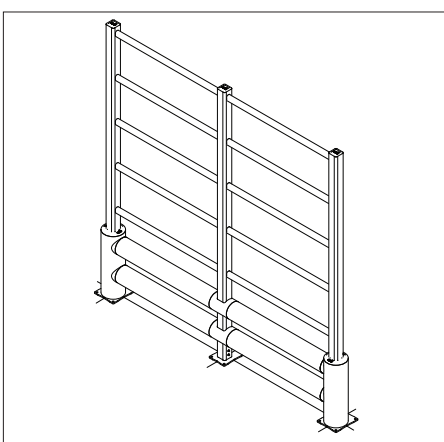
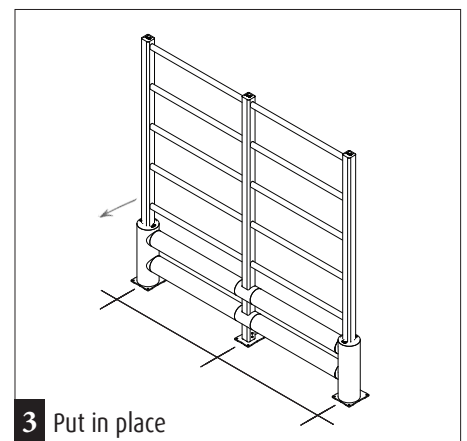
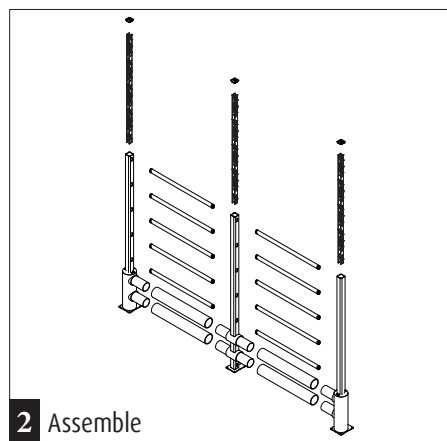
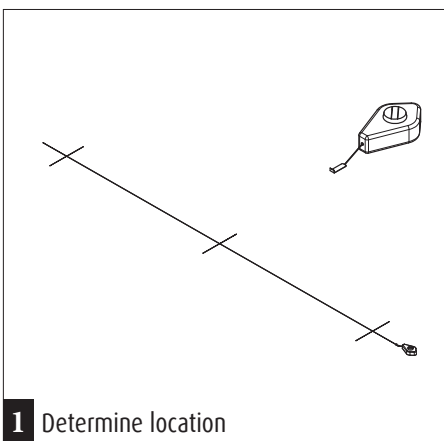
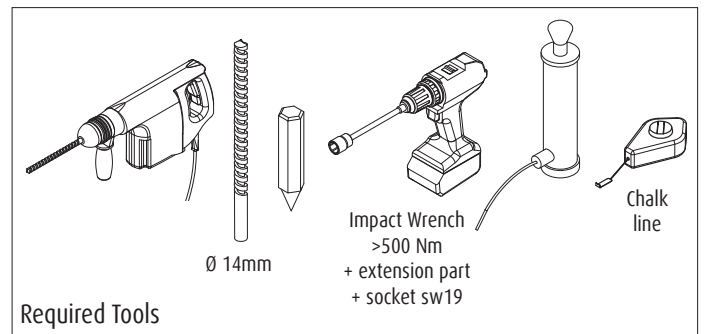


TB DOUBLE GRILL

GD...-...-....

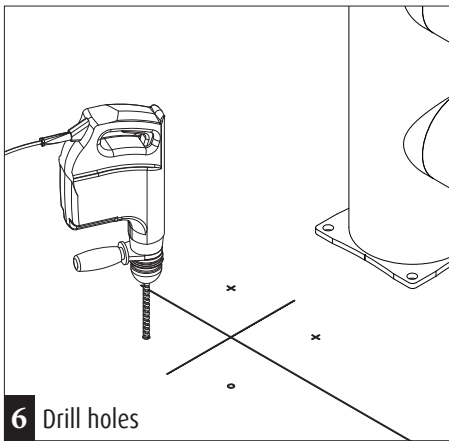
INSTALLATION SHEET



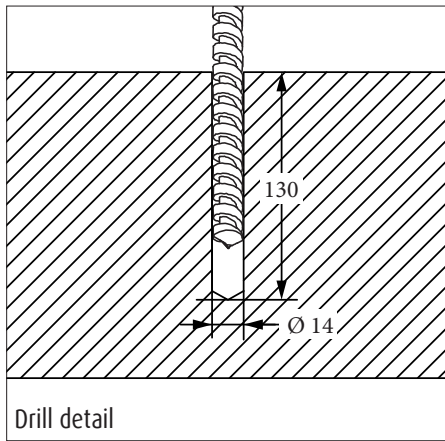
For more information, please visit www.boplan.com

Rev: 28 January 2022 1:05 pm

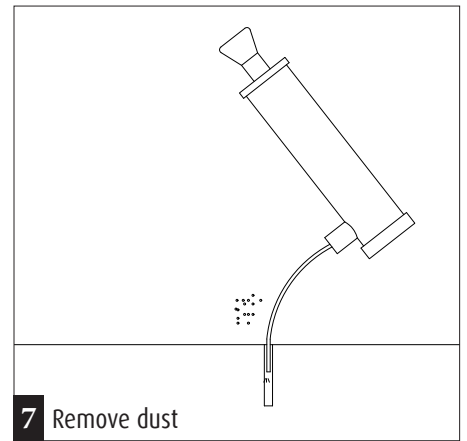




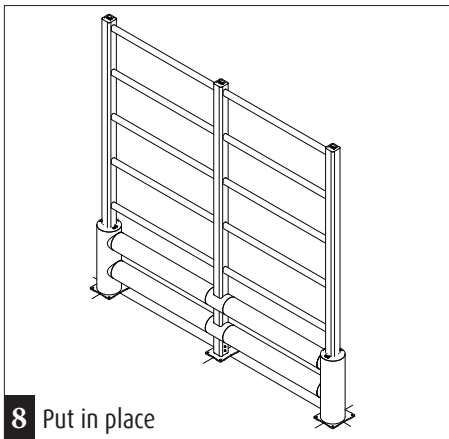
6 Drill holes



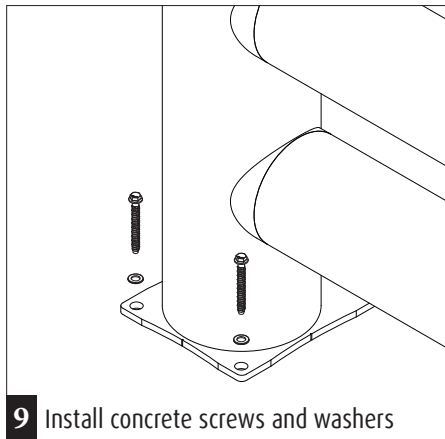
Drill detail



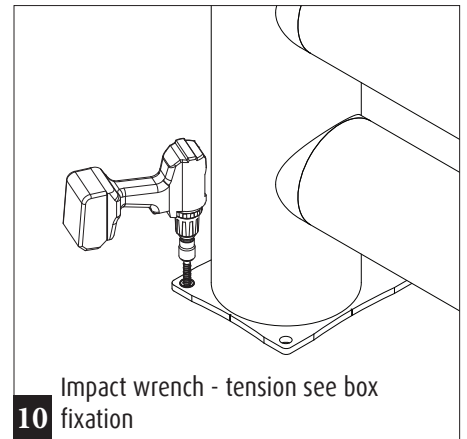
7 Remove dust



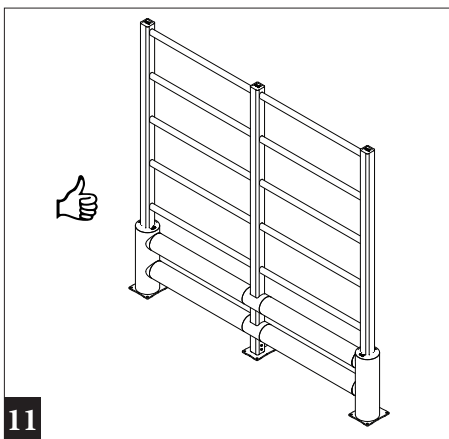
8 Put in place



9 Install concrete screws and washers



10 Impact wrench - tension see box fixation



11