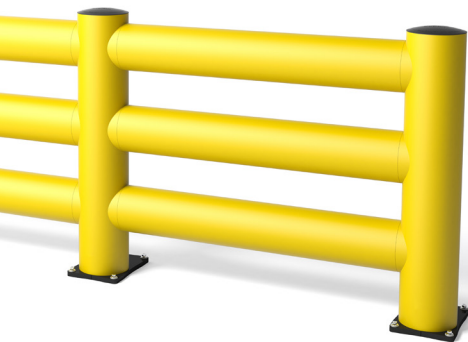




TB SUPER TRIPLE BOPLAN SAFETY BARRIER SPECIFICATION SHEET

Revision: 10 July 2023 11:55 AM
Boplan reference: TS400 ...



PRODUCT SPECIFICATIONS

APPLICATION

Environment	The TB Super Triple is the heaviest traffic barrier in the TB series, offering extra-tough collision protection against heavy traffic with a high-impact risk.
Impact performance at 90°	POST: 44500 Joule (Eq. to 10 ton - 6.6 mph)
	RAIL: 48300 Joule (Eq. to 10 ton - 7 mph)

MATERIAL

Posts and rails	Novilene® - UV resistant - Fire class E* - Non conductive - Impervious to most chemicals**
Caps	SEBS Rubber

STANDARD COLORS

End post	Yellow
Mid post	Yellow
Impact tubes	Yellow


BASEPLATES

	Steel	Zinc Coated Steel	Stainless steel
Material	Steel 37	Steel 37	Stainless steel 304
Coating	Lacquered	Lacquered + electro plating	No lacquer / No coating
Color	High gloss black	Matt black	Natural color

*Classification according to EN 13501-1:2007 +A1:2009 - Fire classification of construction products and building elements.

**Ask your local sales office for resistance to specific chemicals.

FIXATIONS

		ZC (Zinc coated)	SS (Stainless steel)
STANDARD	Expansion anchor		
		Length = 5 1/2 in Size = 3/4 in Drill hole diameter = 3/4 in Max load (pull out) = 31.9 kN	Length = 5 1/2 in Size = 3/4 in Drill hole diameter = 3/4 in Max load (pull out) = 31.3 kN



FEATURES AND FUNCTIONALITY - TB SUPER TRIPLE

SIZE	
Height end posts	45 in
Height mid post	45 in
Profile section tubes	Ø8 in (2/5 in thick)
Profile section end posts	Outer tube: Ø10 in (2/5 in thick) Inner profile: 4 2/5 x 4 2/5 in (1/3 in)
Profile section mid posts	Outer tube: Ø10 mm (2/5 thick) Inner profile: 4 2/5 x 4 2/5 in (1/3 in)
Standard rail length	CC60 in (Tube length: 50 in)
Baseplate	End Post: 14 3/4 x 10 4/5 (3/4 in thick) Mid Post: 14 3/4 x 10 4/5 (3/4 in thick)

REQUIREMENTS	
Concrete quality	minimum 4000 PSI (C25/30)
Concrete floor plate thickness (mm)	minimum 6 in
Concrete slab dimension around posts (mm)	35 2/5 (H) x 35 2/5 (W) x 23 2/3 (D)
Operational temperature	14 °F up to 104 °F
Water and humidity	Steel (standard): dry indoor use only. Zinc coated: outdoor use in most environments. Stainless Steel: outdoor use or frequent exposure to water and humidity.

IMPACT LABEL FOR SAFETY BARRIERS

BOPLAN TB400 SUPER TRIPLE		
IMPACT RATING	45°	90° <small>PAS 13:2017 compliant</small>
E80 > 80 kJ	68,3 kJ	
E60 > 60 kJ		48,3 kJ
E50 > 50 kJ		
E40 > 40 kJ		
E35 > 35 kJ		
E30 > 30 kJ		
E25 > 25 kJ		
E20 > 20 kJ		
E15 > 15 kJ		
E10 > 10 kJ		
E5 > 5,0 kJ		
E2 > 2,5 kJ		

TEST CONDITIONS

TEMPERATURE: 20°C / 68°F

IMPACT HEIGHT: 650 mm / 25 2/3 Inch

IMPACT ANGLE: 90°

TEST FLOOR: CONCRETE SLAB C25/30 - 160 mm / 6 Inch

MANUFACTURER ANCHOR PULL OUT: 17kN

TEST VEHICLE

WEIGHT: 2300 KG / 5070.63 lbs

TYPE: COMMERCIAL FORK LIFT

SIZE (L x W x H): 1890x1020x1970 mm / 74x40x78 Inch

CONTACT AREA: STEEL BUMPER WIDTH: 600 mm / 24 Inch

ACCREDITED TEST LABORATORY

620 Route des Fromentaux

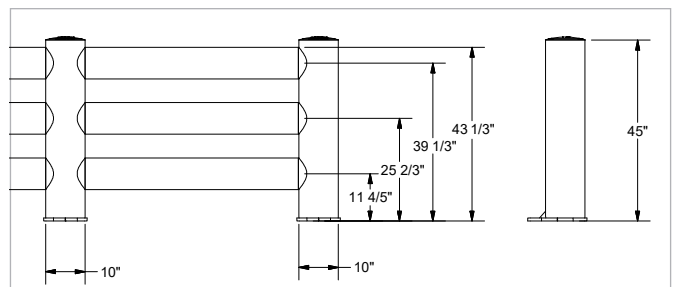
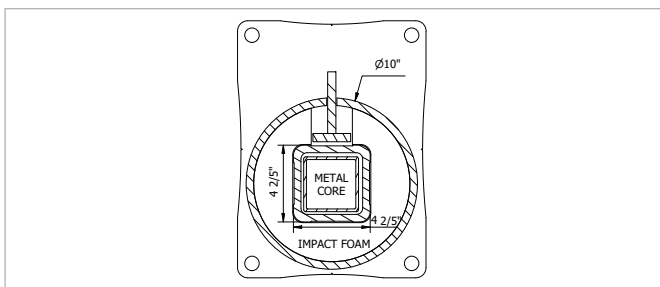
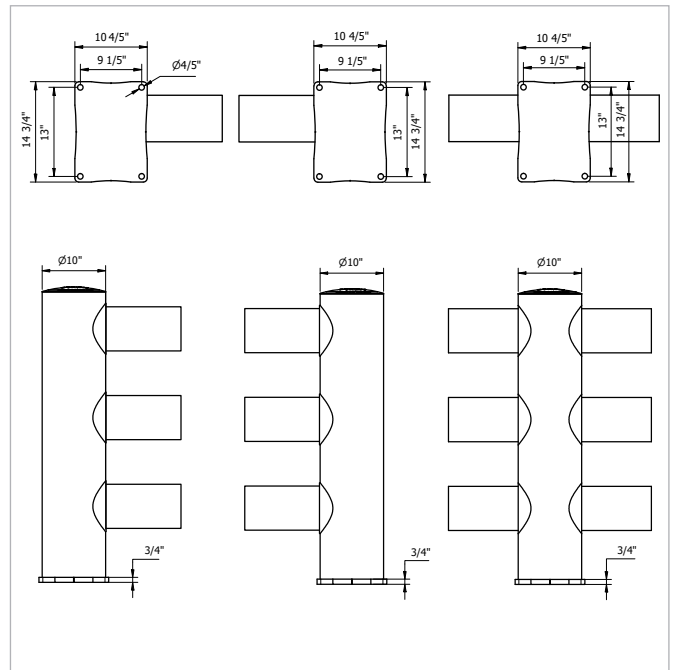
01500 Saint-Maurice-de-Rémens

01360 Bèlignieux

France

SUCCESS CRITERIA VEHICLE STOPPED - ASI (ACCELERATION SEVERITY INDEX) <0.5

IL-TS4000-20230705



SPECSHEET

BOPLAN USA INC | Atlanta, GA | +1 678 890 5906 | sales@boplan.com | www.boplan.com

DISCLAIMER: ALL PRODUCT SPECIFICATIONS AND DATA ARE SUBJECT TO CHANGE WITHOUT NOTICE TO IMPROVE RELIABILITY, FUNCTION OR DESIGN OR OTHERWISE.
© Boplan, the Boplan logo, Flex Impact and RackBull are trademarks of Boplan bv. All other trademarks are property of their respective owners.



REFERENCE LIST - TB SUPER TRIPLE

POSTS

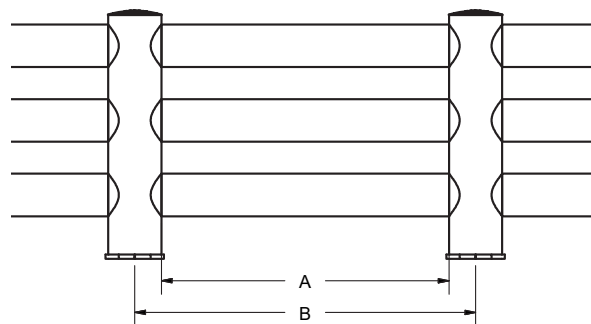
End post Left End post Left - ZC End post Left - SS	TS4000-0001-EPLYE TS4000-0001-EPLYEZ TS4000-0001-EPLYES	
End post Right End post Right - ZC End post Right - SS	TS4000-0001-EPRYE TS4000-0001-EPRYEZ TS4000-0001-EPRYES	
Mid post Mid post - ZC Mid post - SS	TS4000-0001-MPYE TS4000-0001-MPYEZ TS4000-0001-MPYES	

CURVES

Conn.tube Ø8 Curve 14 in - YE	TS4000-0350-C200YE	
Conn.tube Ø8 - 45° Curve 14 in - YE	TS4000-0350-C204YE	
Conn.tube Ø8 - 90° Curve 14 in - YE	TS4000-0350-C209YE	
Conn.tube Ø10 Curve 14 in - YE	TS4000-0350-C250YE	
Conn.tube Ø10 - 90° Curve 14 in - YE	TS4000-0350-C259YE	

RAIL SETS

	Tube length (A)	CC length (B)	Reference
Standard rail	26 in	36 in	TS4000-0665-0915YE
Standard rail	38 in	48 in	TS4000-0970-1220YE
Standard rail	50 in	60 in	TS4000-1275-1525YE
Standard rail	62 in	72 in*	TS4000-1578-1828YE
Standard rail	68 in	78 in*	TS4000-1730-1980YE
Short rail	26 - 38 in	36 - 48 in	TS4009-0048-SRYE
Long rail	38 - 50 in	48 - 60 in	TS4009-0060-LRYE
Long rail	50 - 62 in	60 - 72 in*	TS4009-0072-LRYE
Long rail	62 - 68 in	72 - 78 in*	TS4009-0078-LRYE



* The impact performance has not been tested for tube lengths > 1600 mm. Only use these lengths for non-critical applications.

SPECSHEET

BOPLAN USA INC | Atlanta, GA | +1 678 890 5906 | sales@boplan.com | www.boplan.com

DISCLAIMER: ALL PRODUCT SPECIFICATIONS AND DATA ARE SUBJECT TO CHANGE WITHOUT NOTICE TO IMPROVE RELIABILITY, FUNCTION OR DESIGN OR OTHERWISE.
© Boplan, the Boplan logo, Flex Impact and RackBull are trademarks of Boplan bv. All other trademarks are property of their respective owners.



REFERENCE LIST - TB SUPER TRIPLE

FIXED UNITS					
TYPE	LENGTH	BASE	YELLOW		
no curves	30 in	Steel ZC SS	TS4000-0750-FUYE TS4000-0750-FUYEZ TS4000-0750-FUYES		
	30 - 68 in	Steel ZC SS	TS4001-1750-FUYE TS4001-1750-FUYEZ TS4001-1750-FUYES		
1 curve	Post LEFT	30 in	Steel ZC SS TS4000-0750-FU1CLYE TS4000-0750-FU1CLYEZ TS4000-0750-FU1CLYES		
		30 - 68 in	Steel ZC SS TS4001-1750-FU1CLYE TS4001-1750-FU1CLYEZ TS4001-1750-FU1CLYES		
	Post RIGHT	30 in	Steel ZC SS TS4000-0750-FU1CRYE TS4000-0750-FU1CRYEZ TS4000-0750-FU1CRYES		
		30 - 68 in	Steel ZC SS TS4001-1750-FU1CRYE TS4001-1750-FU1CRYEZ TS4001-1750-FU1CRYES		
2 curves	32 in	Steel ZC SS TS4000-0800-FU2CYE TS4000-0800-FU2CYEZ TS4000-0800-FU2CYES			
	32 - 68 in	Steel ZC SS TS4001-1750-FU2CYE TS4001-1750-FU2CYEZ TS4001-1750-FU2CYES			

SPECSHEET

BOPLAN USA INC | Atlanta, GA | +1 678 890 5906 | sales@boplan.com | www.boplan.com

DISCLAIMER: ALL PRODUCT SPECIFICATIONS AND DATA ARE SUBJECT TO CHANGE WITHOUT NOTICE TO IMPROVE RELIABILITY, FUNCTION OR DESIGN OR OTHERWISE.
© Boplan, the Boplan logo, Flex Impact and RackBull are trademarks of Boplan bv. All other trademarks are property of their respective owners.