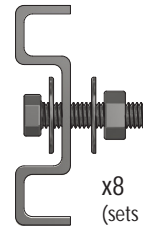


# FE FENCE

FE0900-0001-....

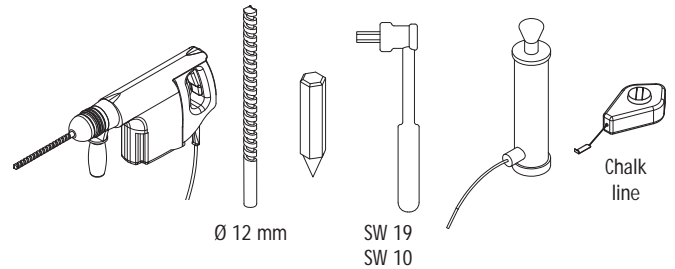
FE0903-1220-.....

## INSTALLATION SHEET

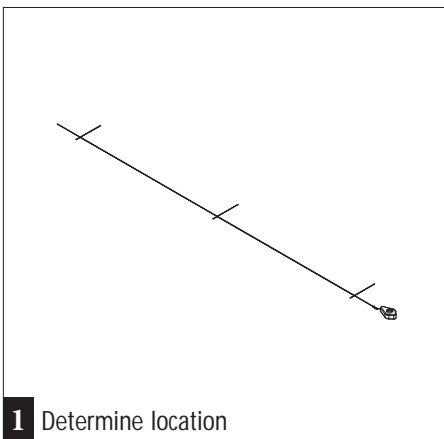


x8  
(sets per panel)

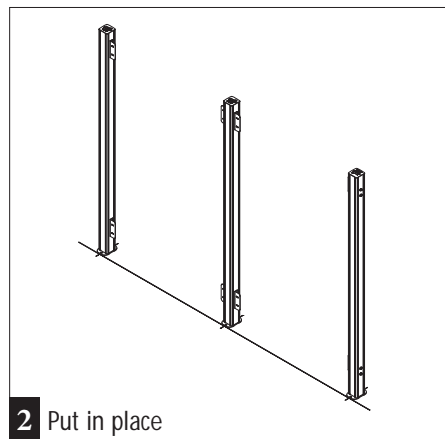
Included:  
Panel fixation set



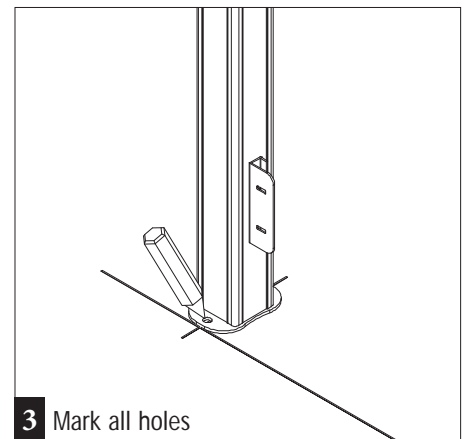
Required Tools



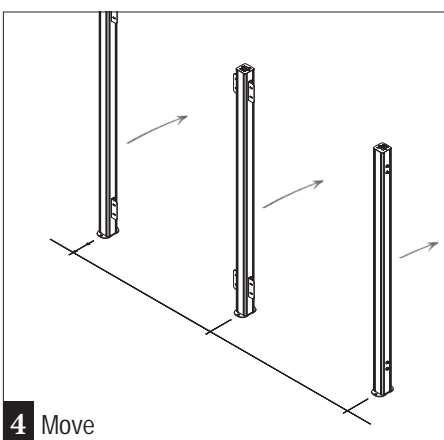
1 Determine location



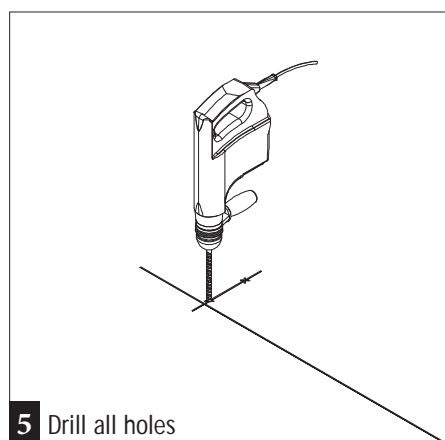
2 Put in place



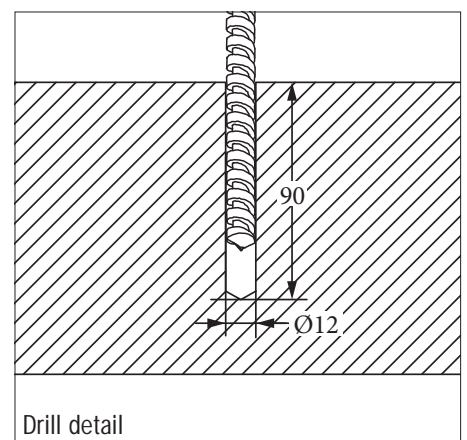
3 Mark all holes



4 Move



5 Drill all holes



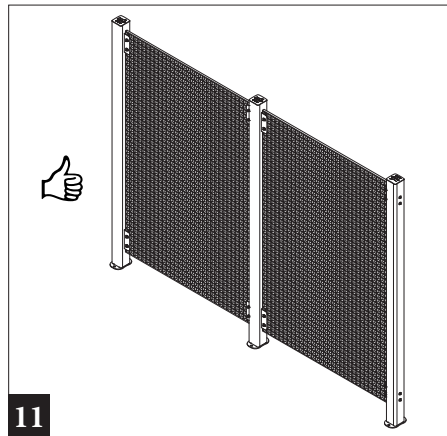
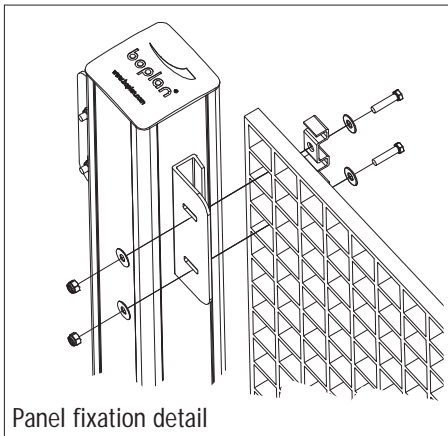
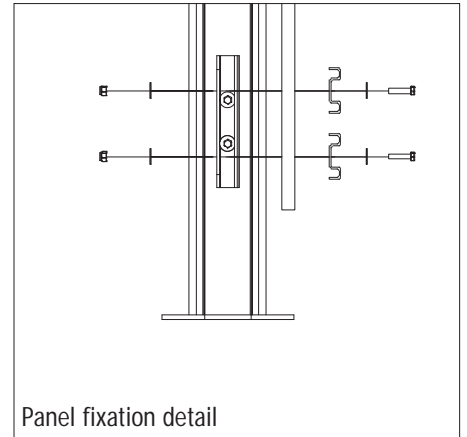
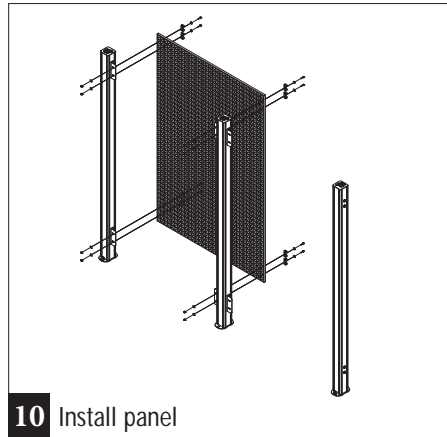
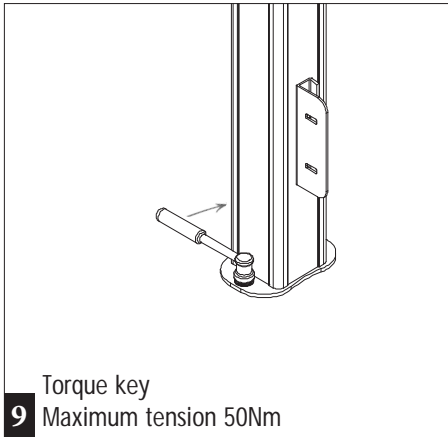
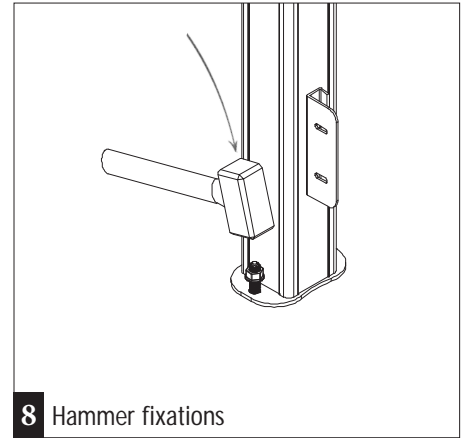
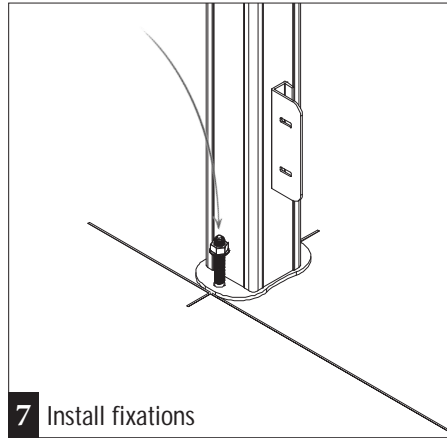
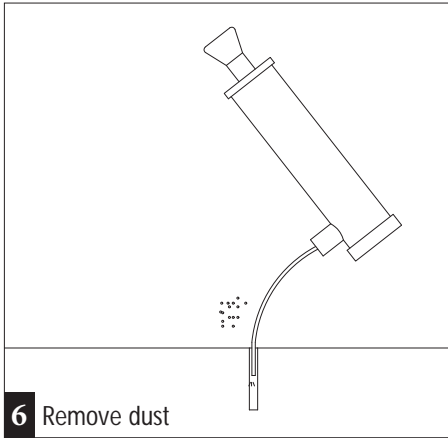
Drill detail



For more information, please visit [www.boplan.com](http://www.boplan.com)

Rev: 24 April 2019 5:00 pm





For more information, please visit [www.boplan.com](http://www.boplan.com)

Rev: 24 April 2019 5:00 pm

