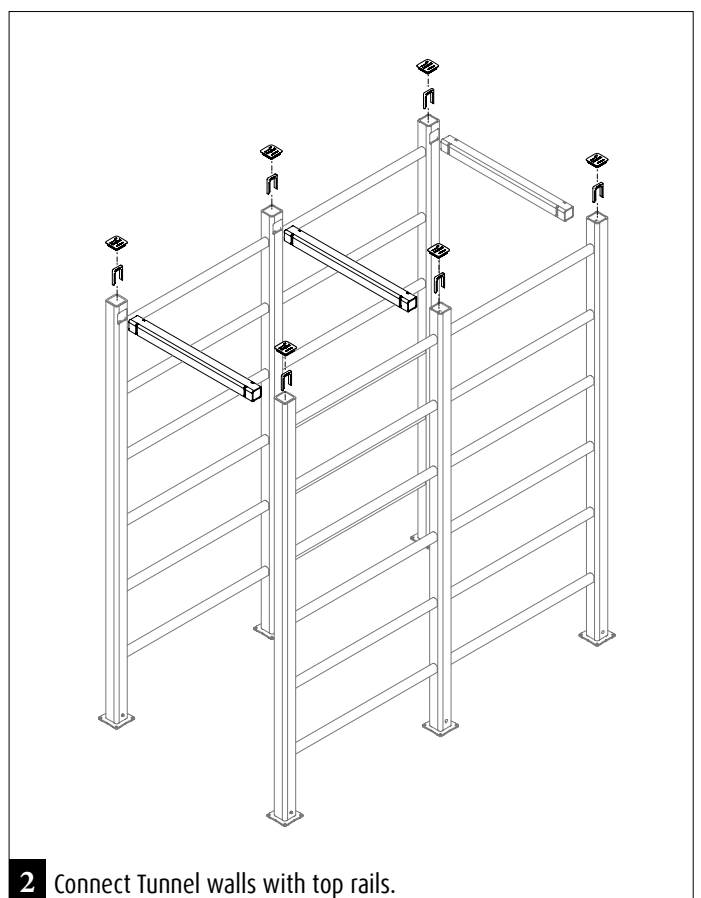
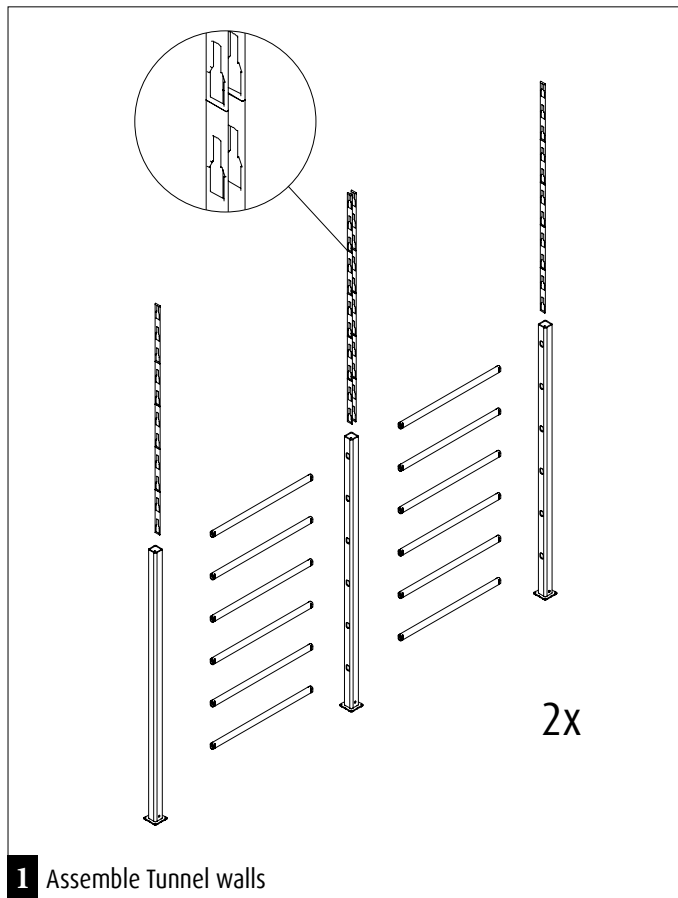
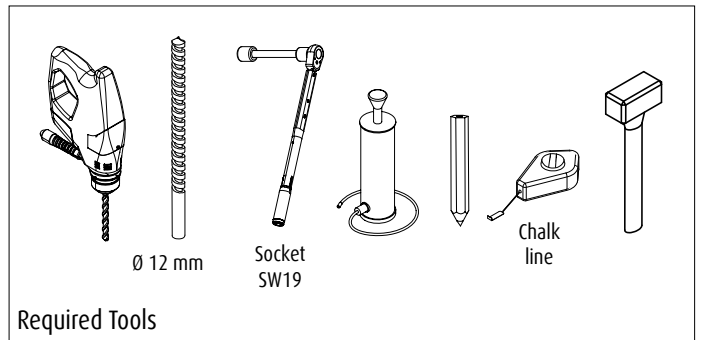
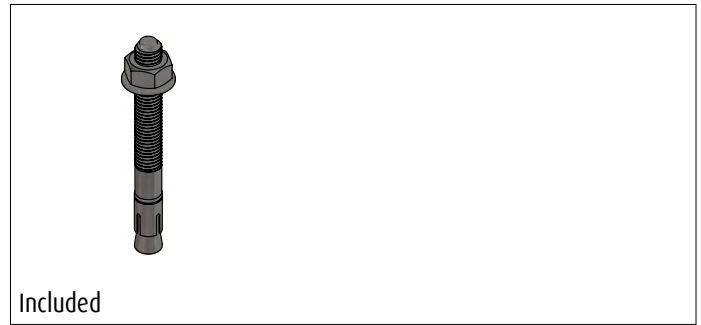


TUNNEL - FREE STANDING

INSTALLATION SHEET

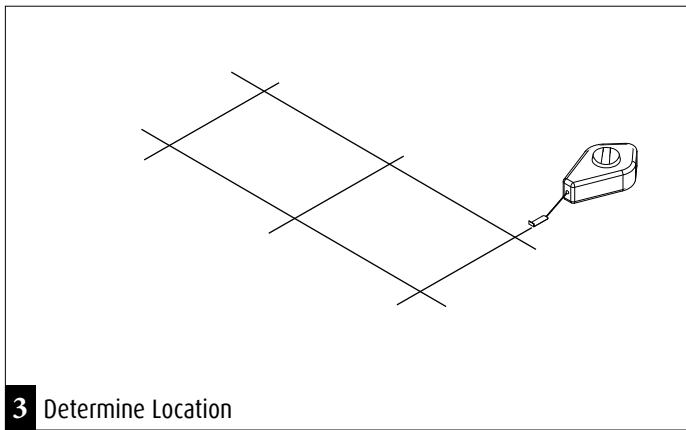
HT12..-....-....



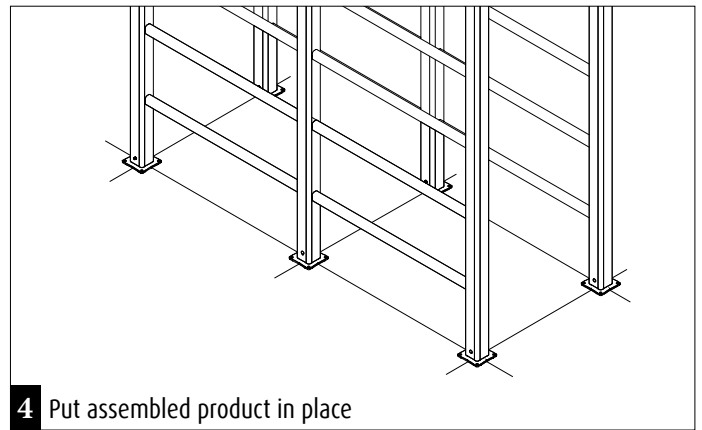
For more information, please visit www.boplan.com

Rev: 9 August 2022 4:11 pm

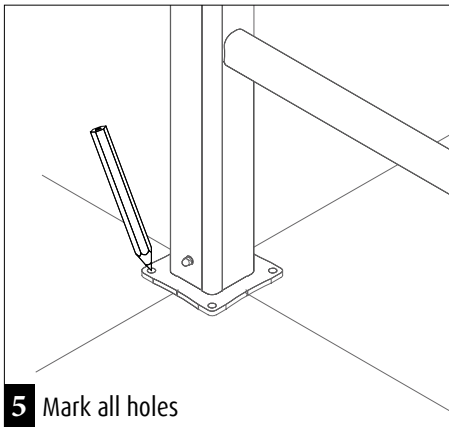




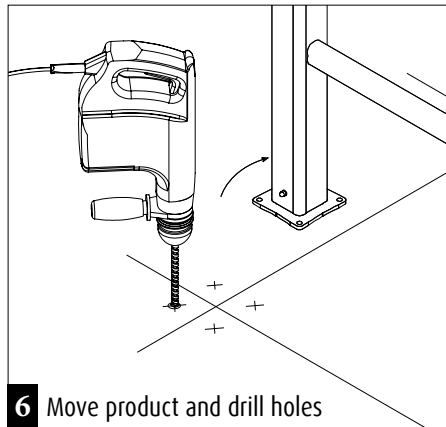
3 Determine Location



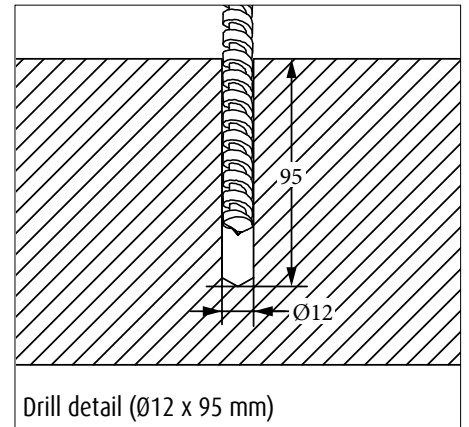
4 Put assembled product in place



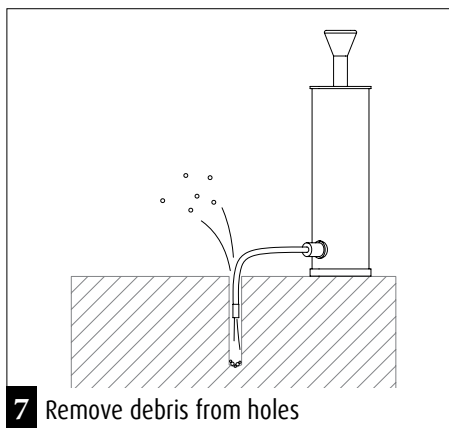
5 Mark all holes



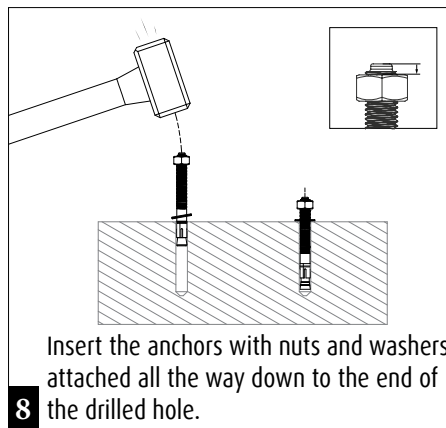
6 Move product and drill holes



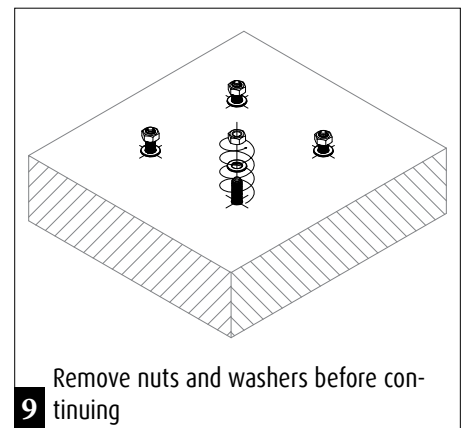
Drill detail (Ø12 x 95 mm)



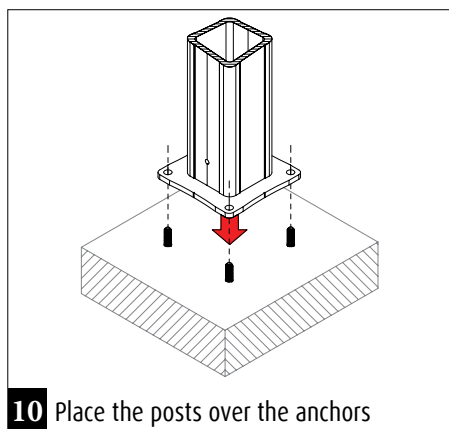
7 Remove debris from holes



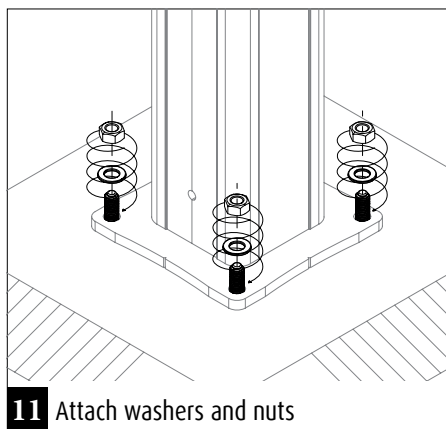
8 Insert the anchors with nuts and washers attached all the way down to the end of the drilled hole.



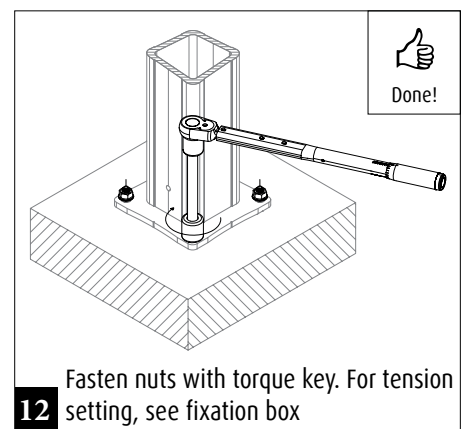
9 Remove nuts and washers before continuing



10 Place the posts over the anchors



11 Attach washers and nuts



12 Fasten nuts with torque key. For tension setting, see fixation box



For more information, please visit www.boplan.com

Rev: 9 August 2022 4:11 pm

