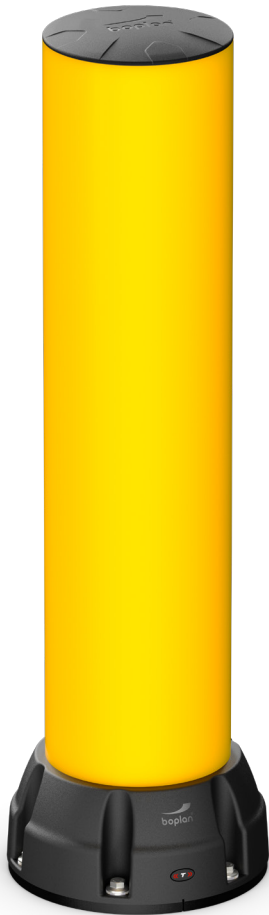


BO250T

BOLLARDS AND HEIGHT RESTRICTORS

Revision: 30 May 2024 5:04 PM
Boplan reference: BO250T...




Base Defender with Impact Button

PRODUCT SPECIFICATIONS

APPLICATION	
Environment	The BO250T stands out as the strongest in Boplan's impact-resistant bollard series, providing durable protection against frequent collisions with heavy vehicles. With a 15mm thick steel baseplate, a reinforced base, and a 250mm tube diameter, it is the ideal choice for guarding gates, access ways, corners, and machinery. Its robust yet flexible design efficiently absorbs heavy impacts. Due to the large Base, pallets are kept at a certain distance from the bollard to protect hands and prevent injury. Suitable for both indoor and outdoor environments.
Impact performance	24100 Joule (Eq. to 3,8 ton - 12,8 km/h)
MATERIAL	
Tube	Extrilene® - UV resistant - Fire class E [*] - Non conductive - Impervious to most chemicals ^{**}
Cap	Sustainable elastomer
Base Defender	Sustainable elastomer
COLOURS	
Bollard	Standard: Yellow RAL 1003 Also available in Black RAL 9005 (multicolour)
Base Defender	Standard: Black RAL 9005
OPTIONAL	
Stripe	Coloured reflective stripe providing a high level of visibility.
BASEPLATES	
	Zinc Coated Steel
Material	Steel 37
Coating	Electroplated + Lacquered
Colour	Mat black

*Classification according to EN 13501-1:2007 +A1:2009 - Fire classification of construction products and building elements.

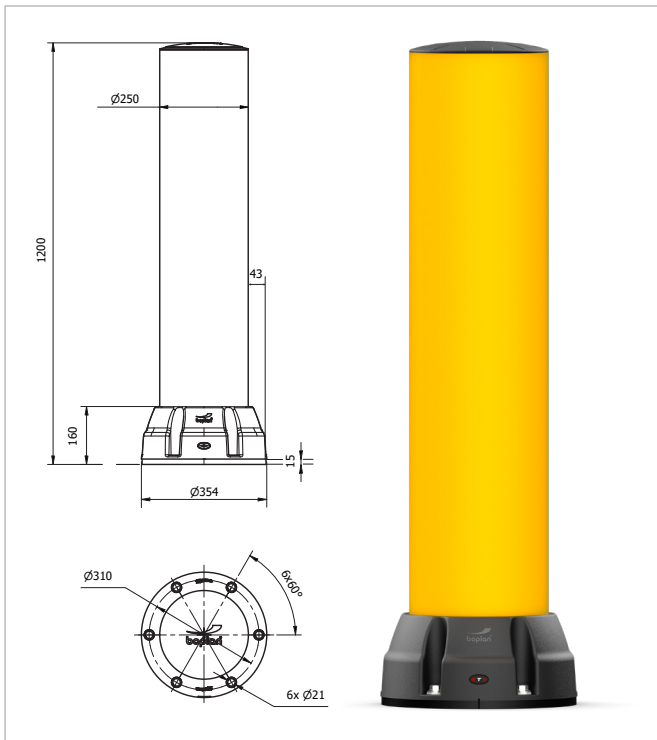
**Ask your local sales office for resistance to specific chemicals.

		FIXATIONS	
		ZC (Zinc coated)	SS (Stainless steel)
STANDARD	Concrete screw	 Ø17mm x 130mm	Not available

FEATURES AND FUNCTIONALITY - B0250T

SIZE	
Height	1000 mm 1200 mm 1201-1525 mm 1600 - 2000 mm 2100 - 2500 mm
Profile section	Ø250 mm (11 mm thick)
Baseplate	Ø350 mm (15 mm thick)
Base Defender	Top: Ø250 mm Base: Ø354 mm Height: 150 mm

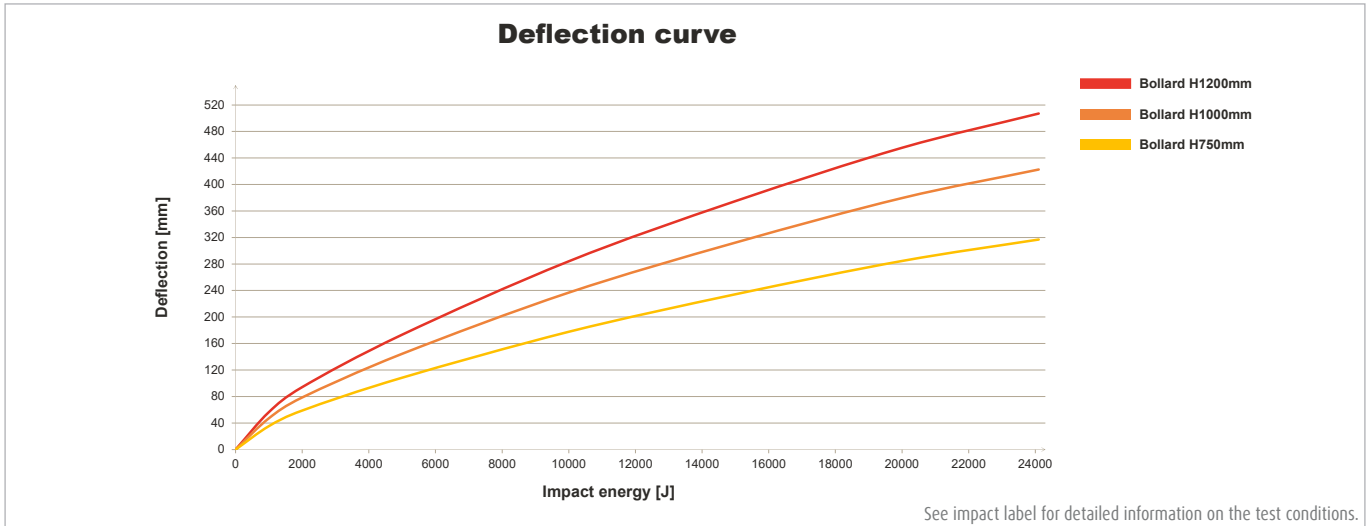
REQUIREMENTS	
Concrete quality	minimum C25/30
Concrete floor plate thickness (mm)	minimum 150 mm
Concrete slab dimension around posts (mm)	1000 (h) x 1000 (w) x 700 (d)
Operational temperature	-10°C up to +40°C
Water and humidity	Zinc coated: Indoor and outdoor use in most environments.



boplan **IMPACT LABEL FOR SAFETY BARRIERS**

BOPLAN B0250T																									
IMPACT RATING																									
<table style="width: 100%; border-collapse: collapse;"> <tr><td style="width: 10px;">E50</td><td style="width: 80px;">< 50 kJ</td></tr> <tr><td>E40</td><td>< 40kJ</td></tr> <tr><td>E30</td><td>< 30kJ</td></tr> <tr><td>E25</td><td>< 25kJ</td></tr> <tr><td>E20</td><td>< 20kJ</td></tr> <tr><td>E15</td><td>< 15kJ</td></tr> <tr><td>E12</td><td>< 12kJ</td></tr> <tr><td>E10</td><td>< 10kJ</td></tr> <tr><td>E7</td><td>< 7.5kJ</td></tr> <tr><td>E5</td><td>< 5.0kJ</td></tr> <tr><td>E2</td><td>< 2.5kJ</td></tr> <tr><td>E1</td><td>< 1.0 kJ</td></tr> </table>	E50	< 50 kJ	E40	< 40kJ	E30	< 30kJ	E25	< 25kJ	E20	< 20kJ	E15	< 15kJ	E12	< 12kJ	E10	< 10kJ	E7	< 7.5kJ	E5	< 5.0kJ	E2	< 2.5kJ	E1	< 1.0 kJ	
E50	< 50 kJ																								
E40	< 40kJ																								
E30	< 30kJ																								
E25	< 25kJ																								
E20	< 20kJ																								
E15	< 15kJ																								
E12	< 12kJ																								
E10	< 10kJ																								
E7	< 7.5kJ																								
E5	< 5.0kJ																								
E2	< 2.5kJ																								
E1	< 1.0 kJ																								
IMPACT RESULTS Deflection: At maximum impact energy	<p>$\alpha = 25^\circ$ D= 507 mm / 20 inch</p>	SUCCESS CRITERIA VEHICLE STOPPED ASI (ACCELERATION SEVERITY INDEX) <0.5																							
TEST CONDITIONS TEMPERATURE: 20°C / 68°F IMPACT HEIGHT: 610 mm / 47.2 Inch -> D: 507 mm / 20 Inch -> α : 25° TEST FLOOR: CONCRETE SLAB C25/30 - 150 mm / 6 Inch	BOPLAN TEST LAB Muizelstraat 12 8560 Moorsele Belgium 																								
TEST VEHICLE: TYPE: BOPLAN IMPACT TEST VEHICLE WEIGHT: 3775 Kg / 8322.45 lbs SIZE (L x W x h): 3100 x 1100 x 1150 mm / 122 x 43 1/4 x 45 1/4 Inch CONTACT AREA, STEEL BUMPER WIDTH: 1000 mm / 39 1/4 Inch	IL-B0200R-20240209																								

FEATURES AND FUNCTIONALITY - B0250T



REFERENCE LIST - B0250T

	ZINC COATED (ZC)	
	YELLOW	MULTICOLOUR ■
1000 mm	B0250T0-1000-0001YEZ	B0250T0-1000-0001MCZ
1200 mm	B0250T0-1200-0001YEZ	B0250T0-1200-0001MCZ
1201 - 1525 mm	B0250T1-1525-0001YEZ	B0250T1-1525-0001MCZ
1600 - 2000 mm	B0250T1-2000-0001YEZ	B0250T1-2000-0001MCZ
2100 - 2500 mm	B0250T1-2500-0001YEZ	B0250T1-2500-0001MCZ

STRIPES (B0 not included)			
	Black	White	Yellow
1 STRIPE	PA0300-0250-0001BL	PA0300-0250-0001WH	PA0300-0250-0001YE
2 STRIPES	PA0300-0250-0002BL	PA0300-0250-0002WH	PA0300-0250-0002YE
			

* Remark: Stripes cannot be ordered separately