

# TEDDY PRO

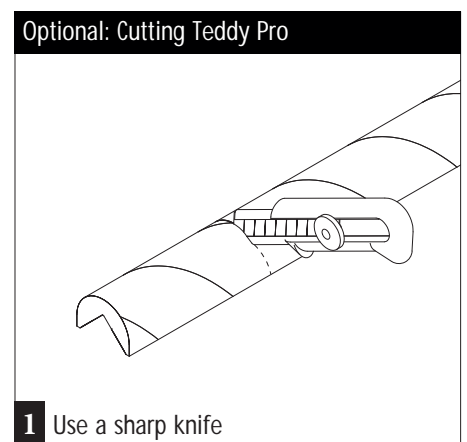
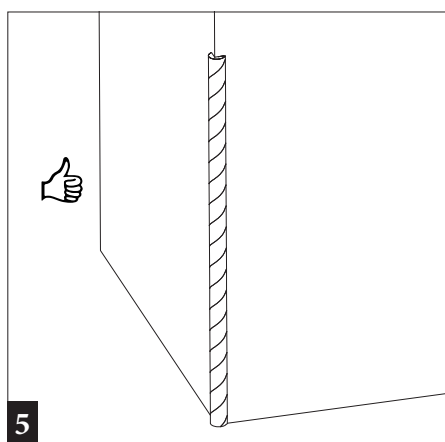
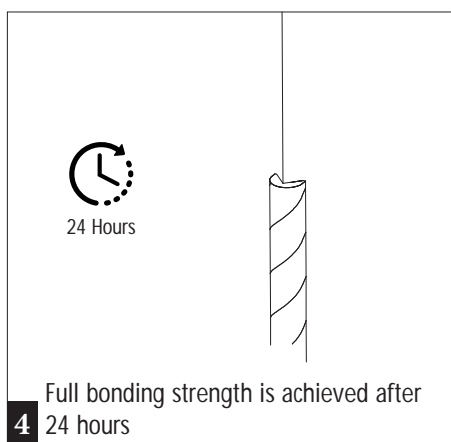
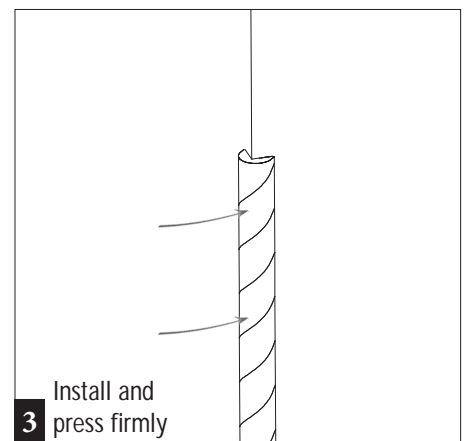
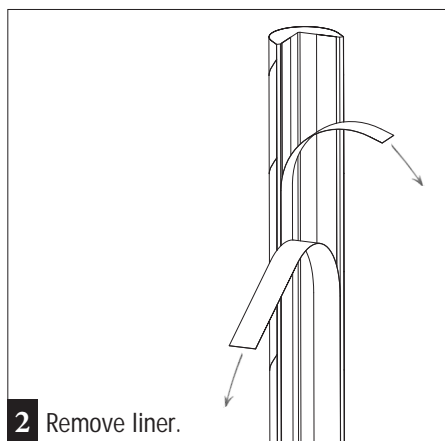
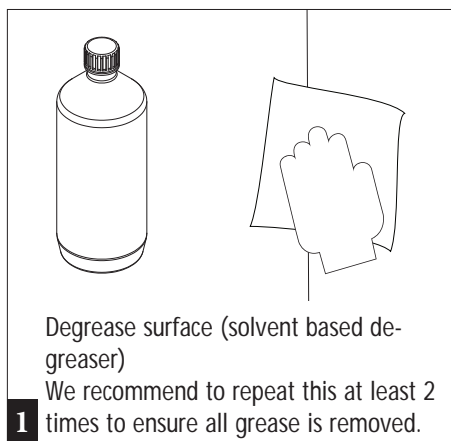
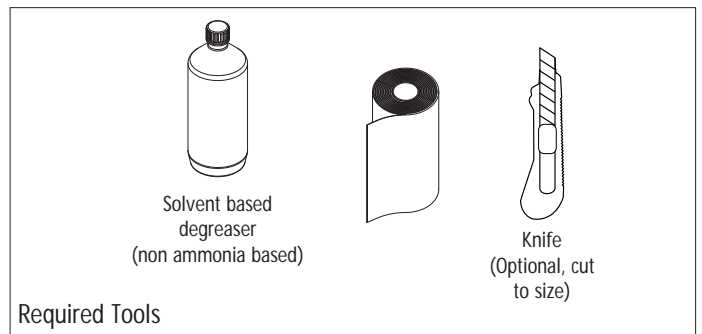
## INSTALLATION SHEET

TE.....-.....



### TEDDY PRO CHARACTERISTICS AND METHOD OF USE

- Surface temperature during application: 15 to 20 °C
- Surface must be clean, dry and non-oil soaked
- Indoor use only
- For use on concrete, metal and polymer surfaces.
- For polymer surfaces, test adhesion first.
- Do not try to adjust / remove after installation.



For more information, please visit [www.boplan.com](http://www.boplan.com)

Rev: 27 January 2020 1:33 pm

