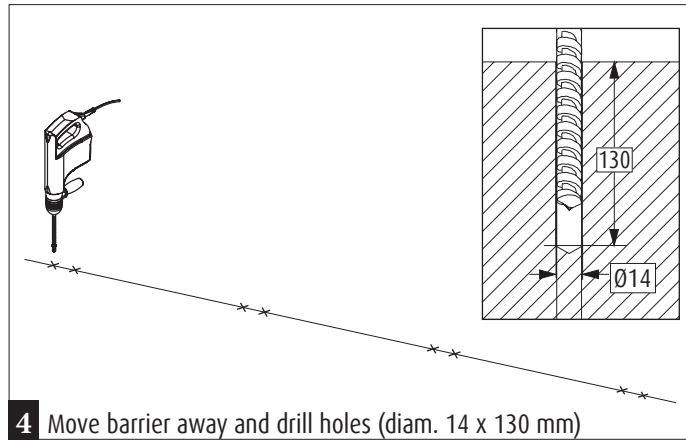
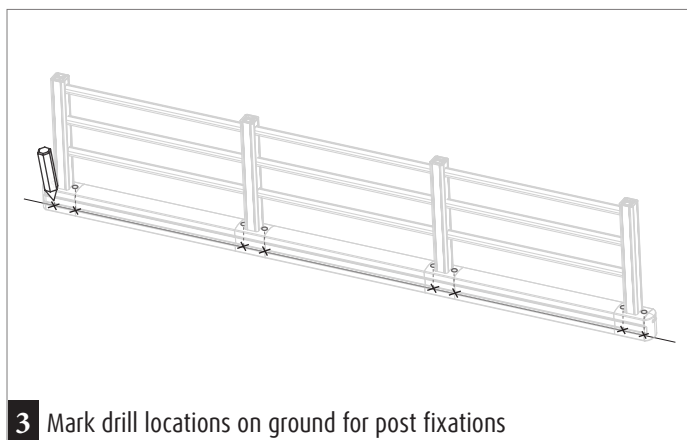
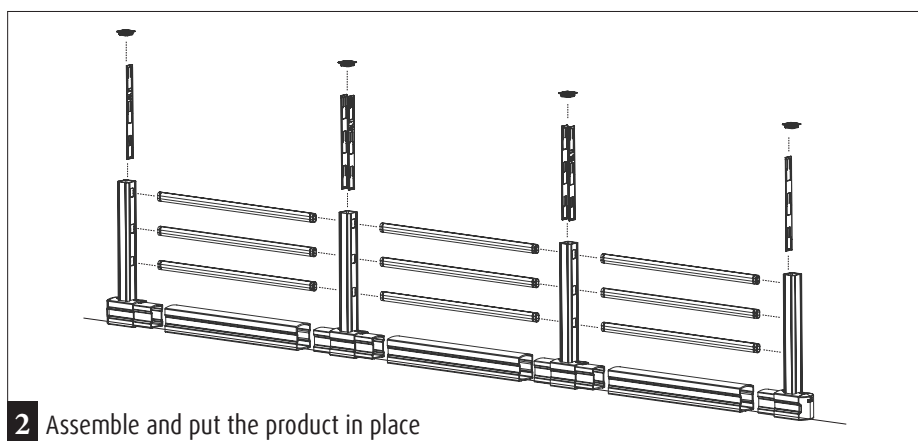
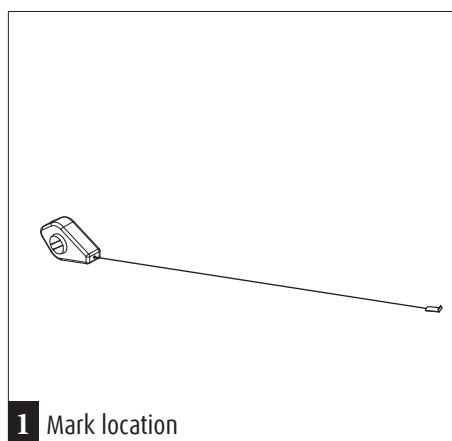
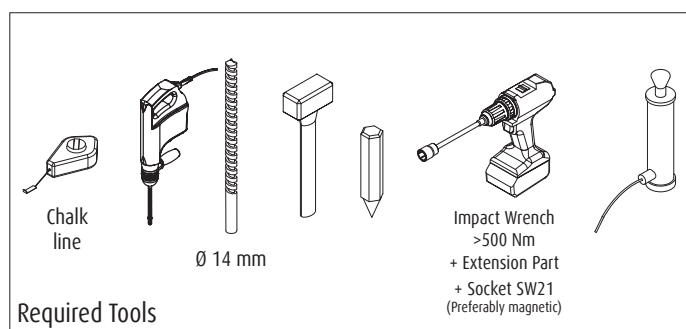
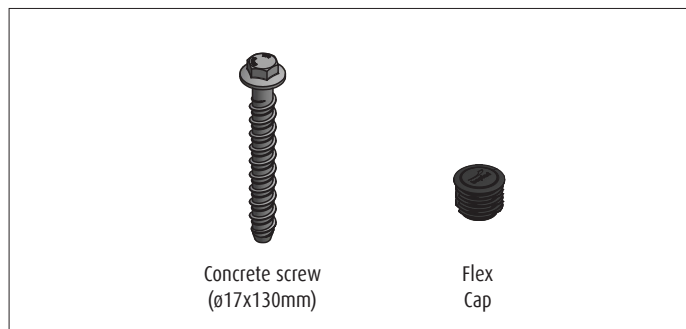
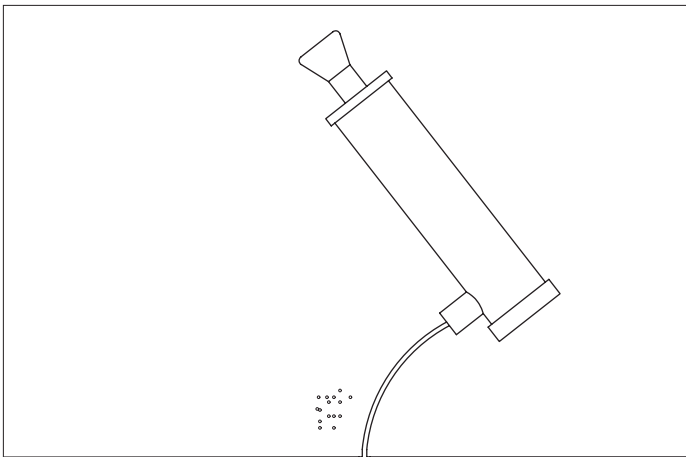


# FLIP PLUS

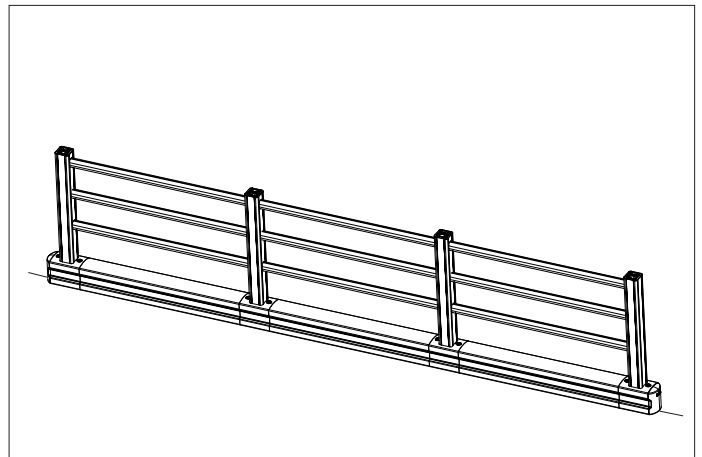
## INSTALLATION SHEET

Reference: PL2300-...

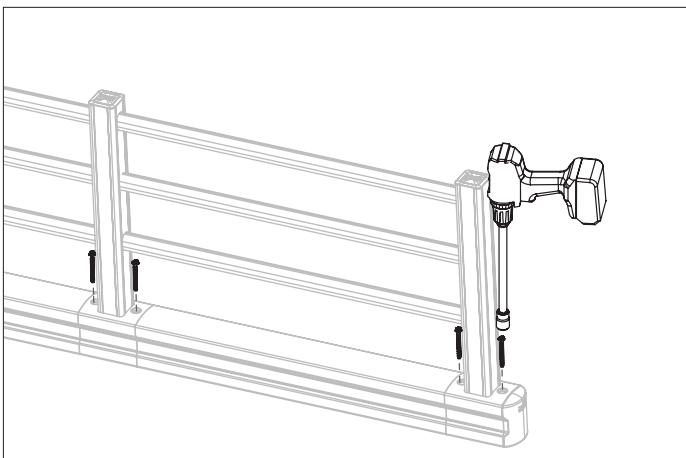




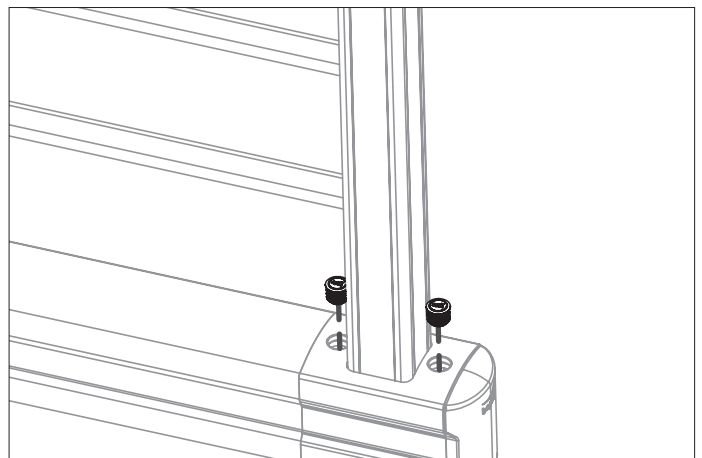
**5** Remove dust



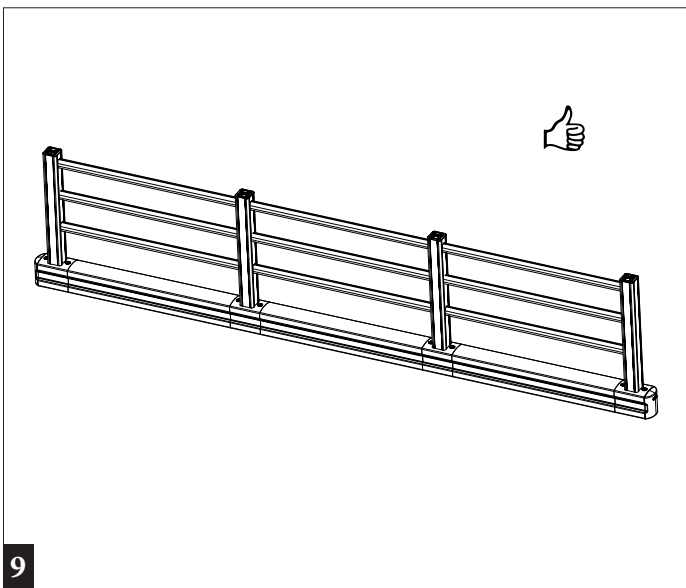
**6** Put product back in place and align the holes



**7** Position the screws and tighten with impact wrench.  
Torque = 100 Nm



**8** Mount flex caps in holes on each post



**9**