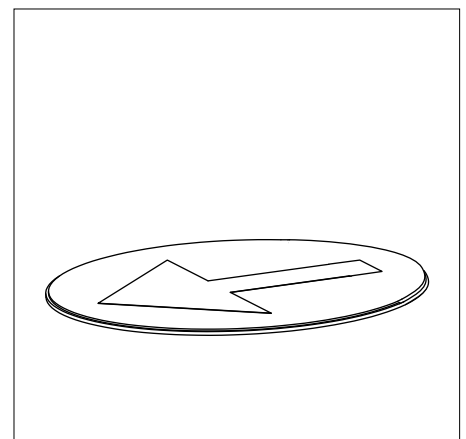
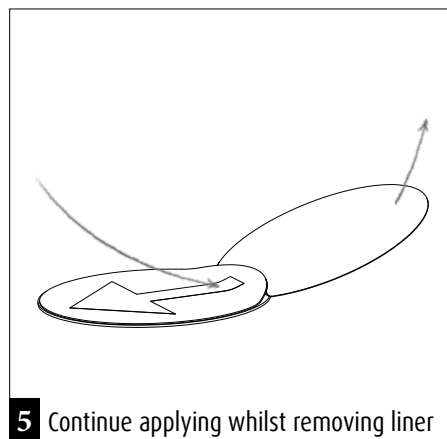
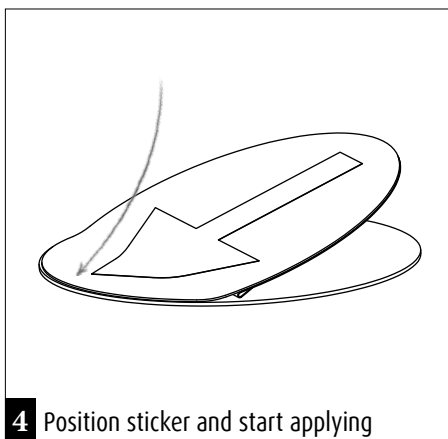
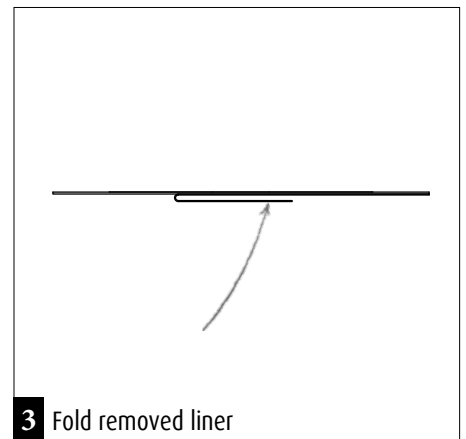
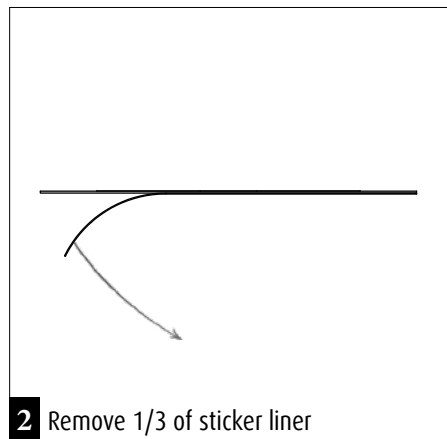
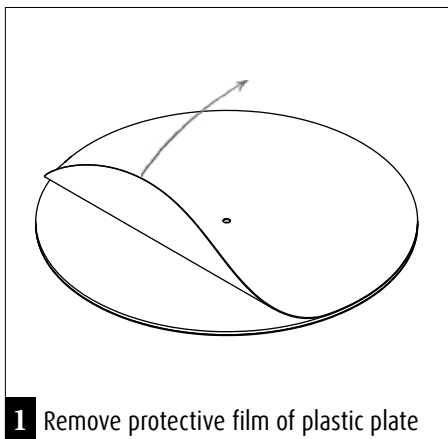
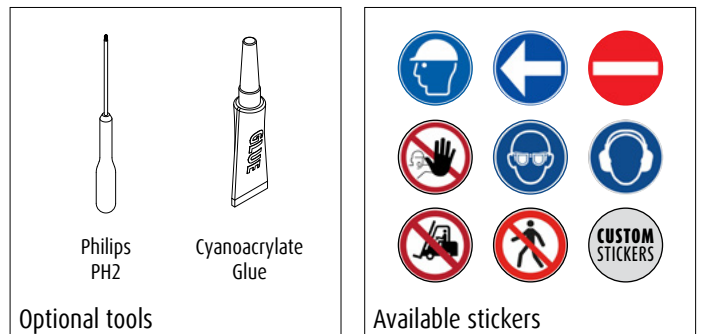
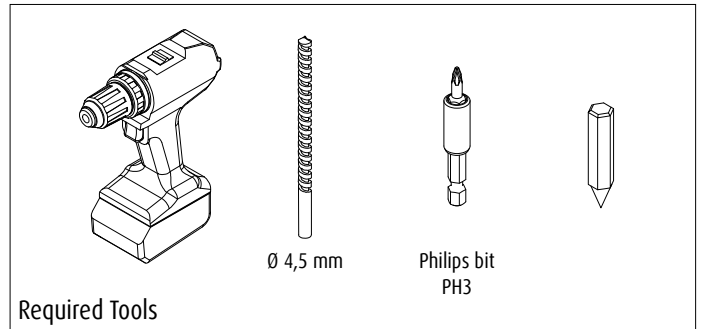


# SIGN MARK 200

## INSTALLATION SHEET

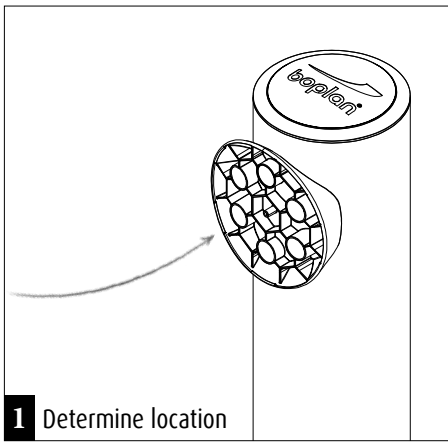
SS0001-0200-...



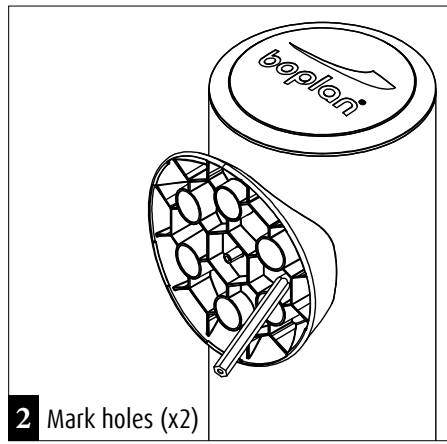
For more information, please visit [www.boplan.com](http://www.boplan.com)

Rev: 29 November 2021 3:56 pm

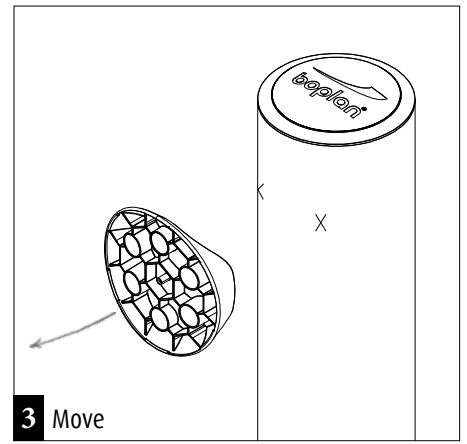




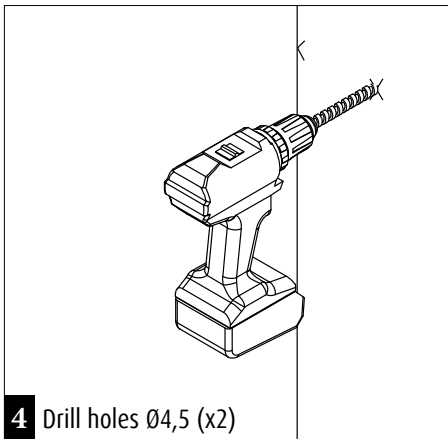
**1** Determine location



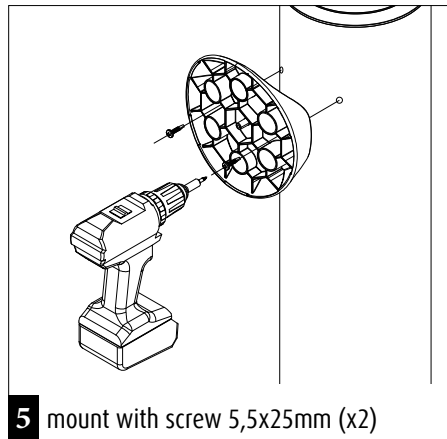
**2** Mark holes (x2)



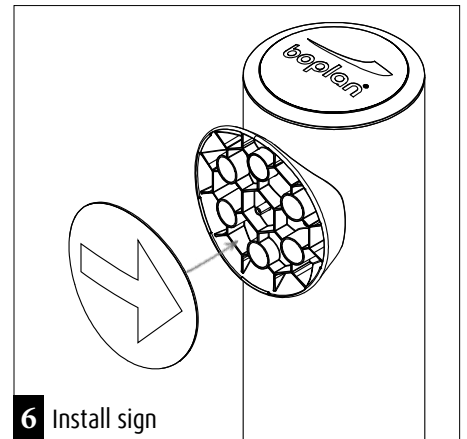
**3** Move



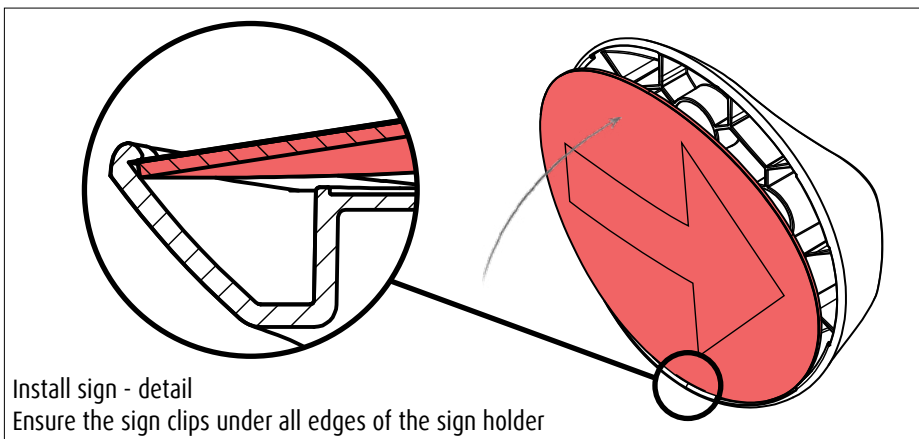
**4** Drill holes Ø4,5 (x2)



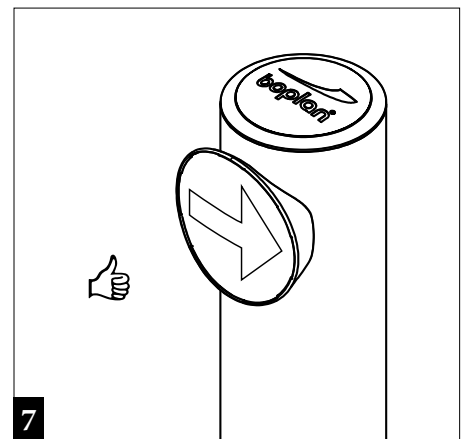
**5** mount with screw 5,5x25mm (x2)



**6** Install sign

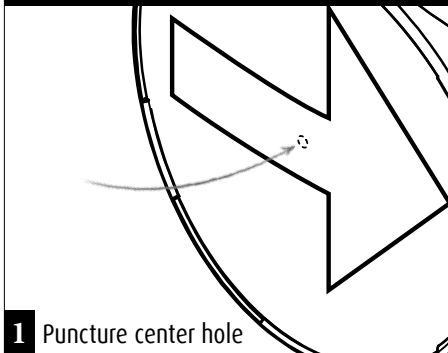


Install sign - detail  
Ensure the sign clips under all edges of the sign holder

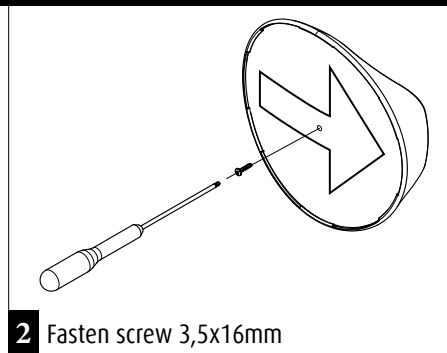


**7**

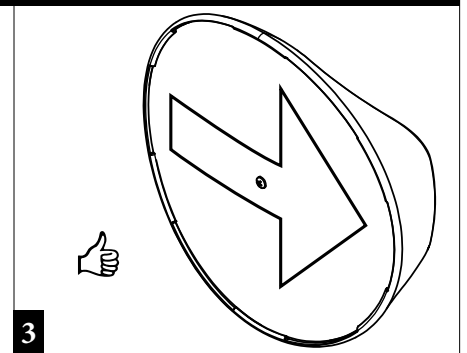
Optional Sign Board Screw fixation



**1** Puncture center hole



**2** Fasten screw 3,5x16mm



**3**



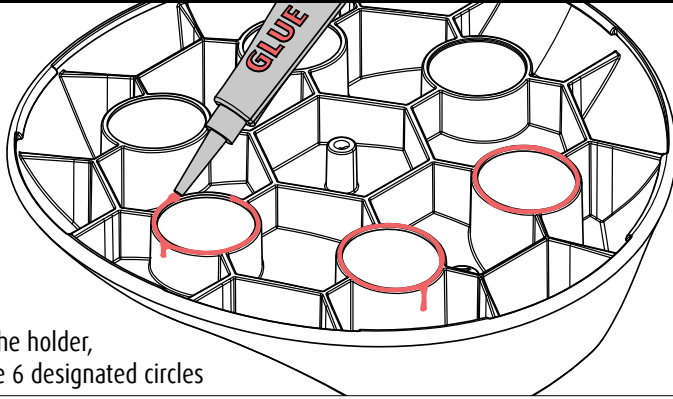
For more information, please visit [www.boplan.com](http://www.boplan.com)

Rev: 29 November 2021 3:56 pm

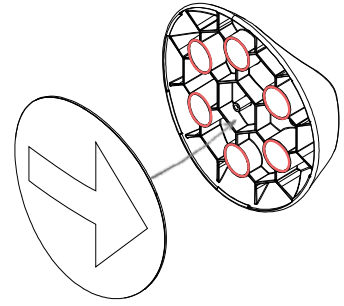


Optional permanent glue fixation

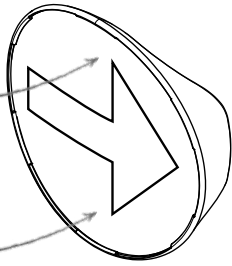
⚠ After gluing, the mounting holes are no longer accessible.



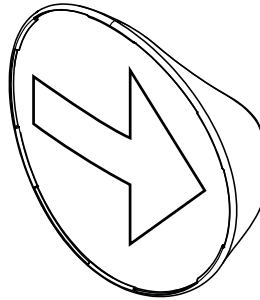
**1** After mounting the holder, apply glue on the 6 designated circles



**2** Install sign plate



**3** Apply pressure as specified on glue packaging



**4**



For more information, please visit [www.boplan.com](http://www.boplan.com)

Rev: 29 November 2021 3:56 pm

