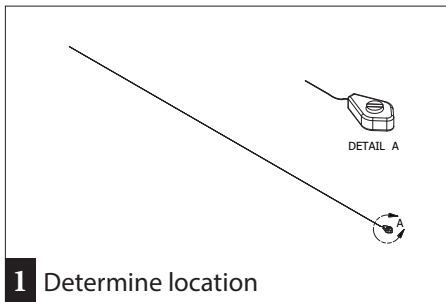
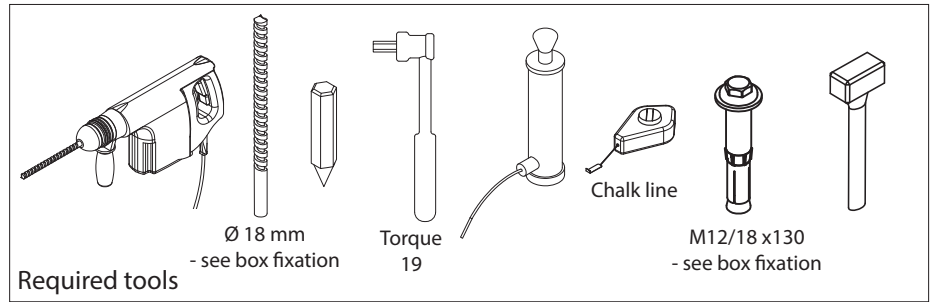


TB DOUBLE

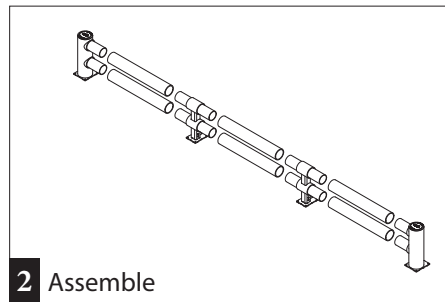
DT4000-00...

DT2600-00...

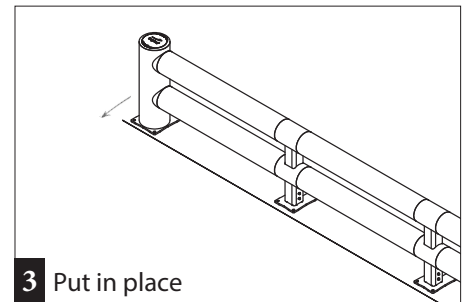
INSTALLATION SHEET



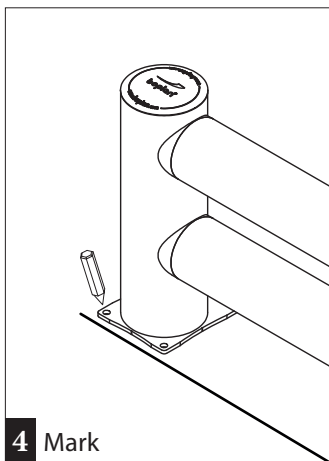
1 Determine location



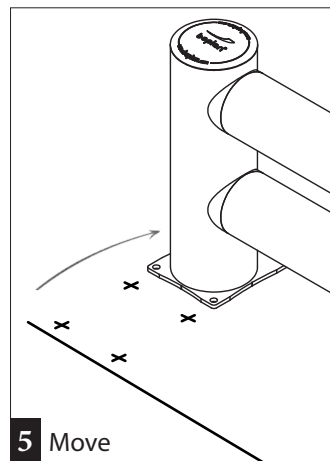
2 Assemble



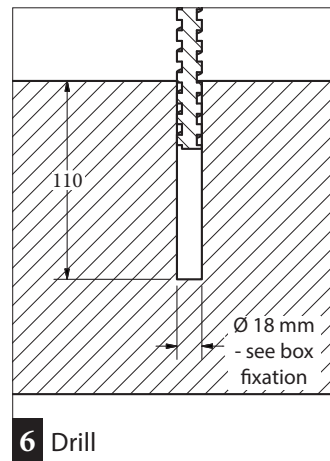
3 Put in place



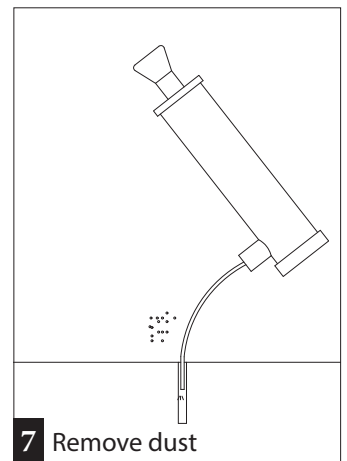
4 Mark



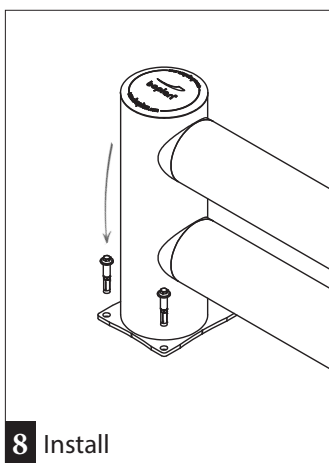
5 Move



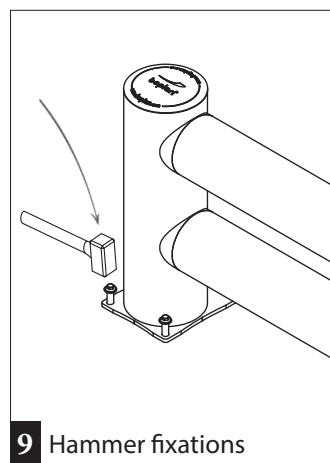
6 Drill



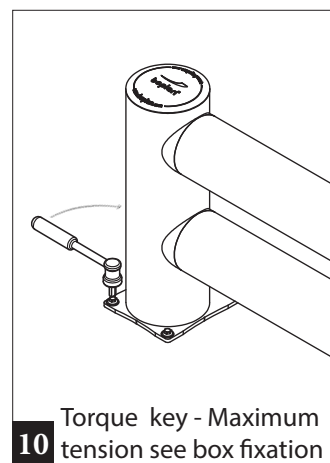
7 Remove dust



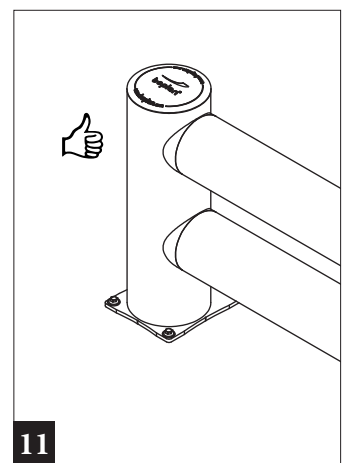
8 Install



9 Hammer fixations



10 Torque key - Maximum tension see box fixation



11



For more information, please visit www.boplan.com

Rev: 3 January 2023 3:36 pm

