

# AXES GATE

## INSTALLATION SHEET

Reference: AG01...



Opening in mm: 500, 690, 870, 950, 1130  
 Opening in inch: 20, 27, 34, 37, 44

Overlap min 80mm

Use double axes gate up to 950mm opening as fall protection at heights

Included:

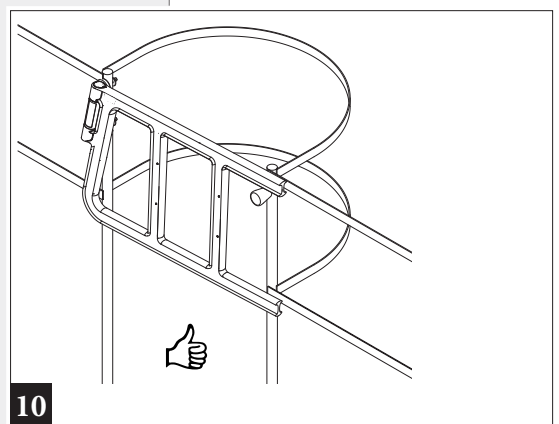
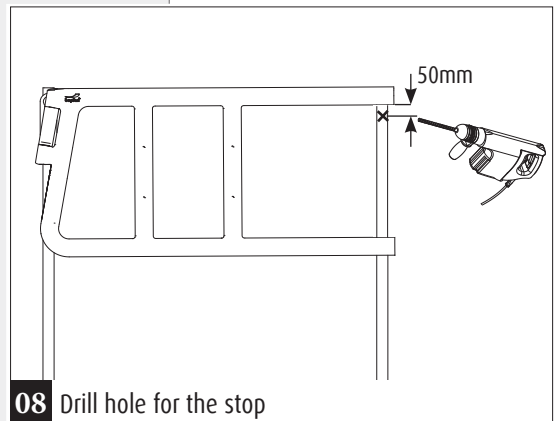
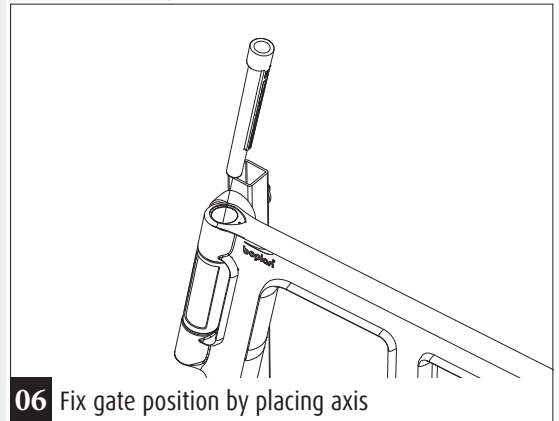
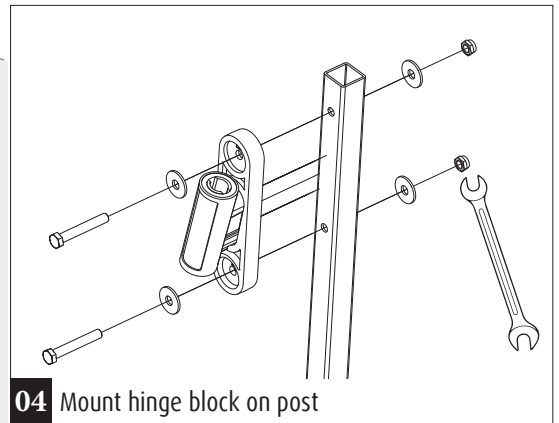
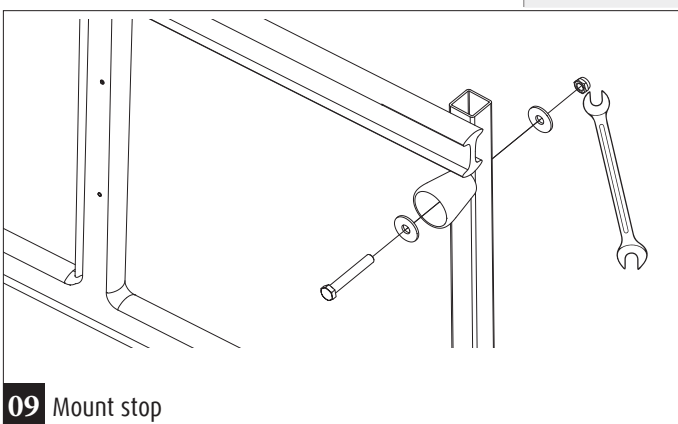
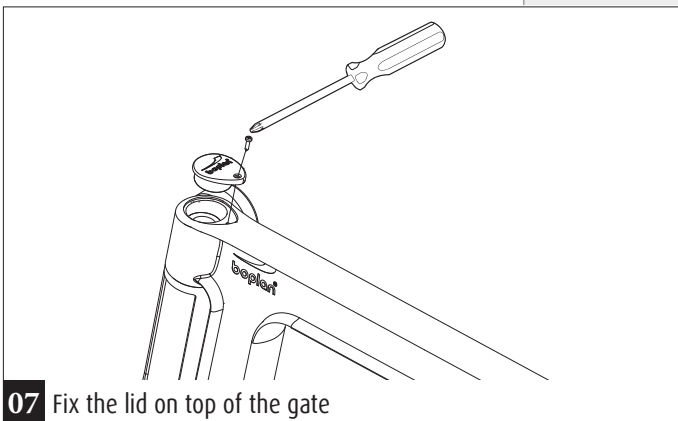
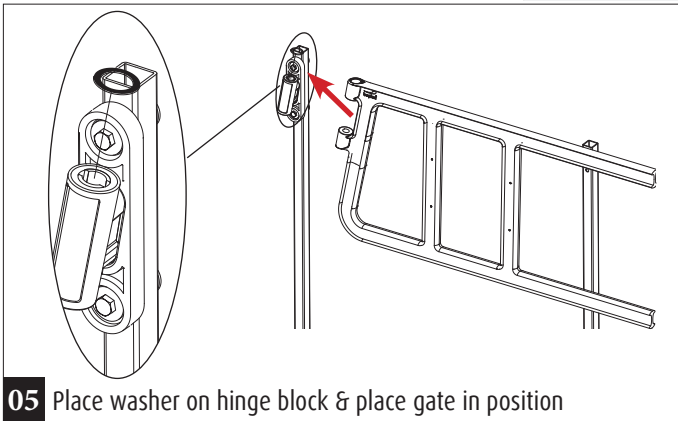
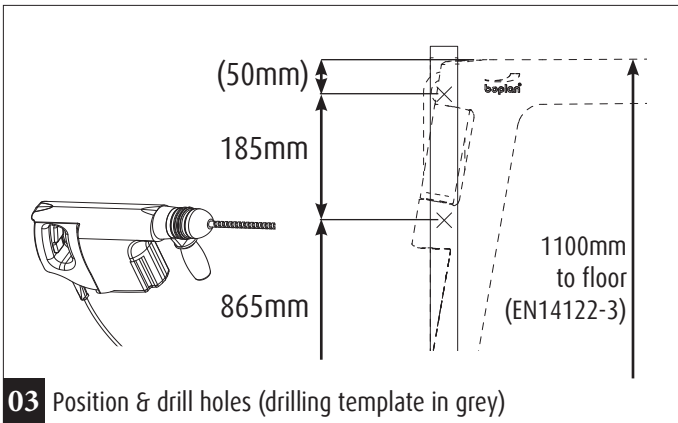
- 2x set
- 3x set
- 1x
- 1x

Required Tools

- Electric drill
- Ø 13 mm
- ALLEN KEY size 6 mm
- Wrench 19
- PH01

**01** Determine the hinge side position

**02** Assemble hinge block in correct position (position visible at front)



185mm