

GP250R

BOLLARDS AND HEIGHT RESTRICTORS

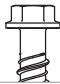




Revision: 13 December 2024 2:53 PM
Boplan reference: GP250R...

PRODUCT SPECIFICATIONS



| APPLICATION | |
|---------------------------|---|
| Protection | Utilizing Boplan's innovative tube-in-tube system, the GP250R is engineered as a robust height restriction solution with an impressive impact resistance up to 10 kJ. It serves as a protection for gates, canopies, bridges, loading docks, and industrial doorways against collisions with high vehicles like elevated work platforms, trucks, and buses. Enhanced by a solid base defender, it effectively absorbs collision forces while ensuring safe distances from pallets. Ensuring protection indoors and outdoors in industrial environments. |
| Impact performance at 90° | POST: 10 200 Joule (Eq. to 3,8 ton - 8,3 km/h) |
| MATERIAL | |
| Posts and rails | Extrilene® - UV resistant - Fire class E ⁺ - Non conductive - Impervious to most chemicals ^{**} |
| Caps | Sustainable elastomer |
| STANDARD COLOUR | |
| Posts | Yellow RAL 1003 |
| Top rail | Yellow RAL 1003 |
| OPTIONAL | |
| Sign Mark 200 | Sign board used to display important messages. It is designed for a perfect fit around the Top Rail and signs can easily be replaced with just a click. |
| BASEPLATE | |
| | Zinc Coated Steel |
| Material | Steel 37 |
| Coating | Electroplated + Laquered |
| Colour | Mat black |

⁺Classification according to EN 13501-1:2007 +A1:2009 - Fire classification of construction products and building elements.
^{**}Ask your local sales office for resistance to specific chemicals.

| | | FIXATIONS | | |
|-------------|-----------------------|---|---|----------------------|
| | | | ZC (Zinc coated) | SS (Stainless steel) |
| STANDARD | Concrete screw |  | Ø17mm x 130mm  | Not available |
| ALTERNATIVE | Wedge anchor |  | Ø18mm (M12) x 130mm  | Not available |
| ALTERNATIVE | Anchor rod (Chemical) |  | M16 x 120mm + chemical resin | Not available |


The anchors specified in this document are metric. Imperial anchors are available on demand.



FEATURES AND FUNCTIONALITY - GP250R

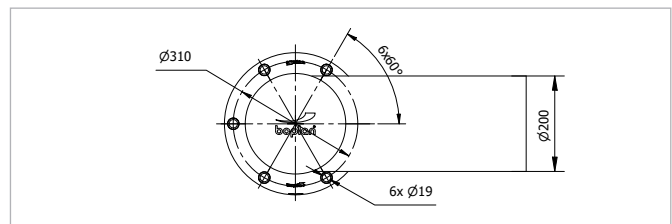
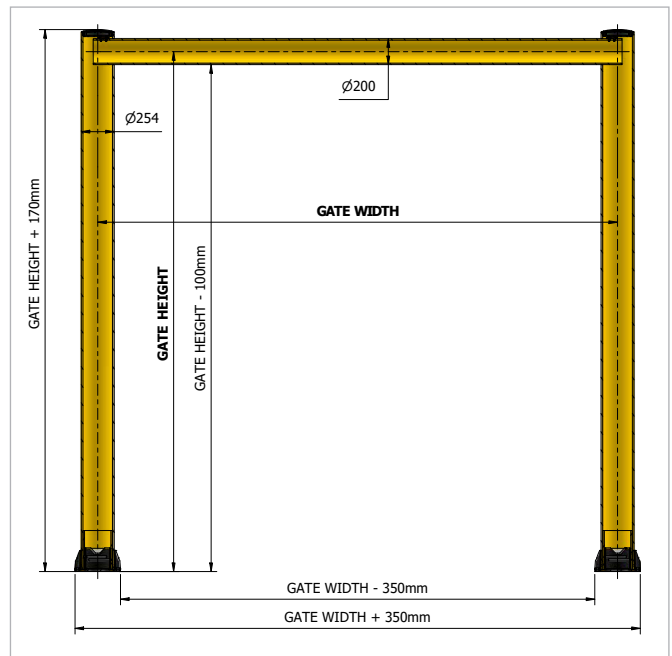
| SIZE | |
|---------------------|---|
| Inner Height | min. 1900 - max. 5900 mm |
| Inner Width | min. 1546 - max. 5746 mm |
| Vertical frame post | Outer tube: Ø254 mm |
| Horizontal top rail | Ø200 mm |
| Baseplate | Ø350 mm (15 mm thick) |
| Base Defender | Top: Ø250 mm Base: Ø354 mm Height: 150 mm |



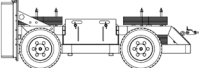
| REQUIREMENTS | |
|---|---|
| Concrete quality | minimum C25/30 |
| Concrete floor plate thickness (mm) | minimum 150 mm |
| Concrete slab dimension around posts (mm) | 1000 (h) x 1000 (w) x 700 (d) |
| Operational temperature | -10°C up to +40°C |
| Water and humidity | Zinc coated: outdoor use in most environments. |
| When higher than 4 meters | (wall) connection needed |

| boplan IMPACT LABEL SAFETY GATES | |  |
|---|--------|---|
| GOAL POST 250R | | |
| BOPLAN IMPACT CATEGORY | RATING | 90° |
| X | 50 kJ | |
| T | 40 kJ | |
| F | 30 kJ | |
| R | 25 kJ | |
| R | 20 kJ | |
| R | 17 kJ | |
| R | 15 kJ | |
| R | 12 kJ | |
| B | 10 kJ | |
| B | 7.5 kJ | |
| L | 5.0 kJ | |
| L | 2.5 kJ | |
| L | 0.5 kJ | |

10 200 Joule

*Dynamic impact result: 10 200 Joule

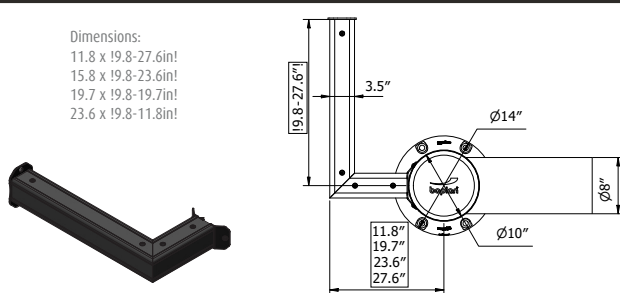
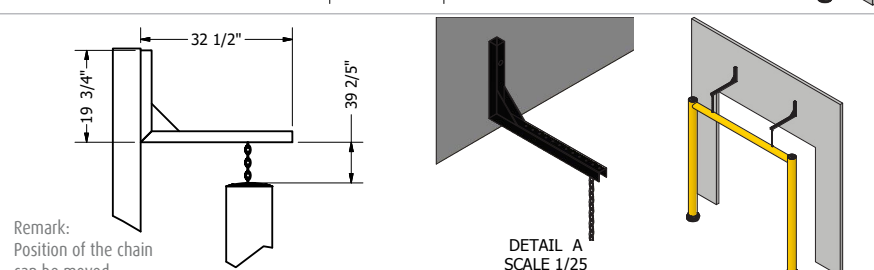


| | | |
|---|--|--|
| IMPACT TEST RESULTS AT 90° Product: GP250R1-4000-S200YEZ - 4000 mm / 13 ft Deflection Post (α) At maximum impact energy | |  <p>α = 8.6°</p> |
| TEST CONDITIONS FOLLOWING PAS13: 2017 TEMPERATURE: 20°C / 68°F IMPACT ON MIDDLE OF POST IMPACT HEIGHT: 300 mm / 11 Inch TEST FLOOR: CONCRETE SLAB C25/30 - 150 mm / 6 Inch | | BOPLAN TEST LAB Muizelstraat 12 8560 Moorsele Belgium  |
| TEST VEHICLE: TYPE: BOPLAN IMPACT TEST VEHICLE WEIGHT: 3775 Kg / 8322.45 lbs SIZE (L x W x h): 3100 x 1100 x 1150 mm / 122 x 43.3 x 45.3 Inch CONTACT AREA, STEEL BUMPER WIDTH: 1000 mm / 39.4 Inch  | | |
| <small>* IMPACT VALUE ACCOUNTING FOR BARRIER DEFORMATION DURING IMPACT</small> | | IL-GP250R-20241106 |

REFERENCE LIST - GP250R

| POSTS | |
|--|----------------------|
| GP250R Posts - 2000-3000mm Yellow ZC | GP250R1-3000-S200YEZ |
| GP250R Posts - 3100-4000mm Yellow ZC | GP250R1-4000-S200YEZ |
| GP250R Posts - 4100-6000 Yellow ZC (Wall connection mandatory but NOT included) | GP250R1-6000-S88YEZ |

| TOP RAIL | |
|---|---------------------|
| GP250R Top rail - 1800-2500mm Yellow | GP250R1-2500-TR00YE |
| GP250R Top rail - 2600-4000mm Yellow | GP250R1-4000-TR00YE |
| GP250R Top rail - L 4100-6000mm Yellow Reinforced | GP250R1-6000-TRRBYE |

| SUPPORT | | |
|---|--|--|
| Wall connection plastic system Black (Ref. = 1 piece) | GP250R-0300-0700-WBL GP250R-0400-0600-WBL GP250R-0500-0500-WBL GP250R-0600-0400-WBL | Dimensions: 11.8 x 19.8-27.6in! 15.8 x 19.8-23.6in! 19.7 x 19.8-19.7in! 23.6 x 19.8-11.8in!  |
| Wall connection - for top rail metal with chain (Ref. = 1 piece) | GP0099-0002-WCP0BL |  <p>Remark: Position of the chain can be moved.</p> <p>DETAIL A SCALE 1/25</p> |

