





# GP250R

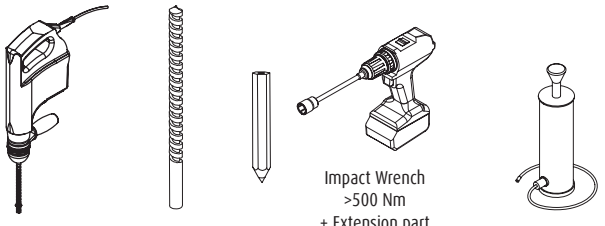
## INSTALLATION SHEET

Reference: GP250R...



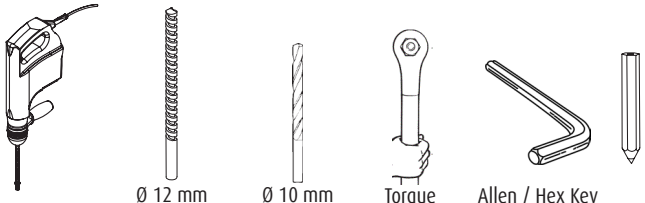
			<b>Optional Wall Mount</b>
12x Concrete screw ( $\varnothing 17 \times 130 \text{ mm}$ )	12x Flanged spacer $\varnothing 19 \times \varnothing 27 \times \varnothing 32 \text{ mm}$	2x Top Rail Connection	
Included:			4x Expansion Anchor ( $\varnothing 12 \times 118 \text{ mm}$ )

**Required Tools**



Electric drill  
 $\varnothing 14 \text{ mm}$   
Impact Wrench  
>500 Nm  
+ Extension part  
+ Socket SW21  
Dust remover (Air)

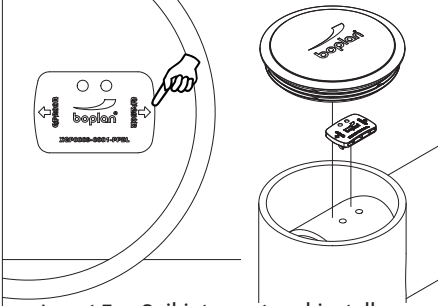
**Required tools optional Wall Mount**



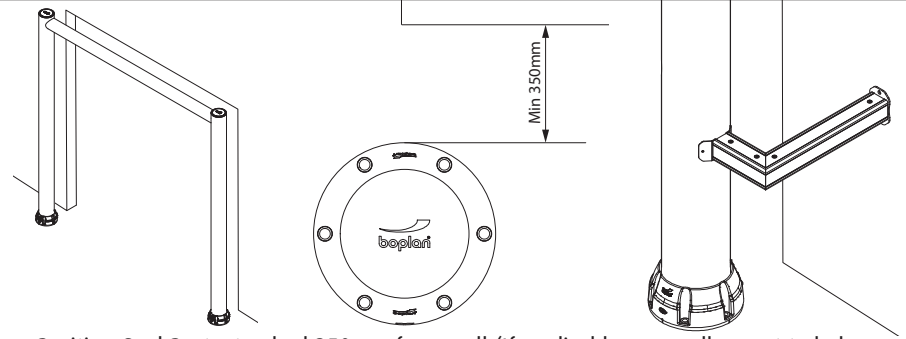
Electric drill  
 $\varnothing 12 \text{ mm}$  Concrete drill  
 $\varnothing 10 \text{ mm}$  Metal drill  
Torque Socket 19  
Allen / Hex Key wrench Nr. 5

**Required Tools**

**1** Insert Top Rail into post and install Top Rail Connection parts. Align arrow corresponding to product

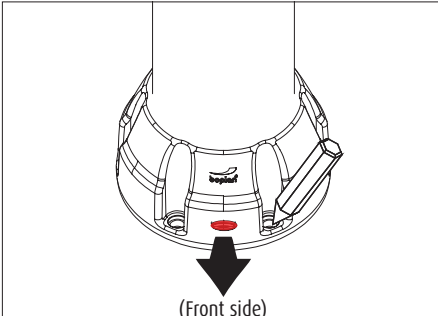


**2** Position Goal Post, standard 350mm from wall (If applicable, use wall mount to help determine distance from wall)

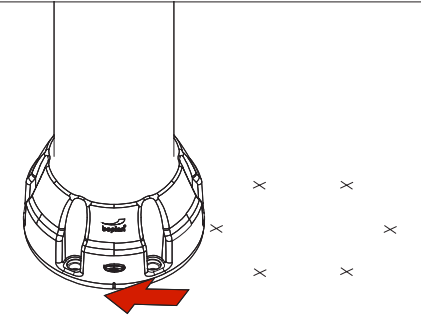


**3** Position Base Defender and mark location of the 6 holes.

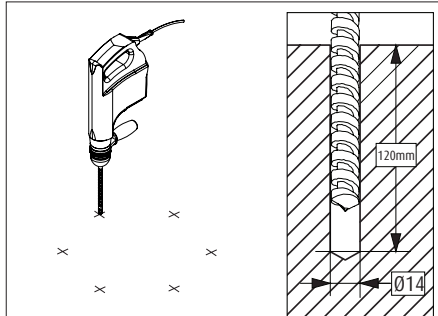
(Front side)

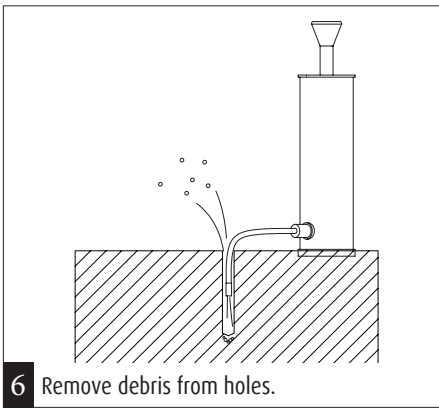


**4** Move product away

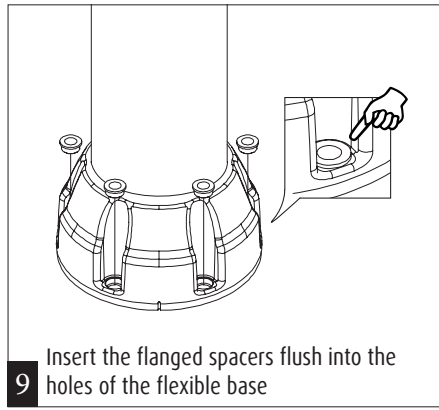


**5** Drill all holes  $\varnothing 14 \times 120 \text{ mm}$ .

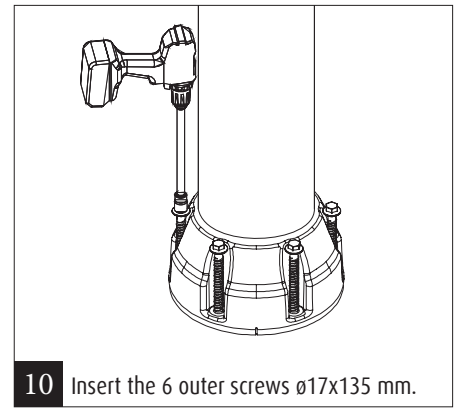




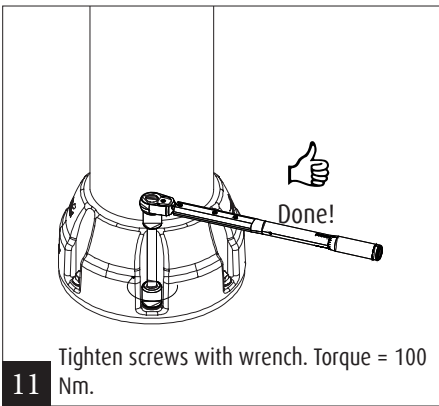
6 Remove debris from holes.



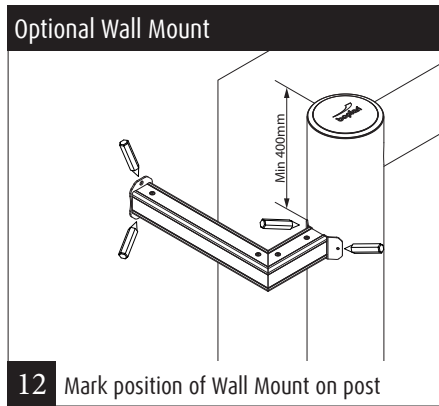
9 Insert the flanged spacers flush into the holes of the flexible base



10 Insert the 6 outer screws  $\varnothing 17 \times 135$  mm.

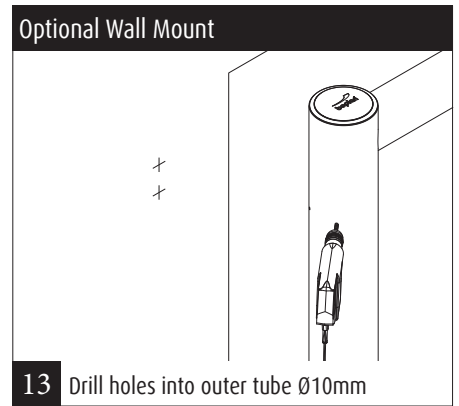


11 Tighten screws with wrench. Torque = 100 Nm.



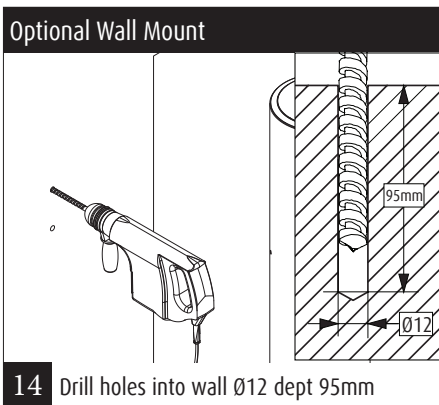
Optional Wall Mount

12 Mark position of Wall Mount on post



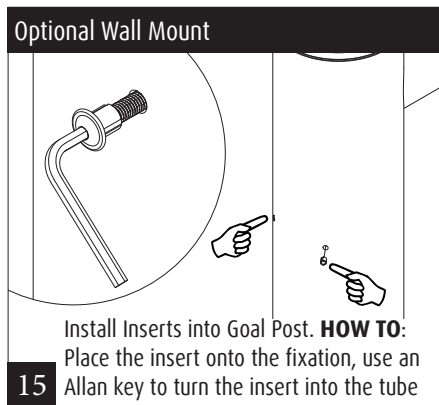
Optional Wall Mount

13 Drill holes into outer tube  $\varnothing 10$ mm



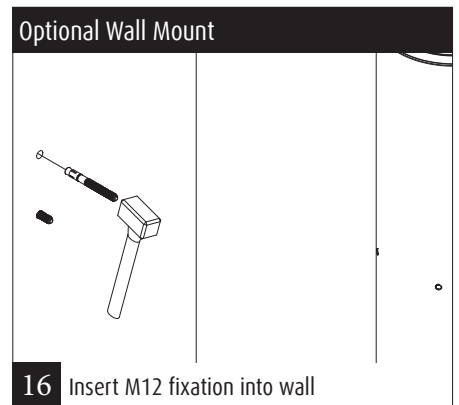
Optional Wall Mount

14 Drill holes into wall  $\varnothing 12$  dept 95mm



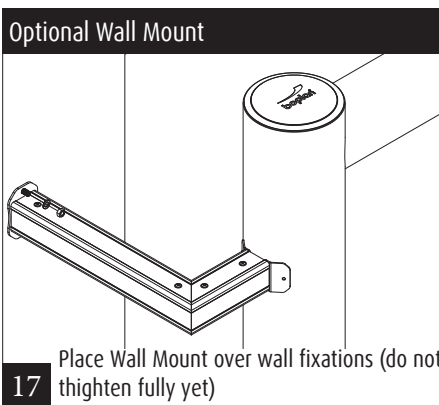
Optional Wall Mount

15 Install Inserts into Goal Post. **HOW TO:** Place the insert onto the fixation, use an Allen key to turn the insert into the tube



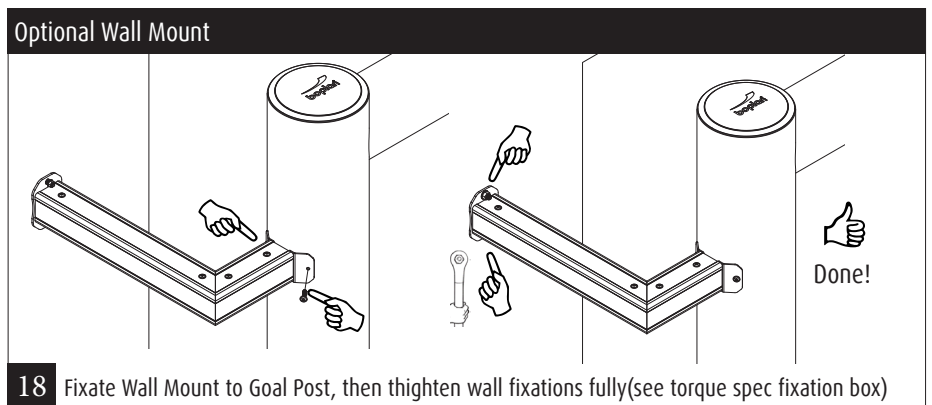
Optional Wall Mount

16 Insert M12 fixation into wall



Optional Wall Mount

17 Place Wall Mount over wall fixations (do not tighten fully yet)



Optional Wall Mount

18 Fixate Wall Mount to Goal Post, then tighten wall fixations fully (see torque spec fixation box)