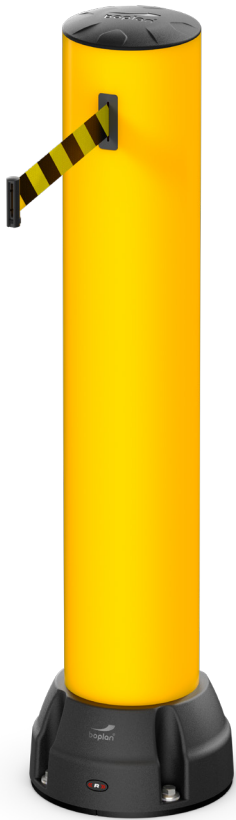


BO BELT BOPLAN BOLLARDS AND HEIGHT LIMITERS

Revision: 20 March 2024 11:45 AM
Boplan reference: BO200R0-1200-00...



PRODUCT SPECIFICATIONS

APPLICATION	
Environment	The BO Belt seamlessly combines the BO200R bollard with an integrated Belt Barrier, providing a swift closing system for restricted areas. The belt's automatic retraction ensures rapid opening and closing. For added safety, the belt includes an auto-locking feature, requiring a click to open. A key lock on the opposite side secures the barrier and can be integrated into the BO200R or mounted separately. This impact-resistant solution is designed for indoor use.
Impact performance	10 200 Joule (Eq. to 3,8 ton - 8,3 km/h)
Features	Colors: Highly visible due yellow/black stripes of the webbing. Automatic retracting mechanism
MATERIAL	
Belt	Webbing: Nylon
Tube	Extrilene® - UV resistant - Fire class E* - Non conductive - Impervious to most chemicals**
Caps	Sustainable elastomer
Base Defender	Sustainable elastomer
Base Shield	Sustainable elastomer
STANDARD COLORS	
Belt	Yellow / Black
Tube	Yellow
Caps	Black
BASEPLATES	
	Zinc Coated Steel
Material	Steel 37
Coating	Electro plating + Lacquered
Color	Mat black

*Classification according to EN 13501-1:2007 +A1:2009 - Fire classification of construction products and building elements.
**Ask your local sales office for resistance to specific chemicals.

FIXATIONS

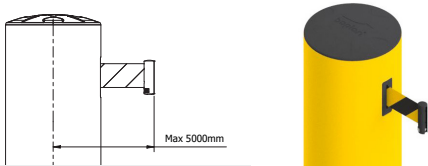

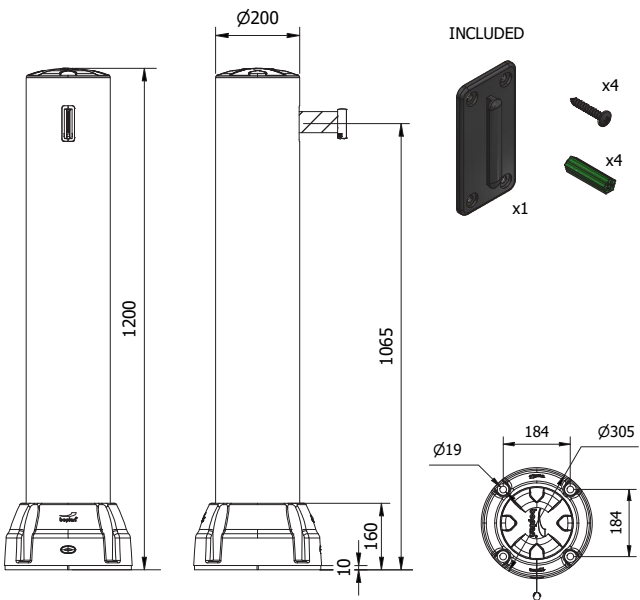
			ZC (Zinc coated)	SS (Stainless steel)
STANDARD	Concrete screw		Ø17mm x 130mm	Not available
	Wedge anchor		Ø18mm (M12) x 130mm	Ø18mm (M12) x 130mm
ALTERNATIVE	Asphalt anchor		Bolt M16 x 50mm + Screw Ø22 x 100mm	Not available

FEATURES AND FUNCTIONALITY - BO BELT

SIZE	
Height	1200 mm
Profile section post	Tube: Ø200 mm (11 mm thick)
Baseplate	Ø300 mm (10 mm thick)
Base Defender	Top: Ø200 mm Base: Ø304 mm Height: 150 mm
Base Shield (optional)	Top: Ø200 mm Base: Ø325 mm Height: 175 mm

REQUIREMENTS	
Concrete quality	minimum C25/30
Concrete floor plate thickness (mm)	minimum 150 mm
Concrete slab dimension around posts (mm)	700 (h) x 700 (w) x 600 (d)
Operational temperature	-10°C up to +40°C
Water and humidity	Zinc coated: Indoor and outdoor use in most environments.*

*Bollard with integrated Belt Barrier - Indoor use only

REFERENCES			
BO200R0-1200-00BBYEZ	Bollard 200R with integrated Belt Barrier and Key Lock	BO200R0-1200-00KLYEZ	Bollard 200R with integrated Key Lock
			
 <p>INCLUDED</p> <ul style="list-style-type: none"> x1 Base Defender x4 Screws x4 Washers 		