

# GOAL POST 200

## BOLLARDS AND HEIGHT RESTRICTORS





Revision: 30 May 2024 5:03 PM  
Boplan reference: GP200...



### PRODUCT SPECIFICATIONS

APPLICATION		
Protection	Cost effective solution for the protection of gates, canopies and bridges from collisions with high vehicles, such as elevated work platforms, trucks and buses.	
Impact performance at 90°	POST: 3200 Joule (Eq. to 2,5 ton - 5,7 km/h)	
MATERIAL		
Posts and rails	Extrilene® - UV resistant - Fire class E* - Non conductive - Impervious to most chemicals**	
Caps	Sustainable elastomer	
STANDARD COLOURS		
Posts	Yellow RAL 1003	
Top rail	Yellow RAL 1003	
BASEPLATES		
	Zinc Coated Steel	Stainless steel
Material	Steel 37	Stainless steel 304
Coating	Electroplated + Laquered	No lacquer / No coating
Colour	Mat black	Natural colour

\*Classification according to EN 13501-1:2007 +A1:2009 - Fire classification of construction products and building elements.  
\*\*Ask your local sales office for resistance to specific chemicals.

		FIXATIONS	
		ZC (Zinc coated)	SS (Stainless steel)
STANDARD	Wedge anchor	 Ø18mm (M12) x 130mm	Ø18mm (M12) x 130mm
	Anchor rod (Chemical)	 M16 x 120mm + Chemical resin	M16 x 120mm + Chemical resin
ALTERNATIVES	Concrete screw	 Ø17mm x 135mm	Not available
	Asphalt anchor	 Bolt M16 x 50mm + Screw Ø22 x 100mm	Not available



**FEATURES AND FUNCTIONALITY - GOAL POST 200**

SIZE	
Inner Height	min. 2000 - max. 4500 mm
Inner Width	min. 1800 - max. 4000 mm
Vertical frame post	Outer tube: Ø200 mm (11 mm thick) Inner profile: 112 mm x 112 mm (10 mm thick)
Horizontal top rail	Ø125 mm (10 mm thick)
Touch barrier (optional)	Ø125 mm (10 mm thick)
Baseplate	230 mm x 230 mm (12 mm thick)

REQUIREMENTS	
Concrete quality	minimum C25/30
Concrete floor plate thickness (mm)	minimum 150 mm
Concrete slab dimension around posts (mm)	1000 (h) x 1000 (w) x 600 (d)
Operational temperature	-10°C up to +40°C
Water and humidity	<b>Steel (standard):</b> dry indoor use only. <b>Zinc coated:</b> outdoor use in most environments. <b>Stainless Steel:</b> outdoor use or frequent exposure to water and humidity.
When higher than 4 meters	(wall) support needed

**boplan** **IMPACT LABEL FOR SAFETY BARRIERS**

**BOPLAN GP200**

IMPACT RATING	Energy (kJ)	
	45°	90°
E80	< 80 kJ	
E60	< 60 kJ	
E50	< 50 kJ	
E40	< 40 kJ	
E35	< 35 kJ	
E30	< 30 kJ	
E25	< 25 kJ	
E20	< 20 kJ	
E15	< 15 kJ	
E10	< 10 kJ	
E5	< 5,0 kJ	4,5 kJ
E2	< 2,5 kJ	3,2 kJ

**TEST CONDITIONS**

TEMPERATURE: 20°C  
IMPACT HEIGHT: 300 mm  
IMPACT ANGLE: 90°  
TEST FLOOR: CONCRETE C25/30 - 160 mm  
MANUFACTURER ANCHOR PULL OUT: 17 kN

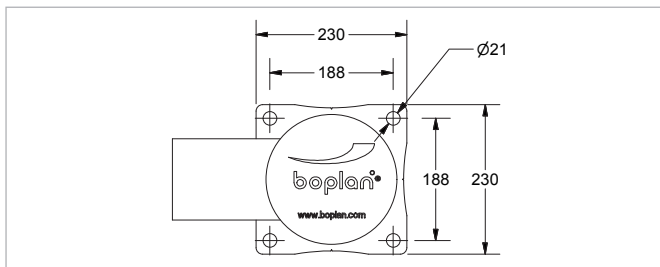
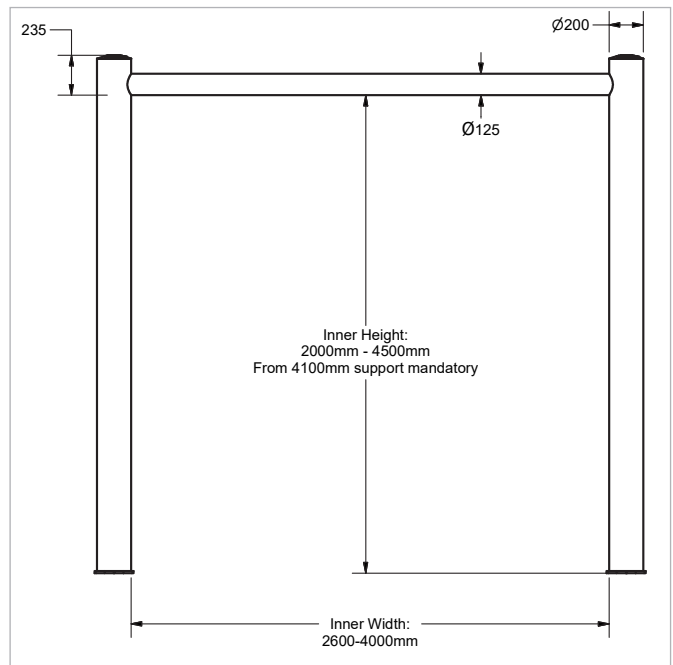
**TEST VEHICLE**

WEIGHT: 2300 KG  
TYPE: COMMERCIAL FORK LIFT  
SIZE (L x W x h): 1890 x 1020 x 1970 mm  
CONTACT AREA: STEEL BUMPER WIDTH: 600 mm

**BOPLAN TEST LAB**

Muizelstraat 12  
8560 Moorsele  
Belgium

**SUCCESS CRITERIA** VEHICLE STOPPED - ASI (ACCELERATION SEVERITY INDEX) < 0.5



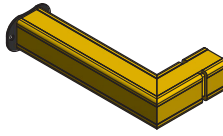
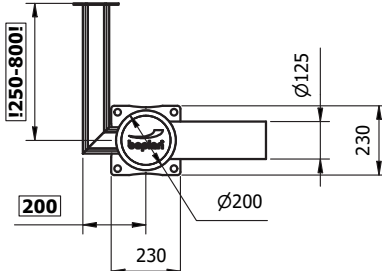
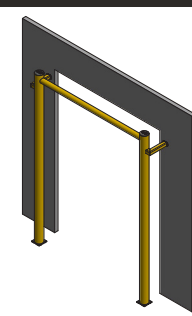

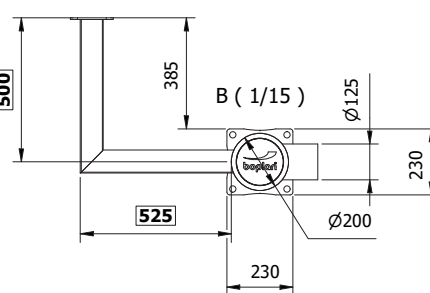
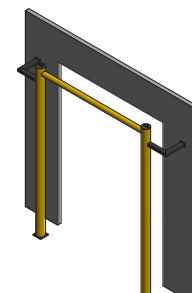
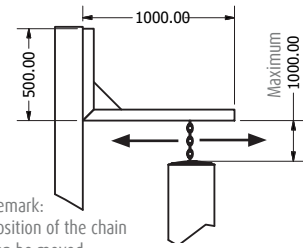
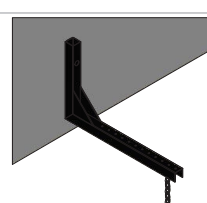
**REFERENCE LIST - GOAL POST 200**

POSTS	
Bollard post - 2000-3000mm ZC Bollard post - 2000-3000mm SS	GP2001-3000-S200YEZ GP2001-3000-S200YES
Bollard post - 3100-4000mm ZC Bollard post - 3100-4000mm SS	GP2001-4000-S200YEZ GP2001-4000-S200YES
Bollard post - 4100-4500 (support R88) ZC Bollard post - 4100-4500 (support R88) SS <b>(support mandatory but NOT included)</b>	GP2001-4500-S88YEZ GP2001-4500-S88YES
Bollard post - 4100-4500 (support Metal 80) ZC Bollard post - 4100-4500 (support Metal 80) SS <b>(support mandatory but NOT included)</b>	GP2001-4500-S80YEZ GP2001-4500-S80YES

TOP RAIL	
Top rail - 1800-2500mm	GP2001-2500-TR00YE
Top rail - 2600-4000mm	GP2001-4000-TR00YE

TOUCH BARRIER	
Touch barrier - 1800-2500mm	GP1251-2500-TB00YE
Touch barrier - 2600-4000mm	GP1251-4000-TB00YE

SUPPORT		
Wall connection plastic system Yellow  (Ref. = 1 piece)	GP88-0200-0800-WCYE GP88-0300-0700-WCYE GP88-0400-0600-WCYE GP88-0500-0500-WCYE GP88-0600-0400-WCYE	<p>Dimensions: 200 x !250-800mm! 300 x !250-700mm! 400 x !250-600mm! 500 x !250-500mm! 600 x !250-400mm!</p>   
Wall connection metal click system Elbow - 500x500mm Black  (Ref. = 1 piece)	GP0080-0500-0500BL	  
Wall connection - for top rail metal with chain  (Ref. = 1 piece)	GP0099-0002-WCP0BL	 <p>Remark: Position of the chain can be moved.</p>  <p>DETAIL A SCALE 1/25</p> 