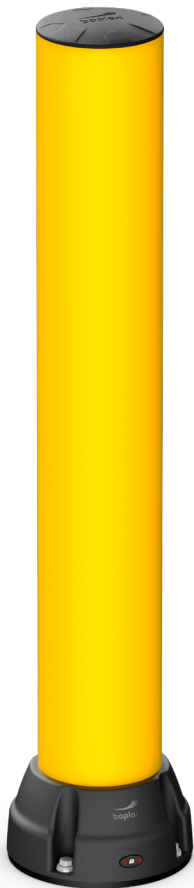


BO170B BOPLAN BOLLARDS AND HEIGHT LIMITERS



Revision: 8 March 2024 5:15 PM
Boplan reference: BO170B...



PRODUCT SPECIFICATIONS

APPLICATION		
Environment	The BO170B provides reliable protection for gates, access ways, corners, and machinery. With its medium-sized diameter, this solution strikes an ideal balance between strength and practicality. Robust yet flexible, it is suitable for both indoor and outdoor environments. Due to the large Base, pallets are kept at a certain distance from the bollard to protect hands and prevent injury. Ideal for situations with a moderate risk of collisions.	
Impact performance	7500 Joule (Eq. to 3,8 ton - 4.5 mph)	
MATERIAL		
Tube	Extrilene® - UV resistant - Fire class E* - Non conductive - Impervious to most chemicals**	
Cap	Sustainable elastomer	
Base Defender	Sustainable elastomer	
COLORS		
Bollard	Standard: Yellow RAL 1003 Also available in Black RAL 9005 (Multicolor)	
Base Defender	Standard: Black RAL 9005	
OPTIONAL		
Stripes	Colored reflective stripes providing a high level of visibility.	
BASEPLATES		
	Zinc Coated Steel	Stainless steel
Material	Steel 37	Stainless steel 304
Coating	Electroplated + Lacquered	No lacquer / No coating
Color	Mat black	Natural color

*Classification according to EN 13501-1:2007 +A1:2009 - Fire classification of construction products and building elements.
**Ask your local sales office for resistance to specific chemicals.

		FIXATIONS	
		ZC (Zinc coated)	SS (Stainless steel)
STANDARD	Concrete screw	 Ø14mm x 130mm	Not available
	Wedge anchor	 Ø12mm (M12) x 135mm	Ø12mm (M12) x 120mm
ALTERNATIVE	Asphalt anchor	 Bolt M10 x 40mm + Screw Ø16mm	Not available

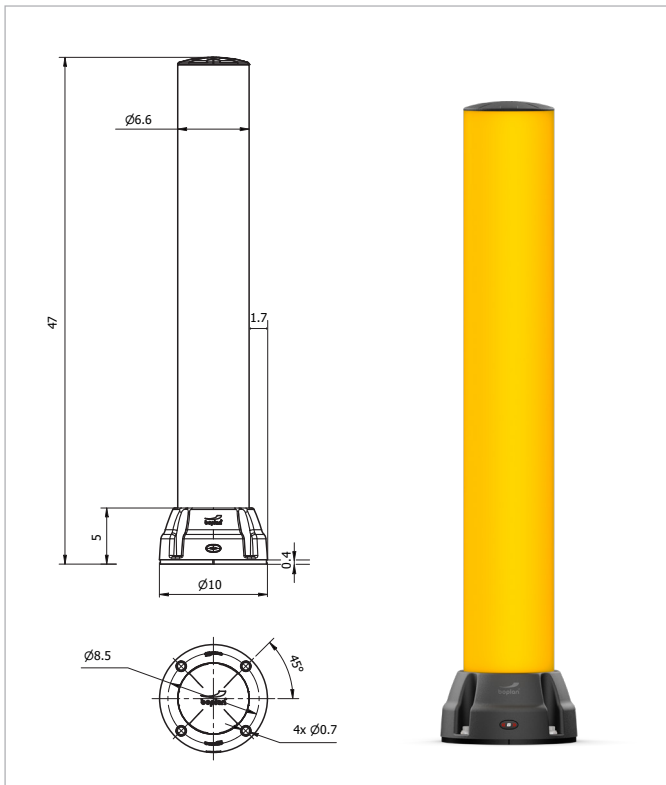


Base Defender with Impact Button

FEATURES AND FUNCTIONALITY - B0170B

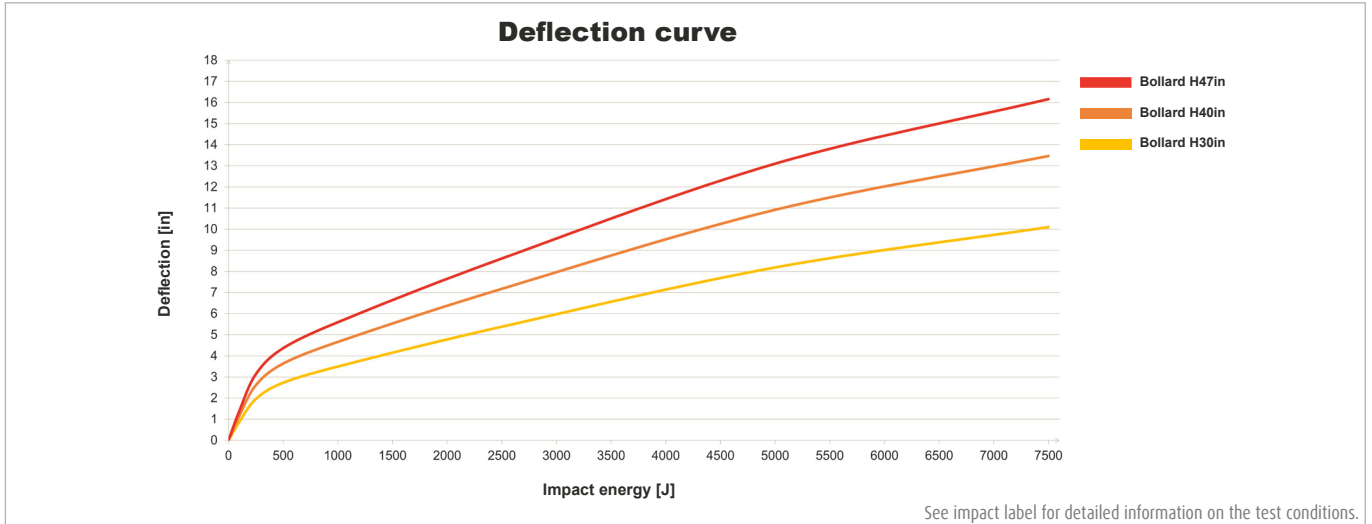
SIZE	
Height	18 in 30 in 40 in 47 in
Profile section	Ø6.6 in (0.4 in thick)
Baseplate	Ø9.8 in (0.4 in thick)
Base Defender	Top: Ø6.6 in Base: Ø10 in Height: 4.8 in

REQUIREMENTS	
Concrete quality	minimum C25/30
Concrete floor plate thickness (in)	minimum 6 in
Concrete slab dimension around posts (in)	24 (h) x 24 (w) x 20 (d)
Operational temperature	14°F up to 104°F
Water and humidity	Zinc coated: Indoor and outdoor use in most environments. Stainless steel: outdoor use or frequent exposure to water and humidity.



boplan		IMPACT LABEL FOR SAFETY BARRIERS	
BOPLAN B0170B			
IMPACT RATING			
E50	< 50 kJ		
E40	< 40 kJ		
E30	< 30 kJ		
E25	< 25 kJ		
E20	< 20 kJ		
E15	< 15 kJ		
E12	< 12 kJ		
E10	< 10 kJ		
E7	< 7.5 kJ	7,5 kJ	
E5	< 5.0 kJ		
E2	< 2.5 kJ		
E1	< 1.0 kJ		
IMPACT RESULTS	$\alpha = 20^\circ$	SUCCESS CRITERIA	
Deflection: At maximum impact energy	$D = 410.4 \text{ mm} / 16.2 \text{ inch}$	VEHICLE STOPPED ASI (ACCELERATION SEVERITY INDEX) < 0.5	
TEST CONDITIONS	TEMPERATURE: 20°C / 68°F IMPACT HEIGHT: 300 mm / 47.2 Inch -> D: 410.4 mm / 16.2 Inch -> $\alpha = 20^\circ$ TEST FLOOR: CONCRETE SLAB C25/30 - 150 mm / 6 Inch	BOPLAN TEST LAB Muizelstraat 12 8560 Moorsele Belgium	
TEST VEHICLE:	TYPE: BOPLAN IMPACT TEST VEHICLE WEIGHT: 3775 Kg / 8322.45 lbs SIZE (L x W x h): 3100 x 1100 x 1150 mm / 122 x 43 1/4 x 45 1/4 Inch CONTACT AREA, STEEL BUMPER WIDTH: 1000 mm / 39 1/4 Inch		
		IL-B0170B-20240209	

FEATURES AND FUNCTIONALITY - B0170L



REFERENCE LIST - B0170B

	ZINC COATED (ZC)		STAINLESS STEEL (SS)	
	YELLOW	MULTICOLOR ■	YELLOW	MULTICOLOR ■
18 in	B0170B0-0450-0001YEZ	B0170B0-0450-0001MCZ	B0170B0-0450-0001YES	B0170B0-0450-0001MCS
30 in	B0170B0-0750-0001YEZ	B0170B0-0750-0001MCZ	B0170B0-0750-0001YES	B0170B0-0750-0001MCS
40 in	B0170B0-1000-0001YEZ	B0170B0-1000-0001MCZ	B0170B0-1000-0001YES	B0170B0-1000-0001MCS
47 in	<u>B0170B0-1200-0001YEZ</u>	B0170B0-1200-0001MCZ	B0170B0-1200-0001YES	B0170B0-1200-0001MCS

STRIPES (not included)

	Black	White	Yellow
1 STRIPE	PA0300-0170-0001BL	PA0300-0170-0001WH	PA0300-0170-0001YE
2 STRIPES	PA0300-0170-0002BL	PA0300-0170-0002WH	PA0300-0170-0002YE





* Remark: Stripes cannot be ordered separately