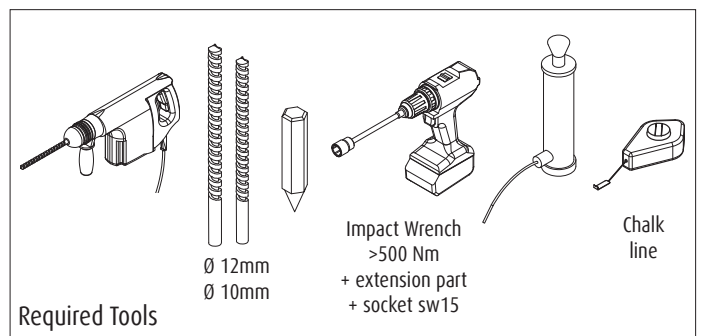
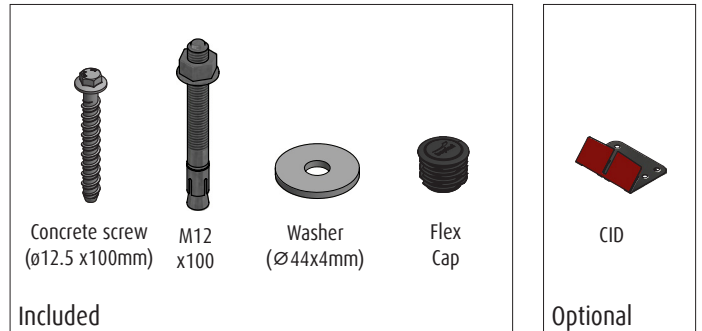


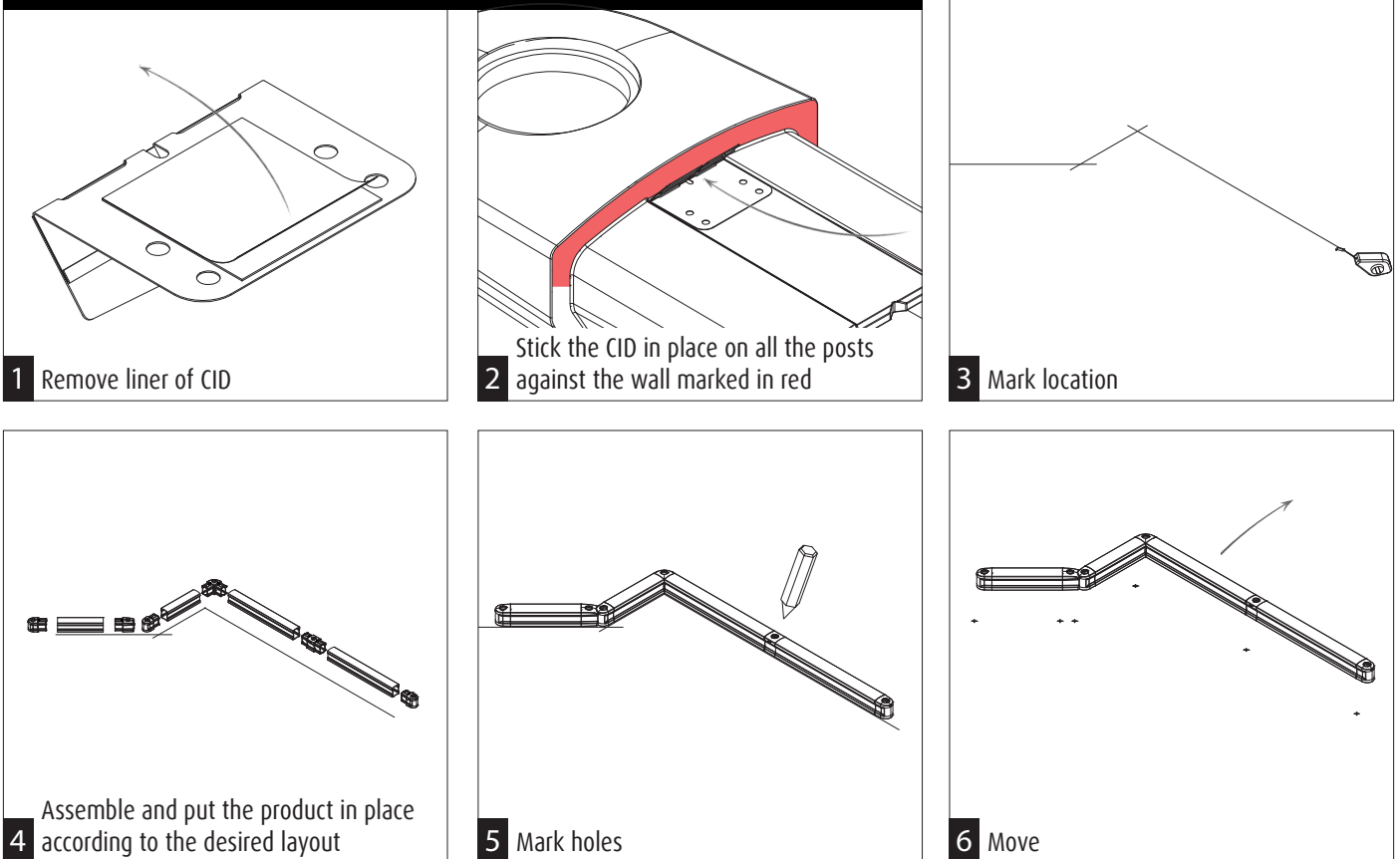
# FLIP120L M

## INSTALLATION SHEET

PL1200-....-....



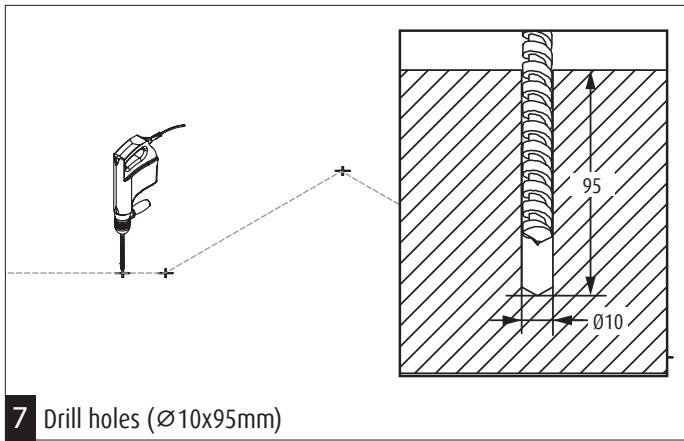
### Optional CID



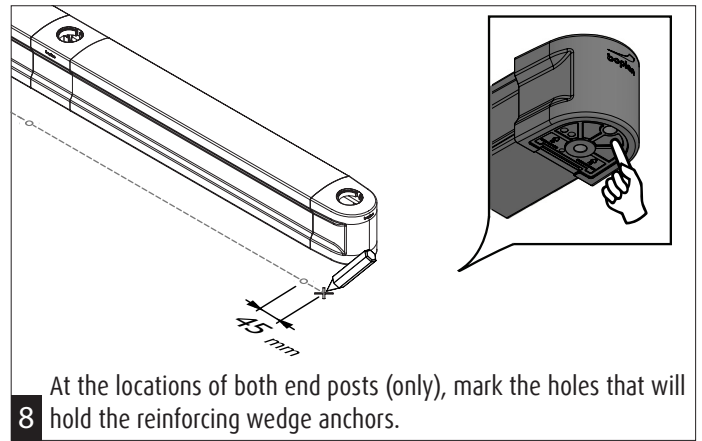
For more information, please visit [www.boplan.com](http://www.boplan.com)

Rev: 7 November 2024 1:43 pm

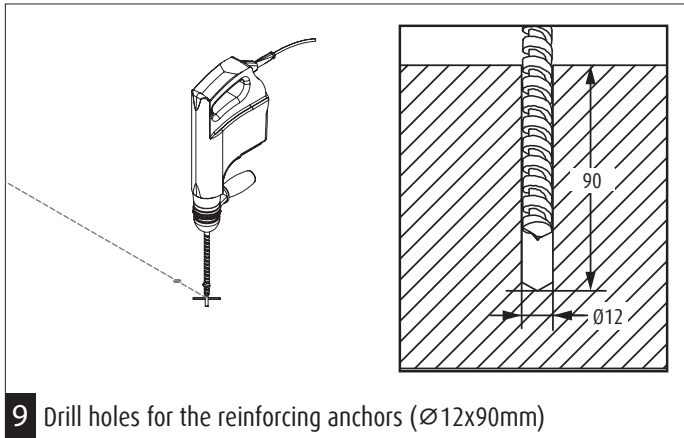




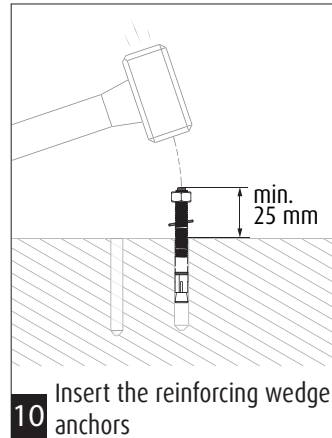
**7** Drill holes ( $\varnothing 10 \times 95 \text{ mm}$ )



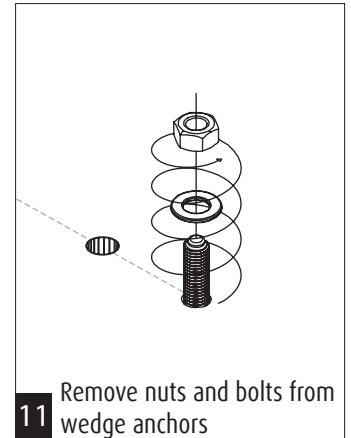
**8** At the locations of both end posts (only), mark the holes that will hold the reinforcing wedge anchors.



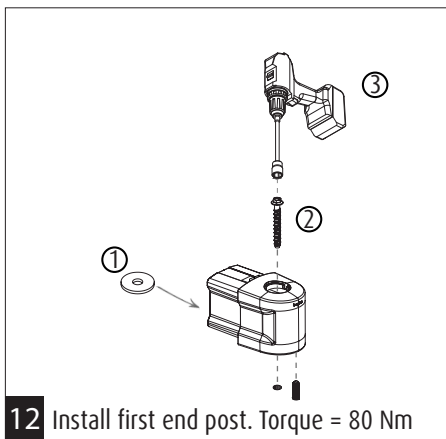
**9** Drill holes for the reinforcing anchors ( $\varnothing 12 \times 90 \text{ mm}$ )



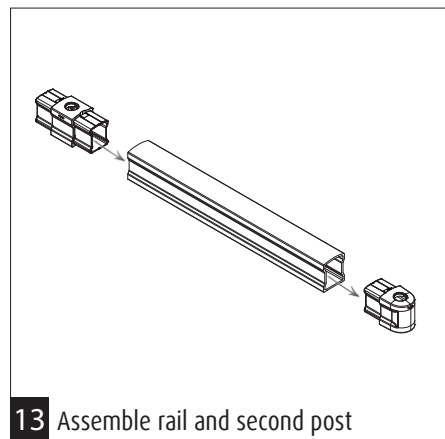
**10** Insert the reinforcing wedge anchors



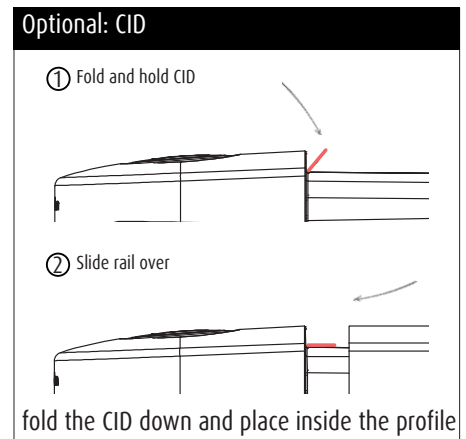
**11** Remove nuts and bolts from wedge anchors



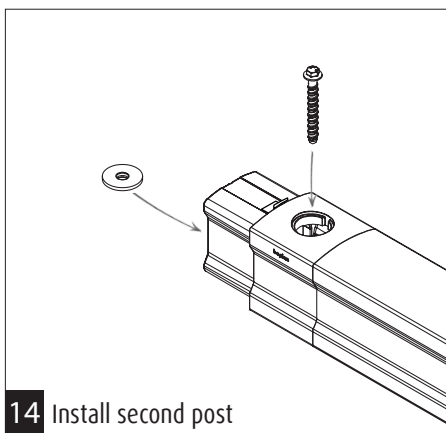
**12** Install first end post. Torque = 80 Nm



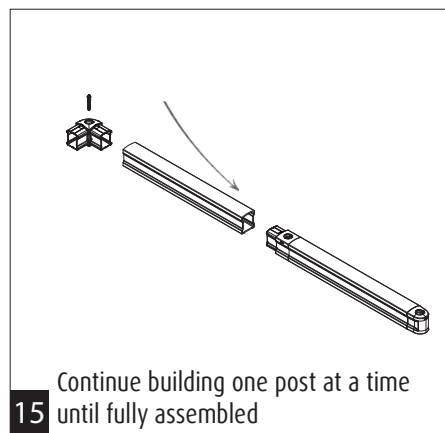
**13** Assemble rail and second post



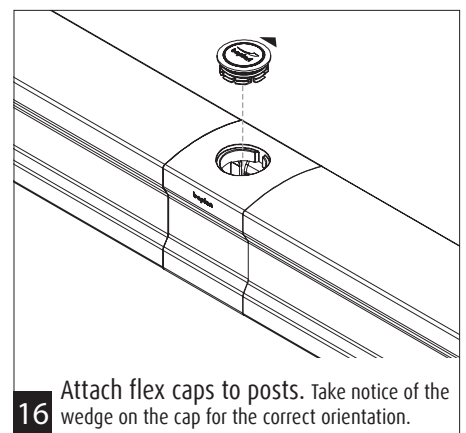
**Optional: CID**  
fold the CID down and place inside the profile



**14** Install second post



**15** Continue building one post at a time until fully assembled



**16** Attach flex caps to posts. Take notice of the wedge on the cap for the correct orientation.