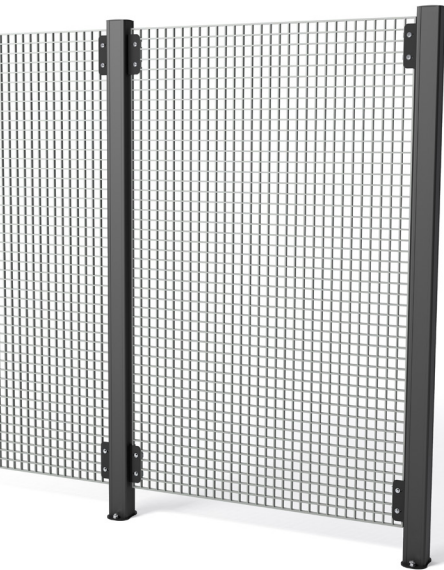


FE FENCE HANDRAILS

Revision: 30 May 2024 5:03 PM
Boplan reference: FE09..








PRODUCT SPECIFICATIONS

APPLICATION	
Environment	The FE Fence provides a cost-efficient guarding and protection for pedestrians. The glass fibre reinforced resin gives the fence flexibility to return to its original shape after an impact. As a result it requires less maintenance than metal fencing.
Compliance	The narrow mesh size allows a close safety distance of 200mm towards the danger. (According machine directive 2006/42/EC)
Advisory speed	This product is not intended for impact with fork lift trucks or other motorized vehicles.
MATERIAL	
Posts	Extrilene® - UV resistant - Fire class E ⁺ - Non conductive - Impervious to most chemicals ^{**}
Mesh	Glass fiber reinforced composite
STANDARD COLOURS	
End post	Standard: Yellow RAL 1003
Mid post	Standard: Yellow RAL 1003
Mesh	Black
BASEPLATES	
	Steel
Material	Steel 37
Coating	Lacquered
Colour	High gloss black

⁺Classification according to EN 13501-1:2007 +A1:2009 - Fire classification of construction products and building elements.

^{**}Ask your local sales office for resistance to specific chemicals.

		FIXATIONS		
			ZC (Zinc coated)	SS (Stainless steel)
STANDARD	Wedge anchor		M12 x 120mm	Not available
	Anchor rod (Chemical)		M12 x 120mm + Chemical resin	Not available
ALTERNATIVES	Concrete screw		Ø12mm x 100mm	Not available
	Asphalt anchor		Bolt M10 x 40mm + Screw Ø16mm	Not available
	Spit anchor		Bolt M12 x 100mm + Plug Ø20mm	Not available



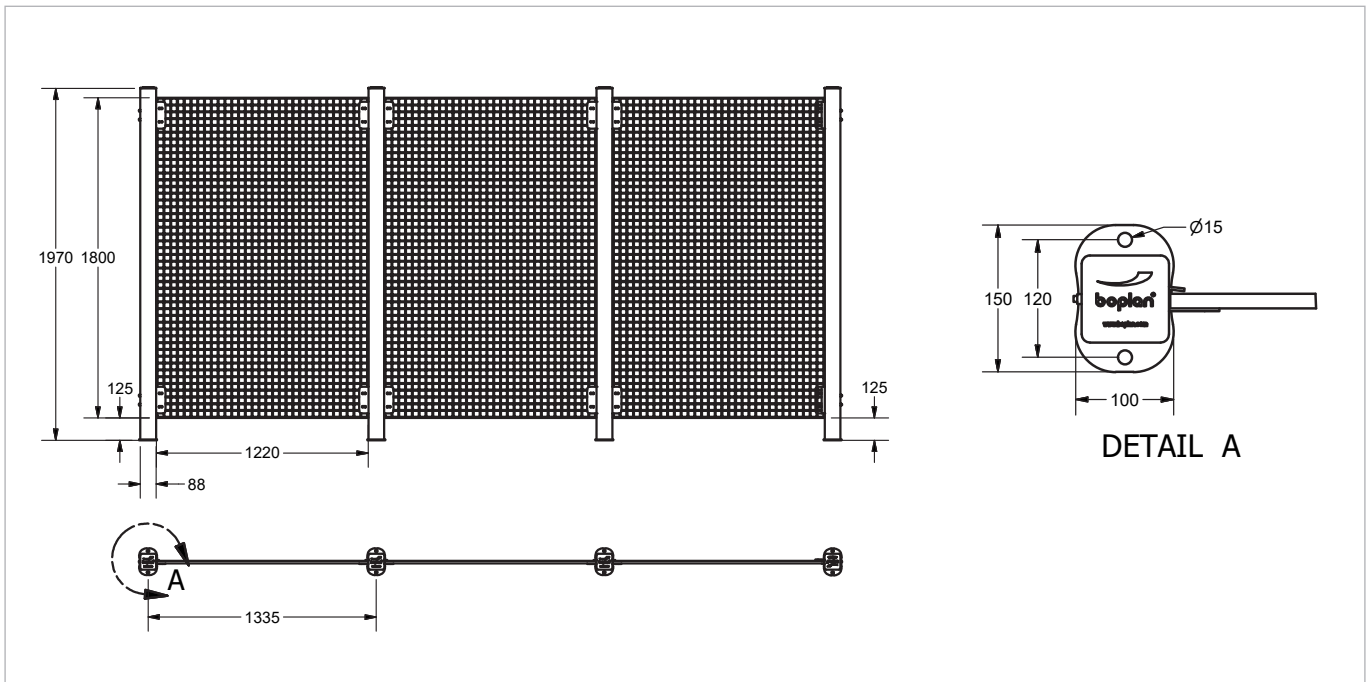
FEATURES AND FUNCTIONALITY - FE FENCE

SIZE	
Height end posts	1970 mm
Height mid post	1970 mm
Profile section posts	Profile: 88 mm x 88 mm (7.5 mm thick)
Standard mesh panel	Thickness: 13 mm Width: 1220 mm Height: 1800 mm Mesh inner dimension: 33 mm x 33 mm
Baseplate	100 mm x 150 mm (5 mm thick)

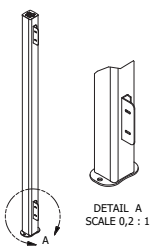
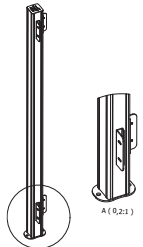
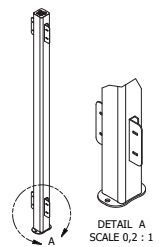
IMPACT PERFORMANCE	
Impact resistance of mesh panel.	Static point load of 450 Newton gives a maximum deflection of 15.7 mm

REQUIREMENTS	
Concrete quality	minimum C25/30
Concrete floor plate thickness (mm)	minimum 150 mm
Concrete slab dimension around posts (mm)	600 (h) x 600 (w) x 300 (d)
Operational temperature	-10°C up to +40°C
Water and humidity	Steel (standard): dry indoor use only.

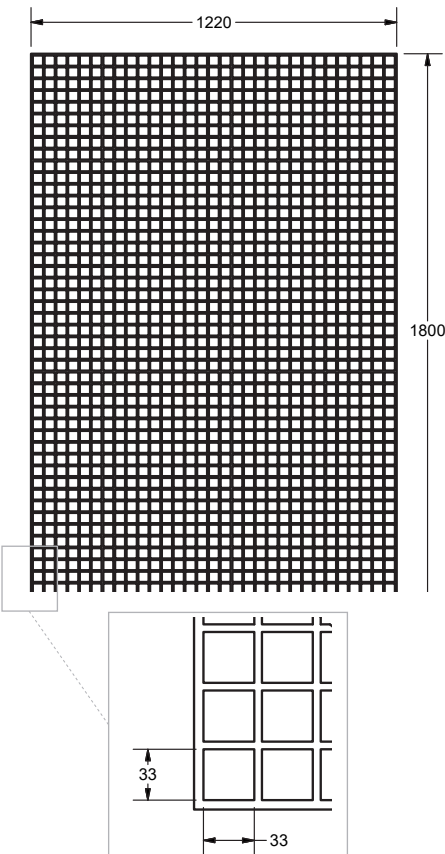
COMPLIANCE MESH	
Machine directive	The narrow mesh size allows a close safety distance of 200mm towards the danger. (According machine directive 2006/42/EC)
Static point load of mesh	Static point load of 450 N gives a maximum deflection of 15.7 mm.



REFERENCE LIST - FE FENCE
POSTS

End post - BL	End Corner post - BL - 90°	Mid post - BL
FE0900-0001-EPBL	FE0900-0001-CPBL	FE0900-0001-MPBL
		

RAIL SETS

	Fence length	CC length	Fence height	REFERENCE	
Standard Fence Panel	1220 mm	1335 mm	1800 mm	FE0903-1220-1800BL	
Variable length Fence Panel	600-1220 mm	715-1335 mm	1800 mm	FE0903-1220-181CBL	