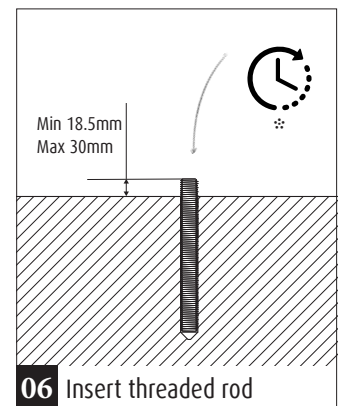
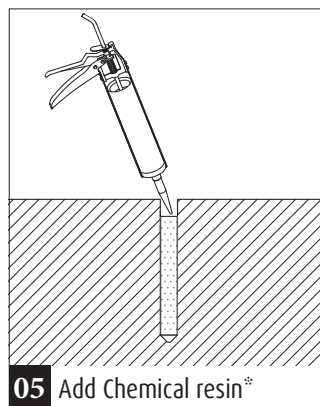
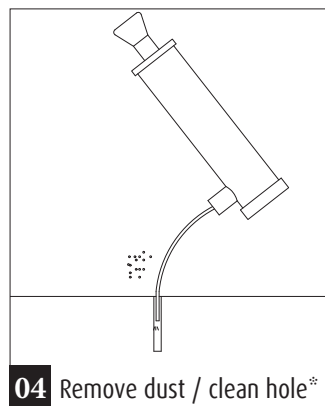
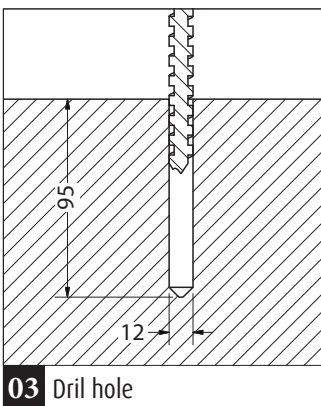
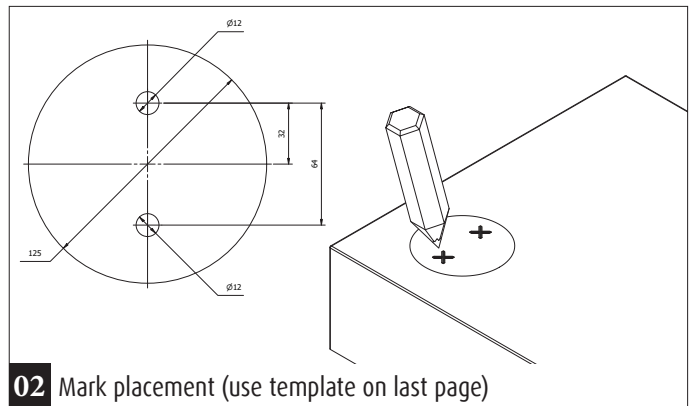
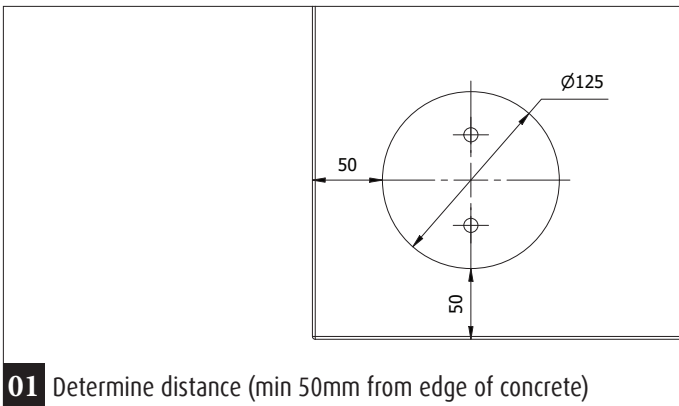
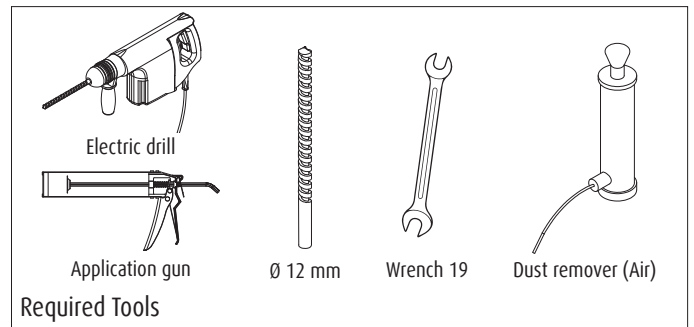
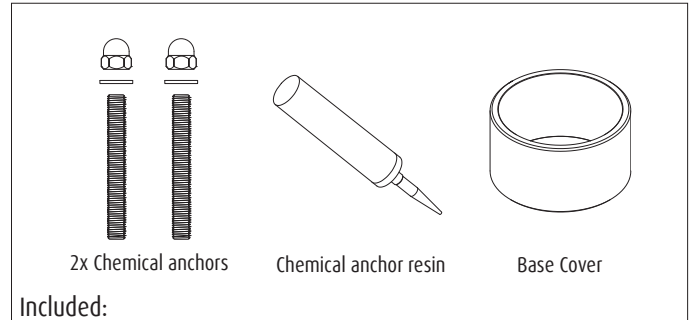
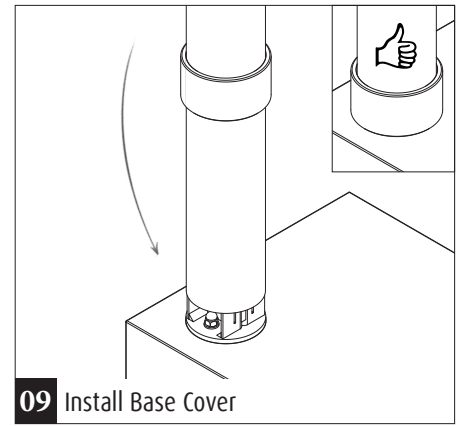
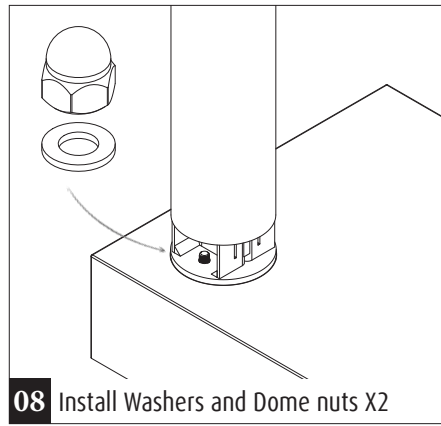
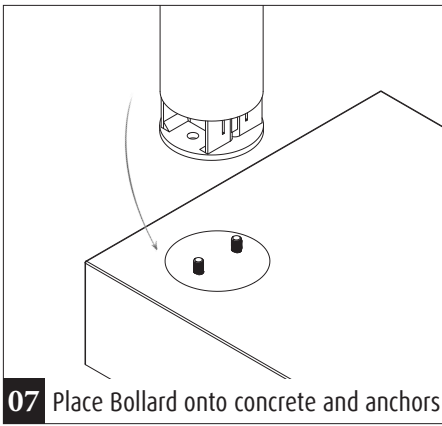


BO125L EV

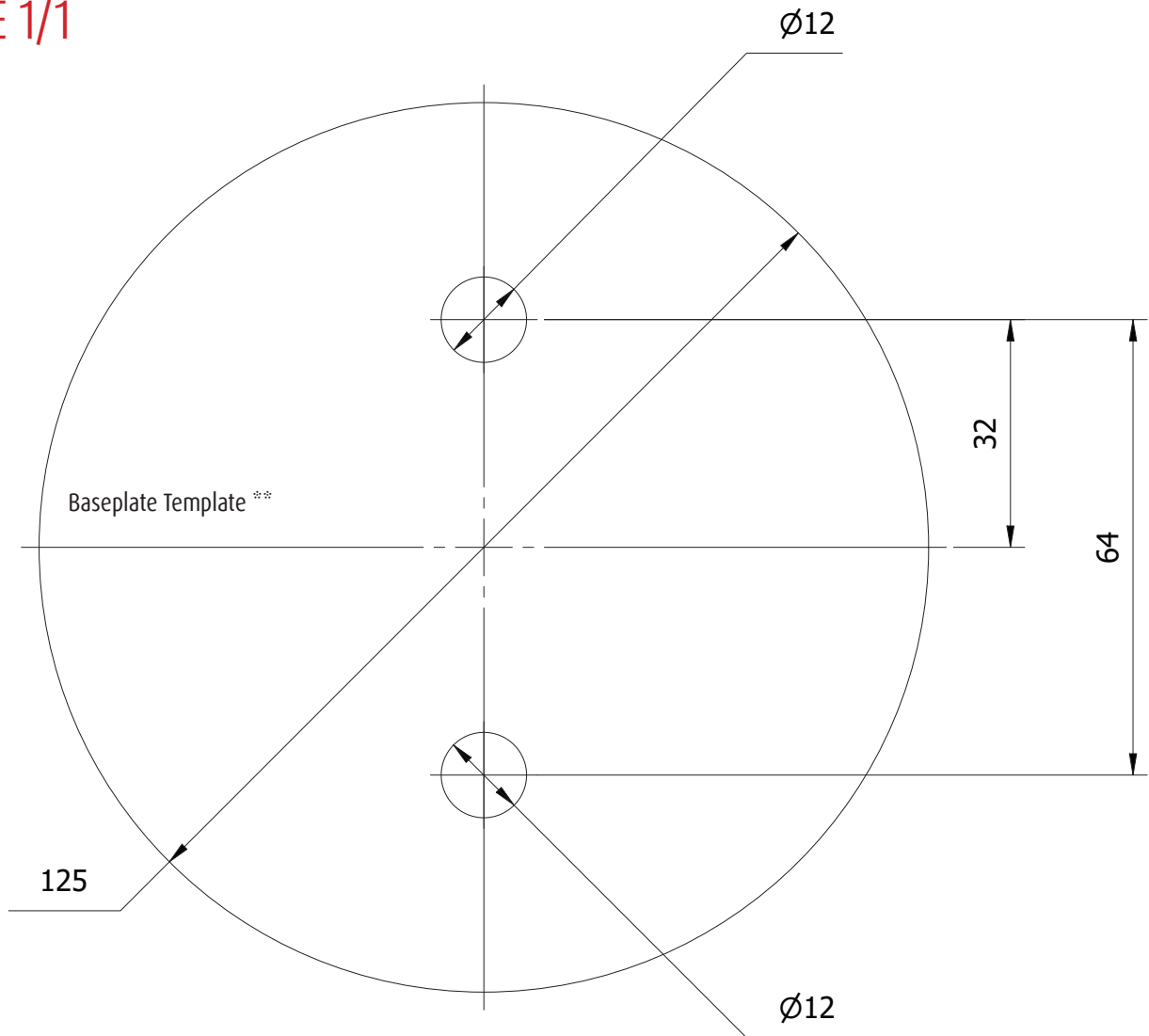
INSTALLATION SHEET

Reference: BO125L0-....-01EV..





SCALE 1/1



* Follow Instruction of resin manufacturer for the correct use of the product
 ** DO NOT scale when printing