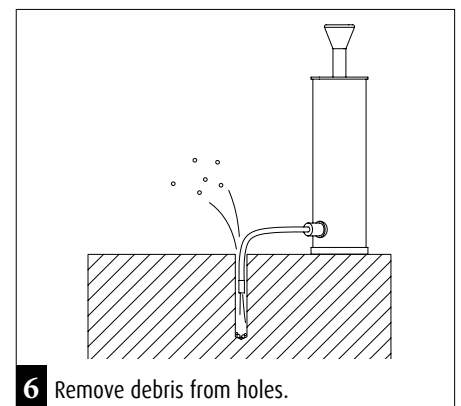
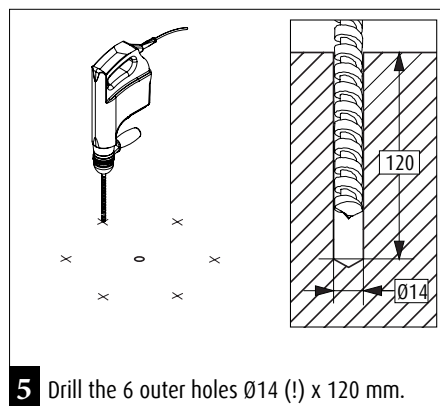
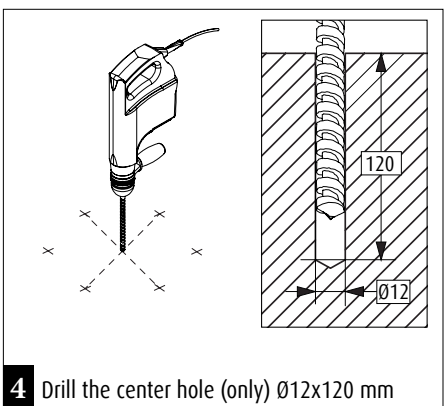
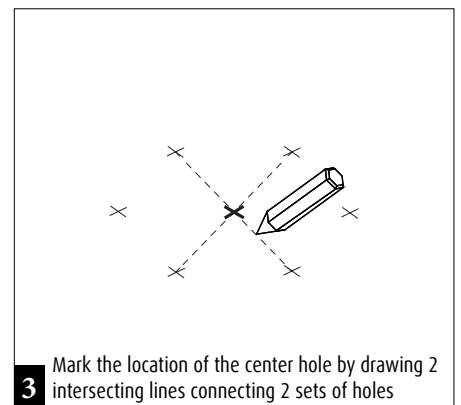
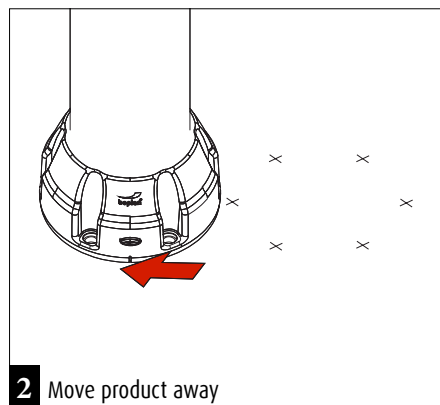
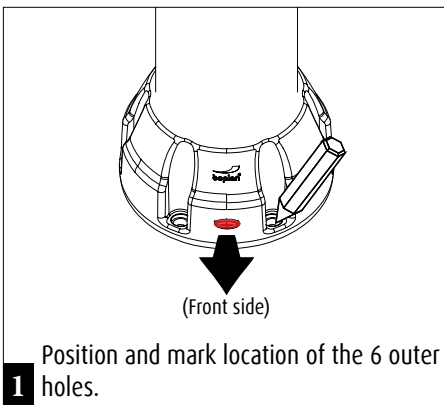
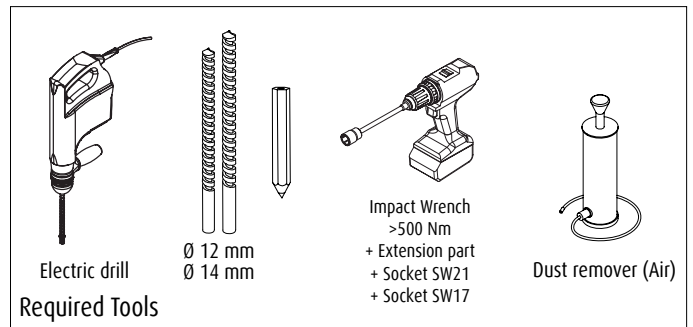
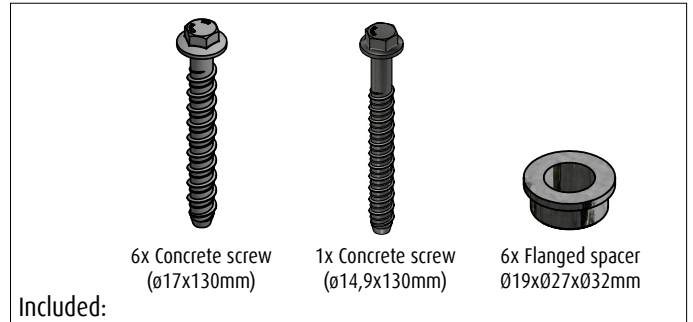
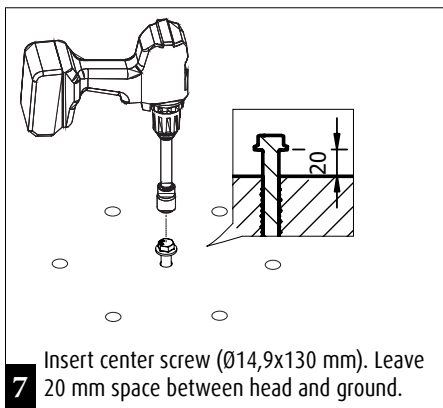


# BO250T

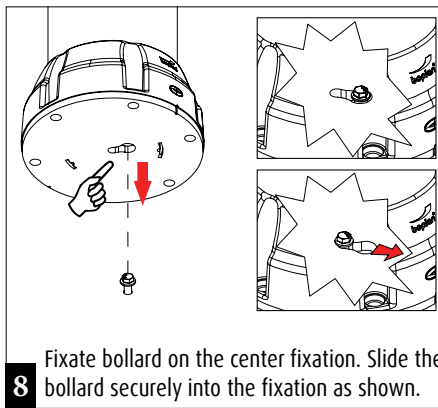
## INSTALLATION SHEET

Reference: BO250T-...

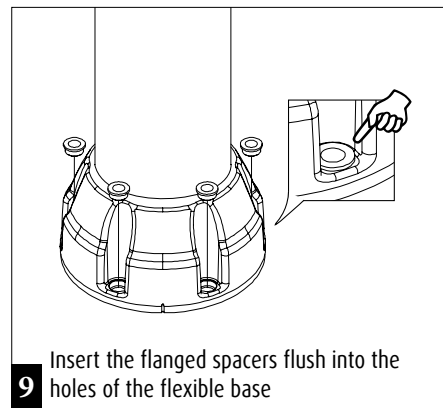




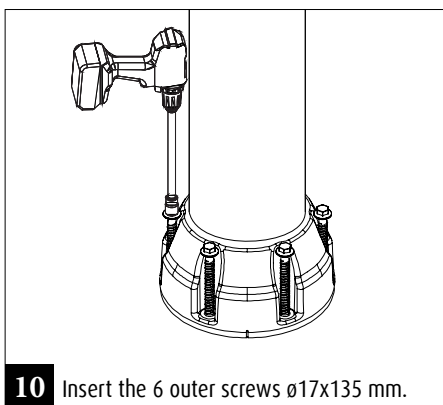
**7** Insert center screw (Ø14,9x130 mm). Leave 20 mm space between head and ground.



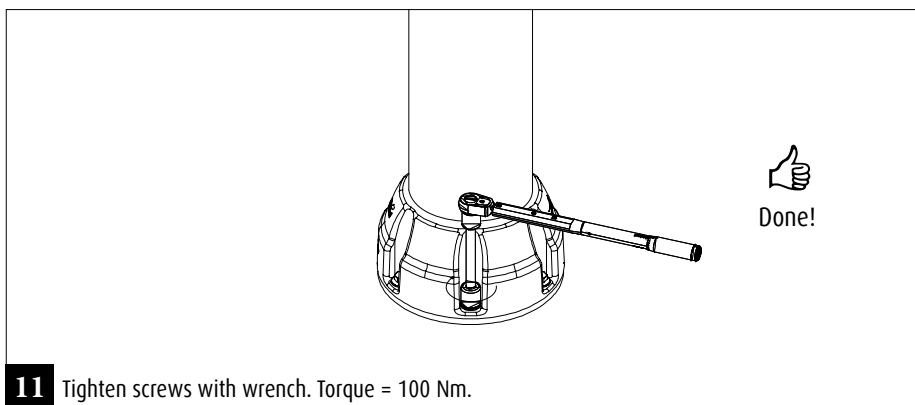
**8** Fixate bollard on the center fixation. Slide the bollard securely into the fixation as shown.



**9** Insert the flanged spacers flush into the holes of the flexible base



**10** Insert the 6 outer screws Ø17x135 mm.



**11** Tighten screws with wrench. Torque = 100 Nm.