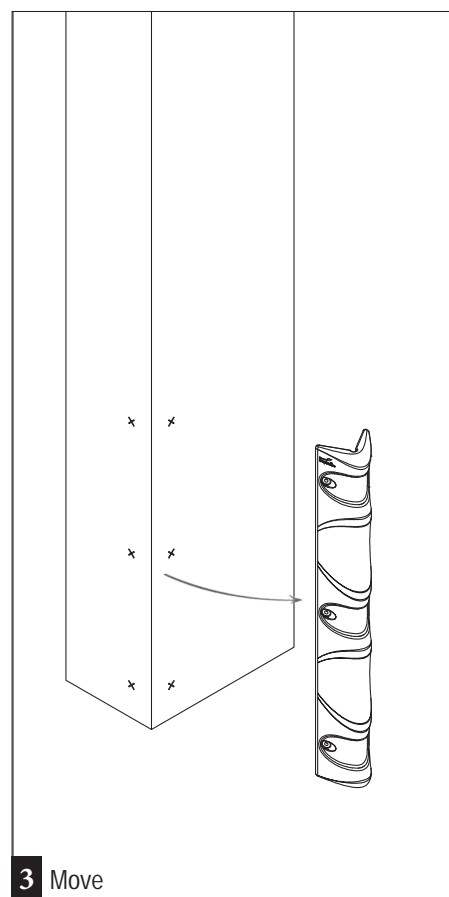
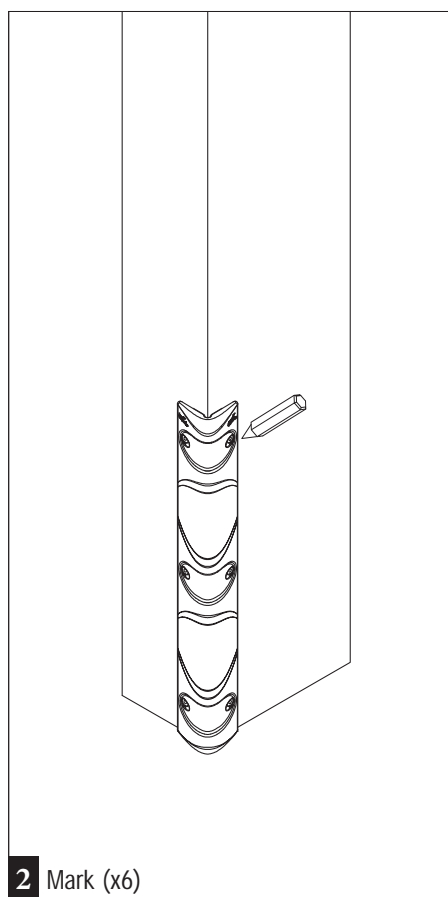
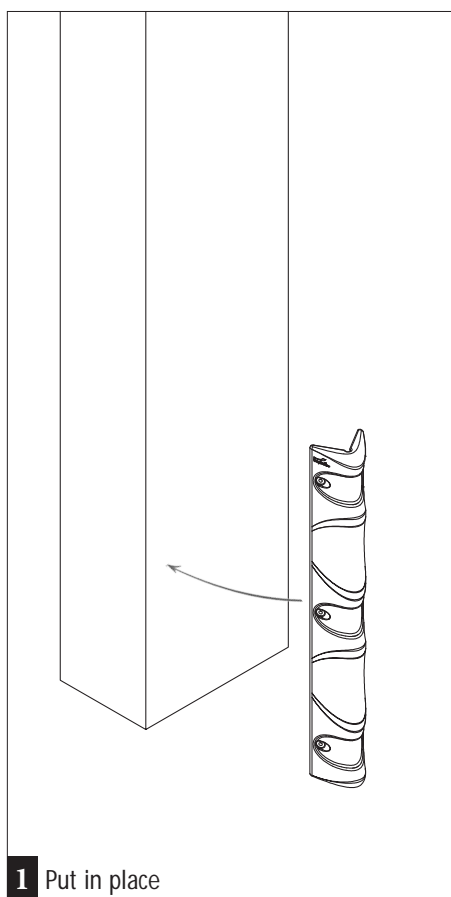
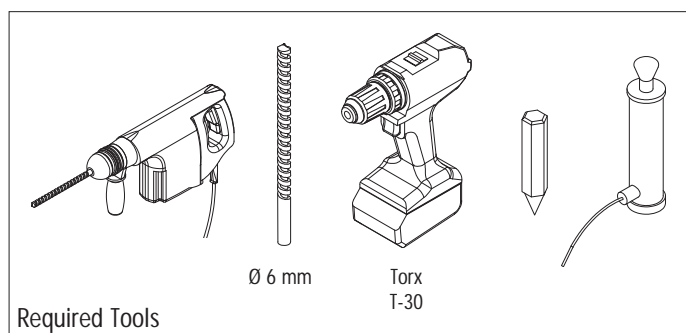
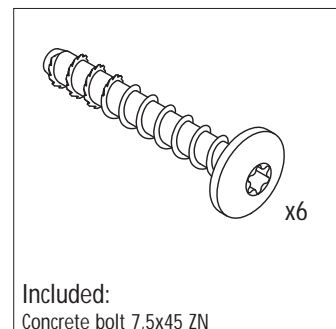


CP CORNER PROTECTOR NM

CP0100-1000-S101YE

CP0100-1000-S101BL

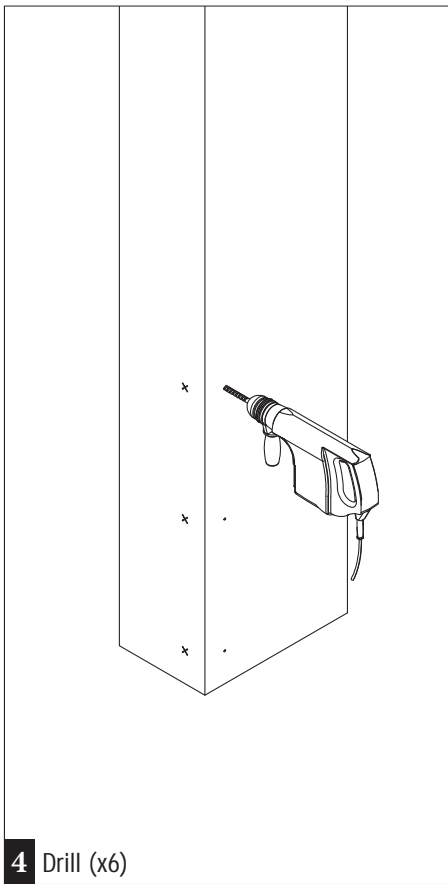
INSTALLATION SHEET



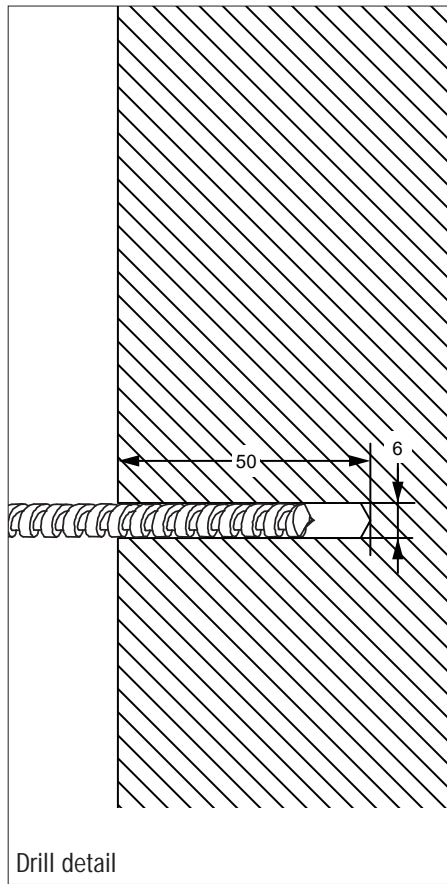
For more information, please visit www.boplan.com

Rev: 23 November 2018 2:29 pm

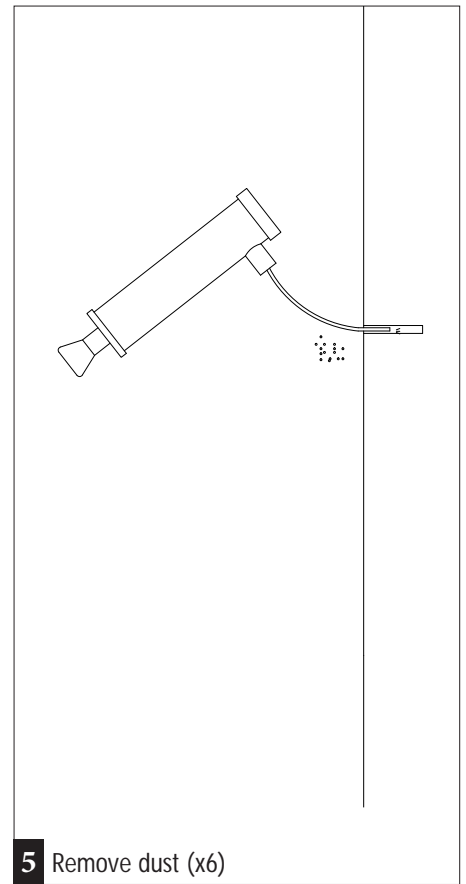




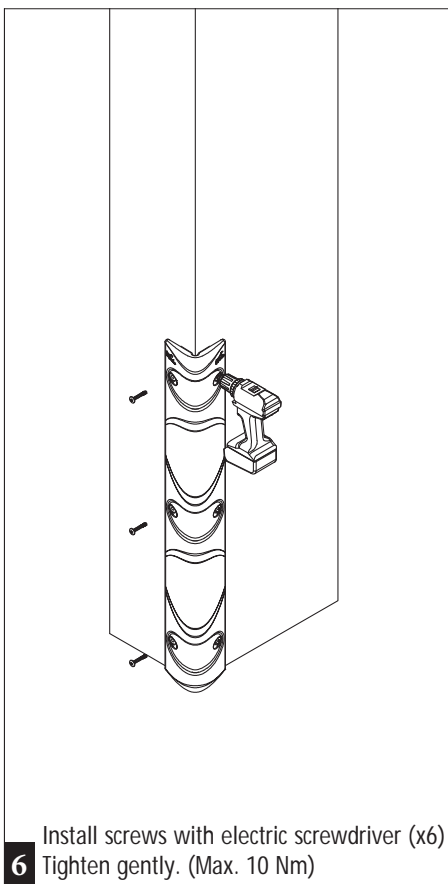
4 Drill (x6)



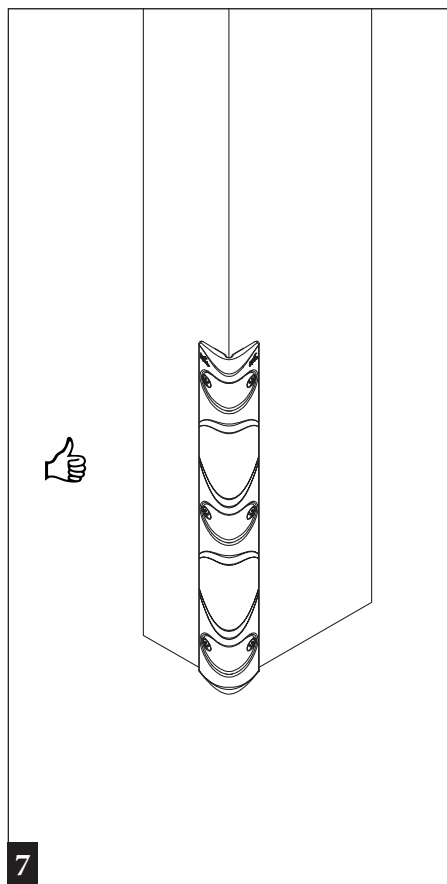
Drill detail



5 Remove dust (x6)



6 Install screws with electric screwdriver (x6)
Tighten gently. (Max. 10 Nm)



7