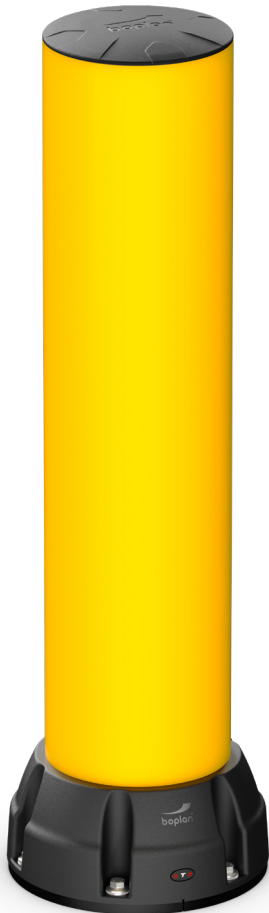


BO250T BOPLAN BOLLARDS AND HEIGHT LIMITERS


Revision: 19 March 2024 1:05 PM
Boplan reference: BO250T...



PRODUCT SPECIFICATIONS

APPLICATION	
Environment	The BO250T stands out as the strongest in Boplan's impact-resistant bollard series, providing durable protection against frequent collisions with heavy vehicles. With a 0.6 inch thick steel baseplate, a reinforced base, and a 10 inch tube diameter, it is the ideal choice for guarding gates, access ways, corners, and machinery. Its robust yet flexible design efficiently absorbs heavy impacts. Due to the large Base, pallets are kept at a certain distance from the bollard to protect hands and prevent injury. Suitable for both indoor and outdoor environments.
Impact performance	24100 Joule (Eq. to 3,8 ton - 8mph)
MATERIAL	
Tube	Extrilene® - UV resistant - Fire class E* - Non conductive - Impervious to most chemicals**
Cap	Sustainable elastomer
Base Defender	Sustainable elastomer
COLORS	
Bollard	Standard: Yellow RAL 1003 Also available in Black RAL 9005 (multicolor)
Base Defender	Standard: Black RAL 9005
OPTIONAL	
Stripe	Colored reflective stripe providing a high level of visibility.
BASEPLATES	
	Zinc Coated Steel
Material	Steel 37
Coating	Electroplated + Lacquered
Color	Mat black

*Classification according to EN 13501-1:2007 +A1:2009 - Fire classification of construction products and building elements.
**Ask your local sales office for resistance to specific chemicals.

		FIXATIONS	
		ZC (Zinc coated)	SS (Stainless steel)
STANDARD	Concrete screw	 Ø17mm x 135mm	Not available

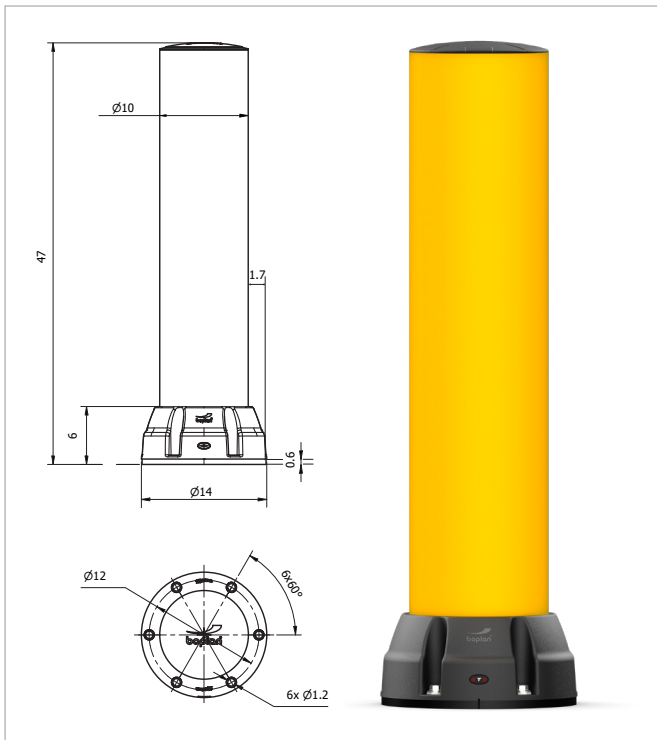


Base Defender with Impact Button

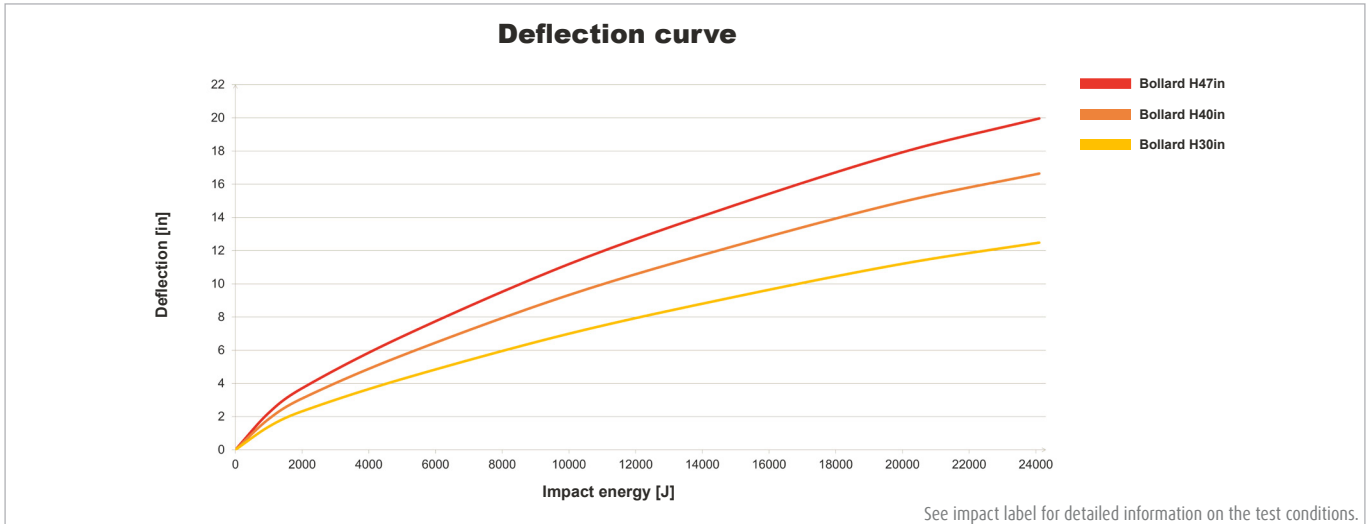
FEATURES AND FUNCTIONALITY - B0250T

SIZE	
Height	40 in
	47 in
	47-60 in
	63 - 79 in
	83 - 98 in
Profile section	Ø10 in (0.4 in thick)
Baseplate	Ø14 in (0.6 in thick)
Base Defender	Top: Ø10 in Base: Ø14 in Height: 6 in

REQUIREMENTS	
Concrete quality	minimum C25/30
Concrete floor plate thickness (in)	minimum 6 in
Concrete slab dimension around posts (in)	40 (h) x 40 (w) x 26 (d)
Operational temperature	14°F up to 104°F
Water and humidity	Zinc coated: Indoor and outdoor use in most environments.



boplan		IMPACT LABEL FOR SAFETY BARRIERS	
BOPLAN B0250T			
IMPACT RATING			
E50	< 50 kJ		
E40	< 40 kJ		
E30	< 30 kJ		
E25	< 25 kJ		
E20	< 20 kJ		
E15	< 15 kJ		
E12	< 12 kJ		
E10	< 10 kJ		
E7	< 7.5 kJ		
E5	< 5.0 kJ		
E2	< 2.5 kJ		
E1	< 1.0 kJ		
IMPACT RESULTS	 $\alpha = 25^\circ$ D = 507 mm / 20 inch	SUCCESS CRITERIA	
Deflection: At maximum impact energy		VEHICLE STOPPED ASI (ACCELERATION SEVERITY INDEX) < 0.5	
TEST CONDITIONS		BOPLAN TEST LAB	
TEMPERATURE: 20°C / 68°F		Muizelstraat 12	
IMPACT HEIGHT: 610 mm / 47.2 Inch -> D: 507 mm / 20 Inch -> α : 25°		8560 Moorsele	
TEST FLOOR: CONCRETE SLAB C25/30 - 150 mm / 6 Inch		Belgium	
TEST VEHICLE:		 PRODUCT TESTED Boplan Test Lab	
TYPE: BOPLAN IMPACT TEST VEHICLE			
WEIGHT: 3775 kg / 8322.45 lbs			
SIZE (L x W x h): 3100 x 1100 x 1150 mm / 122 x 43 1/4 x 45 1/4 Inch			
CONTACT AREA, STEEL BUMPER WIDTH: 1000 mm / 39 1/4 Inch		IL-B0200R-20240209	

FEATURES AND FUNCTIONALITY - B0250T

REFERENCE LIST - B0250T

	ZINC COATED (ZC)	
	YELLOW	MULTICOLOR ■
40 in	B0250T0-1000-0001YEZ	B0250T0-1000-0001MCZ
47 in	B0250T0-1200-0001YEZ	B0250T0-1200-0001MCZ
47 - 60 in	B0250T1-1525-0001YEZ	B0250T1-1525-0001MCZ
63 - 79 in	B0250T1-2000-0001YEZ	B0250T1-2000-0001MCZ
83 - 98 in	B0250T1-2500-0001YEZ	B0250T1-2500-0001MCZ

STRIPES (B0 not included)			
	Black	White	Yellow
1 STRIPE	PA0300-0250-0001BL	PA0300-0250-0001WH	PA0300-0250-0001YE
2 STRIPES	PA0300-0250-0002BL	PA0300-0250-0002WH	PA0300-0250-0002YE
			

* Remark: Stripes cannot be ordered separately