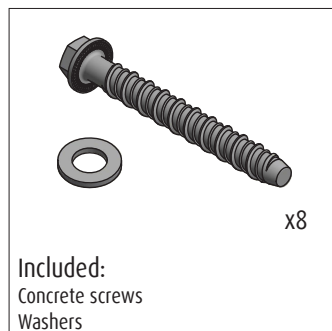
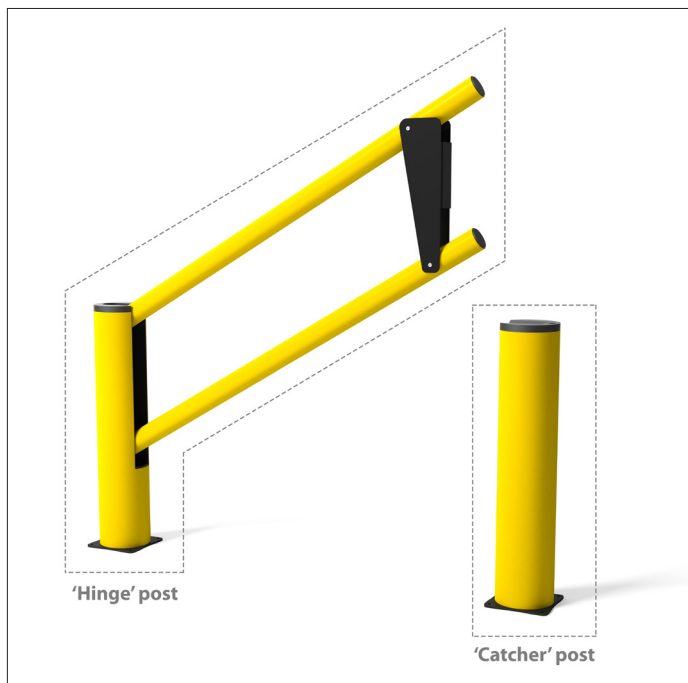


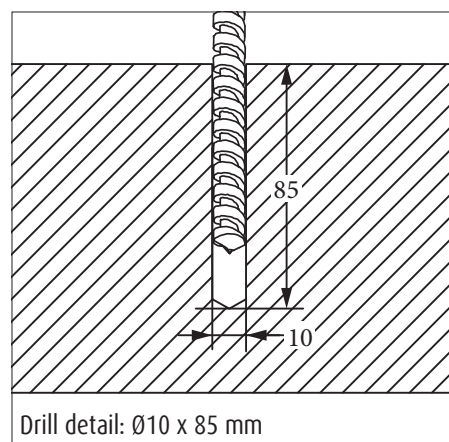
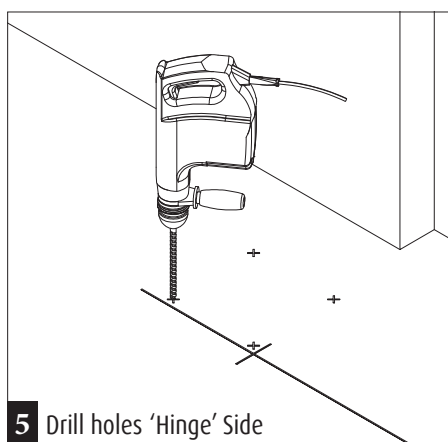
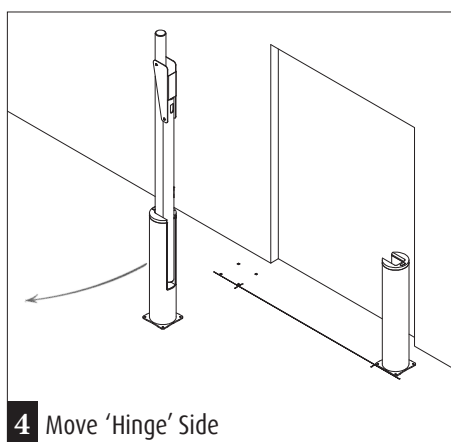
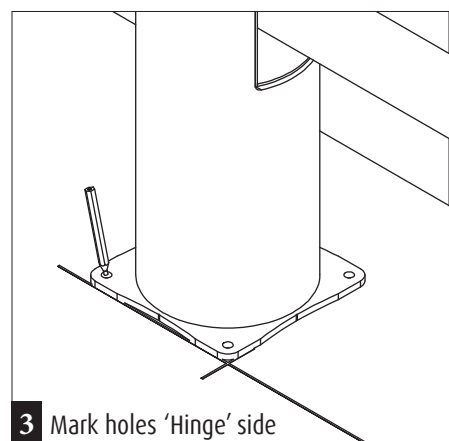
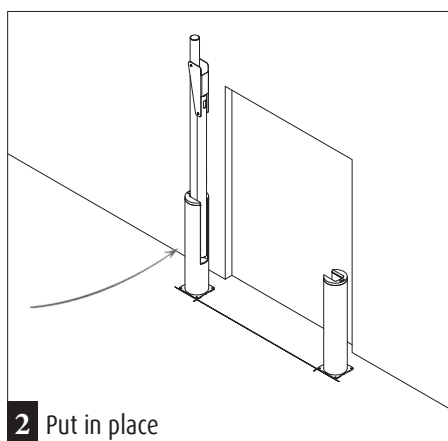
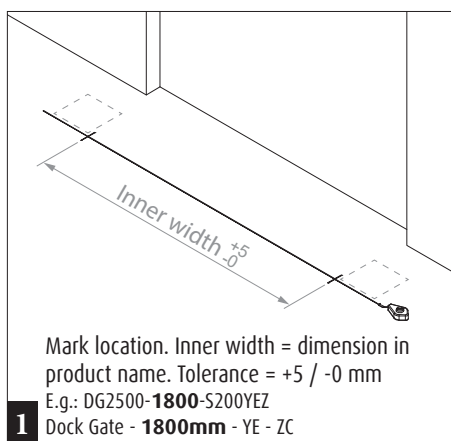
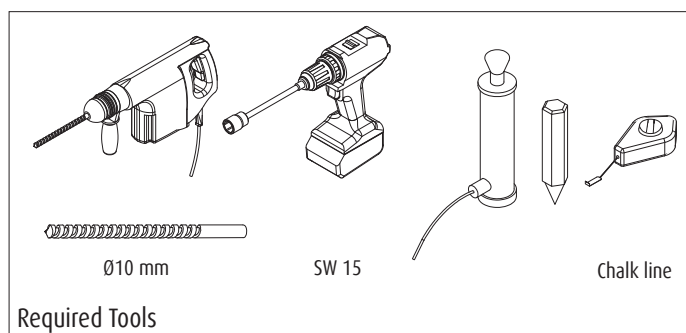
DOCK GATE FORCE

INSTALLATION SHEET

DG2500-...



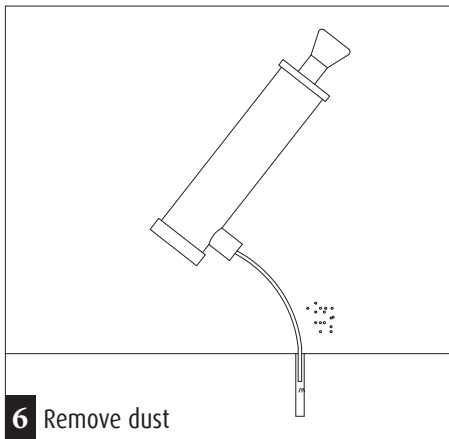
For **calibration** of the closing speed see installation manual for DG2509-0001-RWZC



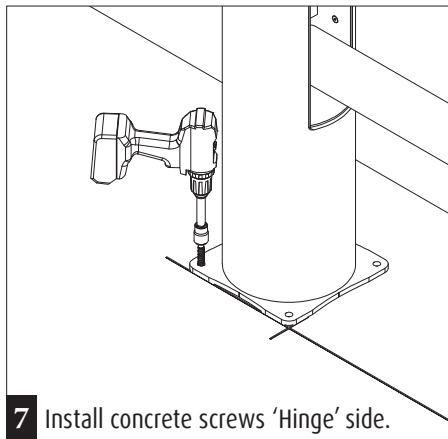
For more information, please visit www.boplan.com

Rev: 22 June 2023 2:32 pm

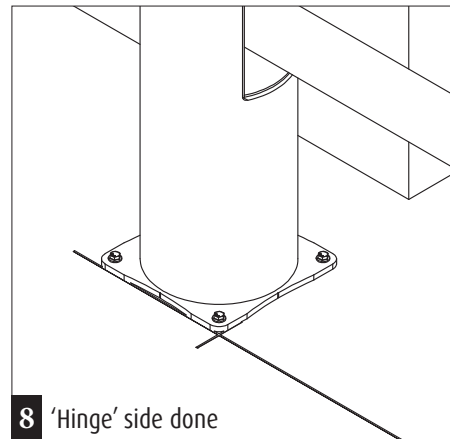




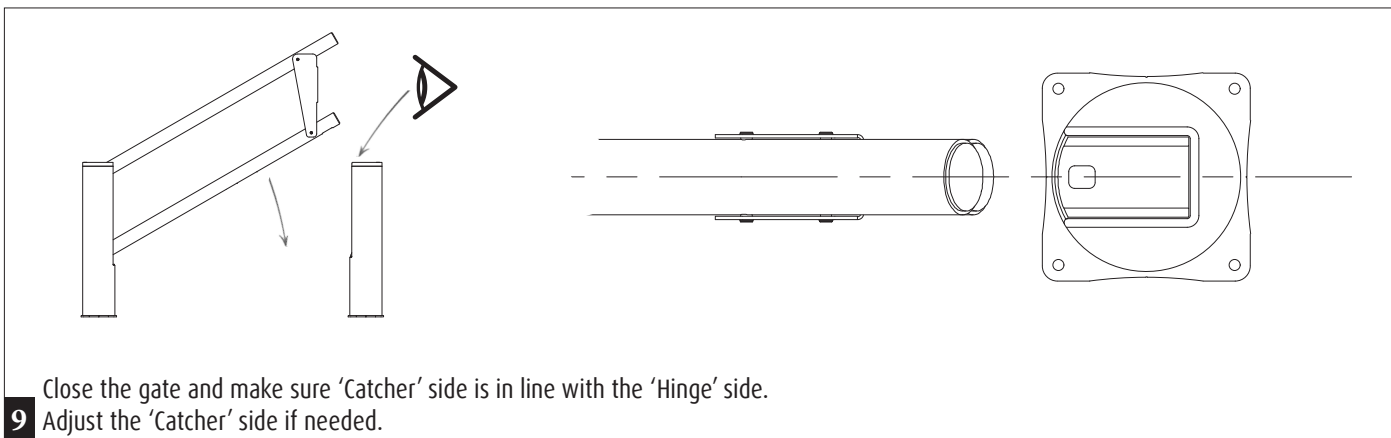
6 Remove dust



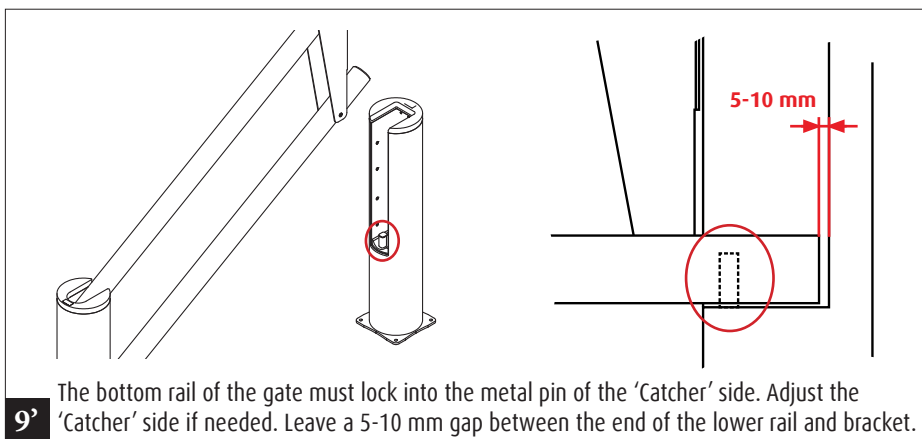
7 Install concrete screws 'Hinge' side.



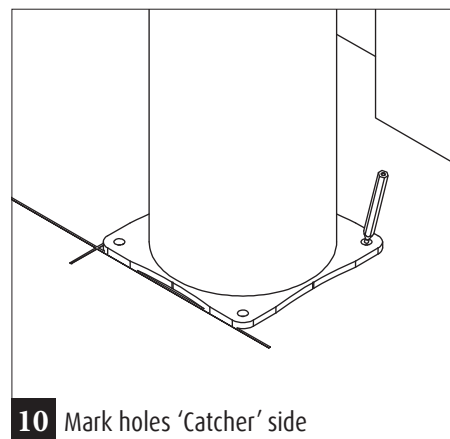
8 'Hinge' side done



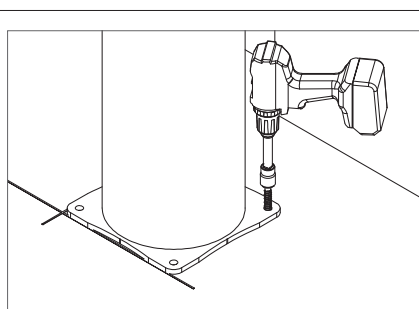
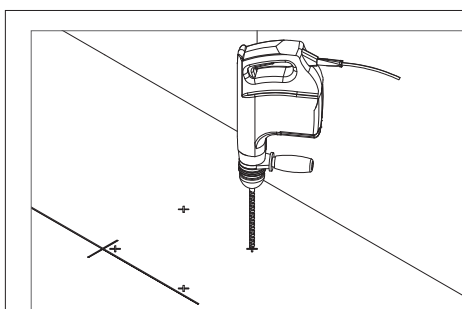
9 Close the gate and make sure 'Catcher' side is in line with the 'Hinge' side. Adjust the 'Catcher' side if needed.



9' The bottom rail of the gate must lock into the metal pin of the 'Catcher' side. Adjust the 'Catcher' side if needed. Leave a 5-10 mm gap between the end of the lower rail and bracket.



10 Mark holes 'Catcher' side



11 Open the gate. Move 'Catcher' side, drill holes, remove dust and install concrete screws. See steps 5 to 7 for more information.

