

KP SERIES

COLUMN AND CORNER PROTECTION

Revision: 30 May 2024 5:03 PM
Boplan reference: KP...



PRODUCT SPECIFICATIONS

APPLICATION	
Environment	Air columns for controlled impact absorption. Retains its original shape due to its extensive absorbing capacities. Column protectors prevent structural damage to columns, posts & pillars in warehouses, production halls, airports and parking facilities. Stackable on top of each other for higher protection.
Impact performance at 90°	KP: 2200 Joule (Eq. to 2,5 ton - 4,8 km/h)
MATERIAL	
Column protector	Polyethylene - UV resistant - Fire class E* - Non conductive - Impervious to most chemicals**
Straps	Velcro® ties
STANDARD COLOURS	
Column protector	H1100: Yellow RAL 1003 H500: Yellow RAL1003 & Red RAL 3002
Straps	Black
FIXATIONS	
Velcro straps	Black straps to hold both halves together
Bolt fixation (optional)	KP fixation set (2) ZC - H500 - 200/300 KP fixation set (4) ZC - H1100 - 100/150/200/300/400 KP fixation set (6) ZC - H1100 - 500/600
REQUIREMENTS	
Environment	Indoor and outdoor use
Working Temperatures	-10°C up to +40°C

*Classification according to EN 13501-1:2007 +A1:2009 - Fire classification of construction products and building elements.
**Ask your local sales office for resistance to specific chemicals.

IMPACT LABEL FOR SAFETY BARRIERS

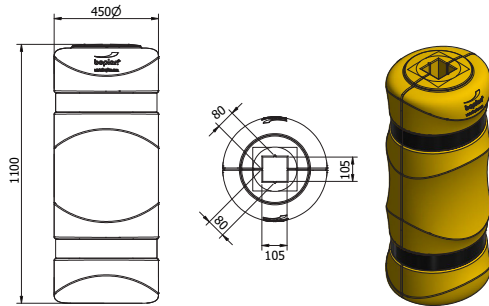
BOPLAN COLUMN PROTECTORS	90°																										
<table border="1" style="width: 100%; border-collapse: collapse;"> <thead> <tr> <th style="width: 15%;">IMPACT RATING</th> <th style="width: 85%;">Energy (kJ)</th> </tr> </thead> <tbody> <tr><td>E80</td><td>< 80 kJ</td></tr> <tr><td>E60</td><td>< 60 kJ</td></tr> <tr><td>E50</td><td>< 50 kJ</td></tr> <tr><td>E40</td><td>< 40 kJ</td></tr> <tr><td>E35</td><td>< 35 kJ</td></tr> <tr><td>E30</td><td>< 30 kJ</td></tr> <tr><td>E25</td><td>< 25 kJ</td></tr> <tr><td>E20</td><td>< 20 kJ</td></tr> <tr><td>E15</td><td>< 15 kJ</td></tr> <tr><td>E10</td><td>< 10 kJ</td></tr> <tr><td>E5</td><td>< 5,0 kJ</td></tr> <tr><td>E2</td><td>< 2,5 kJ</td></tr> </tbody> </table>	IMPACT RATING	Energy (kJ)	E80	< 80 kJ	E60	< 60 kJ	E50	< 50 kJ	E40	< 40 kJ	E35	< 35 kJ	E30	< 30 kJ	E25	< 25 kJ	E20	< 20 kJ	E15	< 15 kJ	E10	< 10 kJ	E5	< 5,0 kJ	E2	< 2,5 kJ	<div style="background-color: yellow; width: 50px; height: 15px; margin: 0 auto; display: flex; align-items: center; justify-content: center;"> 2,2 kJ </div>
IMPACT RATING	Energy (kJ)																										
E80	< 80 kJ																										
E60	< 60 kJ																										
E50	< 50 kJ																										
E40	< 40 kJ																										
E35	< 35 kJ																										
E30	< 30 kJ																										
E25	< 25 kJ																										
E20	< 20 kJ																										
E15	< 15 kJ																										
E10	< 10 kJ																										
E5	< 5,0 kJ																										
E2	< 2,5 kJ																										
TEST CONDITIONS TEMPERATURE: 20°C IMPACT HEIGHT: 1000 mm IMPACT ANGLE: 90° TEST FLOOR: CONCRETE C25/30 - 160 mm MANUFACTURER ANCHOR PULL OUT: na	TEST VEHICLE WEIGHT: 2300 KG TYPE: COMMERCIAL FORK LIFT SIZE (L x W x h): 1890 x 1020 x 1970 mm CONTACT AREA: STEEL BUMPER WIDTH: 600 mm																										
BOPLAN TEST LAB Muizelstraat 12 8560 Moorsele Belgium <div style="float: right; border: 1px solid black; padding: 2px; font-size: x-small;"> PRODUCT TESTED Impact Test Lab </div>																											
SUCCESS CRITERIA VEHICLE STOPPED - ASI (ACCELERATION SEVERITY INDEX) < 0.5																											



REFERENCE LIST - KP SERIES
KP100 - H1100 mm

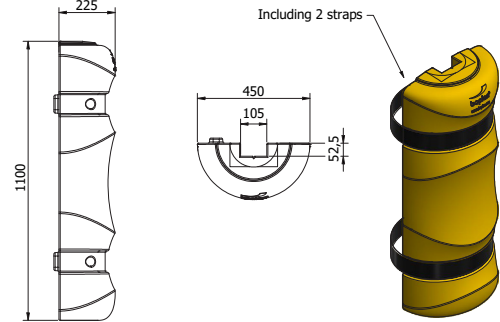
KP1000-1100-S200YE

2 halves (2 straps 1800mm included)



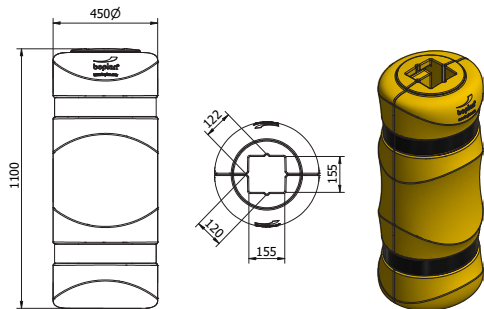
KP1000-1100-S100YE

1 halve (2 straps 1800mm included)


KP150 - H1100 mm

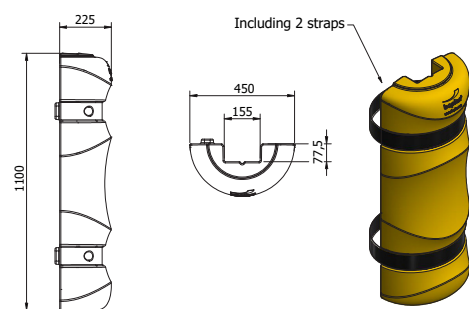
KP1500-1100-S200YE

2 halves (2 straps 1800mm included)



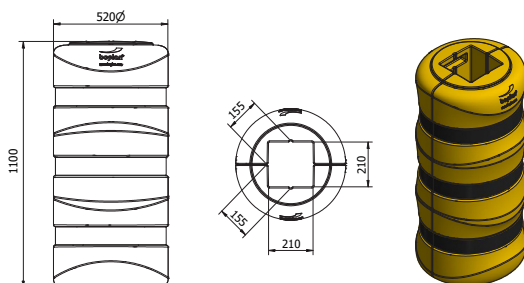
KP1500-1100-S100YE

1 halve (2 straps 1800mm included)


KP200 - H1100 mm

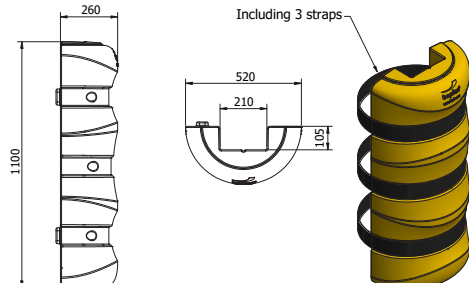
KP2000-1100-S200YE

2 halves (3 straps 2400mm included)



KP2000-1100-S100YE

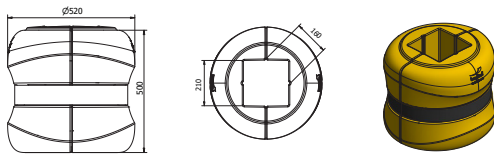
1 halve (3 straps 2400mm included)



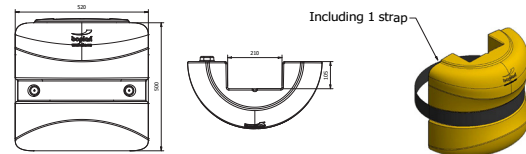
REFERENCE LIST - KP SERIES
KP200 - H500 mm

 KP2000-0500-S200YE
 KP2000-0500-S200RE ■

2 halves (1 strap 2400mm included)

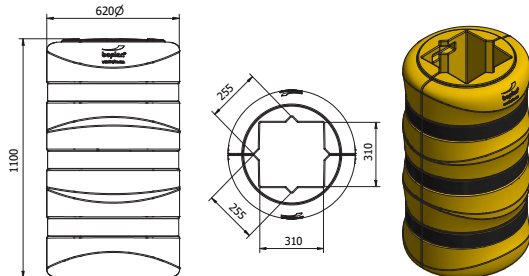

 KP2000-0500-S100YE
 KP2000-0500-S100RE ■

1 halve (1 strap 2400mm included)


KP300 - H1100 mm

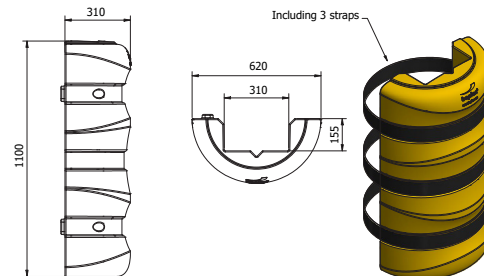
KP3000-1100-S200YE

2 halves (3 straps 2400mm included)



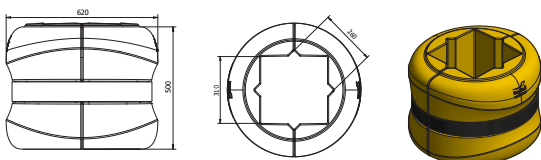
KP3000-1100-S100YE

1 halve (3 straps 2400mm included)

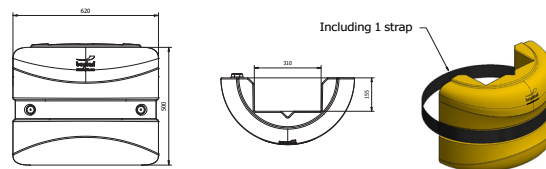

KP300 - H500 mm

 KP3000-0500-S200YE
 KP3000-0500-S200RE ■

2 halves (1 strap 3400mm included)


 KP3000-0500-S100YE
 KP3000-0500-S100RE ■

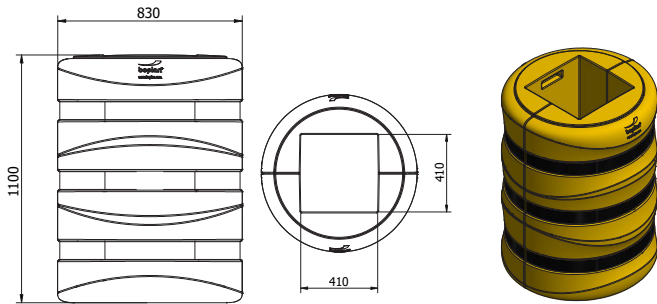
1 halve (1 strap 3400mm included)



REFERENCE LIST - KP SERIES
KP400 - H1100 mm

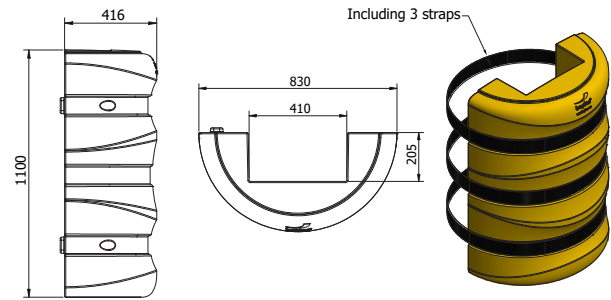
KP4000-1100-S200YE

2 halves (3 straps 3400mm included)



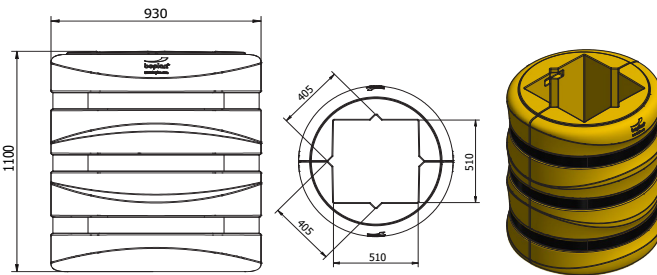
KP4000-1100-S100YE

1 halve (3 straps 3400mm included)


KP500 - H1100 mm

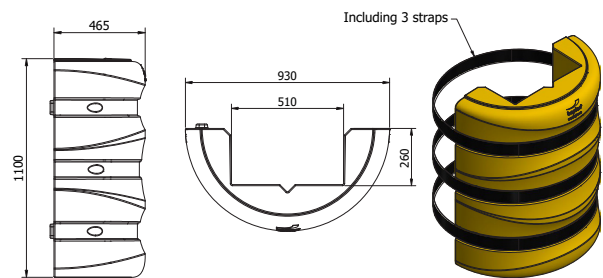
KP5000-1100-S200YE

2 halves (3 straps 3400mm included)



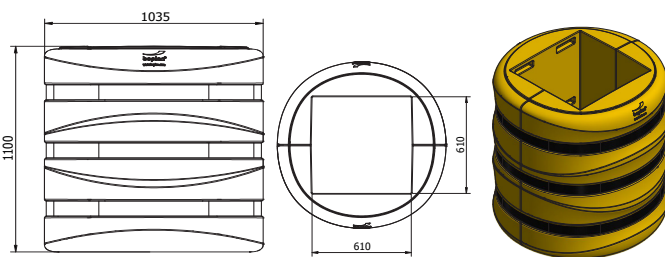
KP5000-1100-S100YE

1 halve (3 straps 3400mm included)


KP600 - H1100 mm

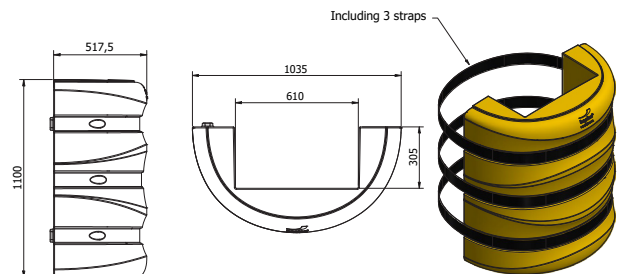
KP6000-1100-S200YE

2 halves (3 straps 4000mm included)

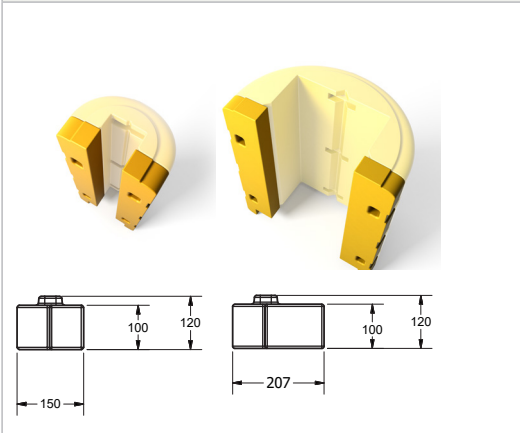
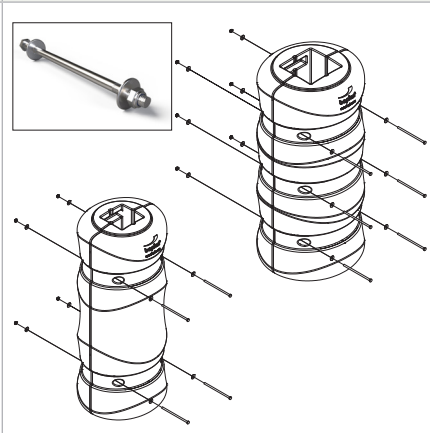
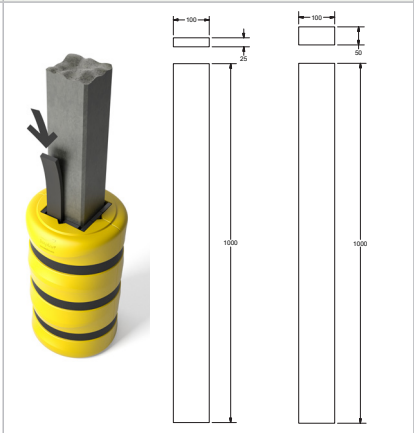


KP6000-1100-S100YE

1 halve (3 straps 4000mm included)



REFERENCE LIST - KP SERIES
ACCESSORIES

KP0099-1100-300YE KP0099-1100-600YE	KP0099-8180-S200ZC KP0099-8180-S400ZC KP0099-8180-S600ZC	KP0099-1000-1025BL KP0099-1000-1050BL
Extension for KP100/150/200/300 - H1100 mm - 100 mm - YE - 1 PIECE Extension for KP400/500/600 - H1100 mm - 100 mm - YE - 1 PIECE	Fixation set (2) for KP H500 - 200/300 Fixation set (4) for KP H1100 - 100/150/200/300/400 Fixation set (6) for KP H1100 - 500/600	KP Fill up foam - 25mm thick KP Fill up foam - 50mm thick
		

COLUMN STRAP SETS

KP0099-1800-S200BL	Column strap set (2) - 100/150 - L1800mm - BL	
KP0099-2400-S100BL	Column strap set (1) - 200/300 - L2400mm - BL	
KP0099-2400-S300BL	Column strap set (3) - 200/300 - L2400mm - BL	
KP0099-3400-S300BL	Column strap set (3) - 400/500 - L3400mm - BL	
KP0099-4000-S300BL	Column strap set (3) - 600 - L4000mm - BL	

