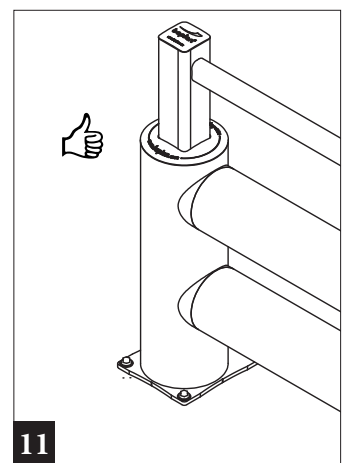
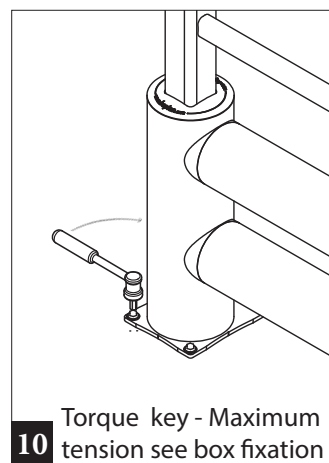
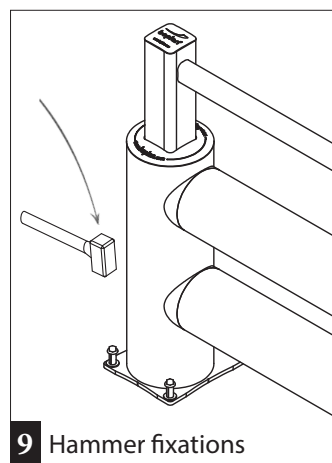
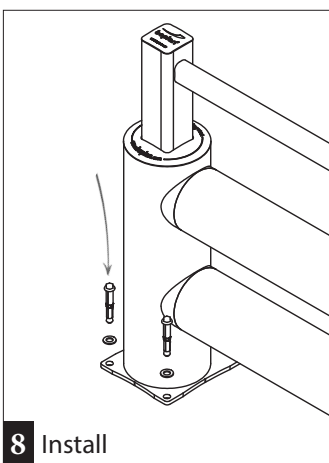
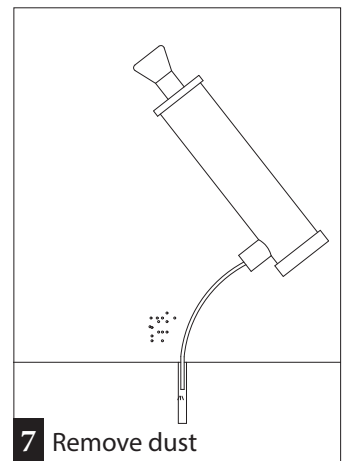
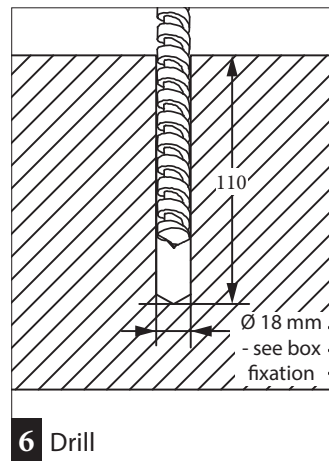
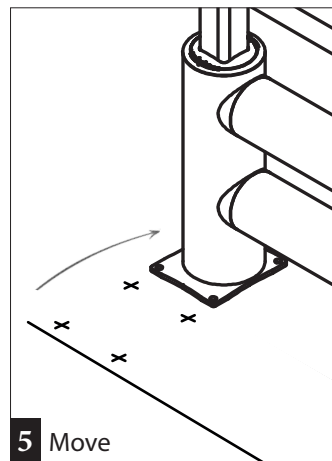
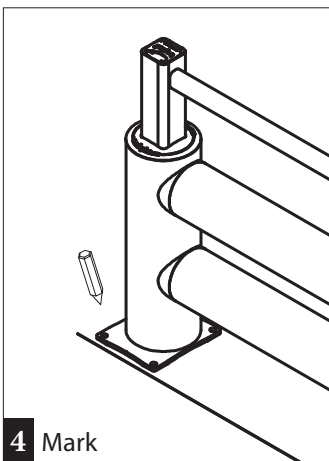
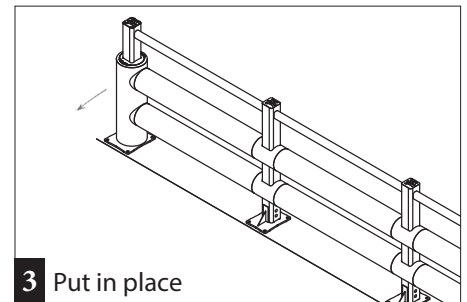
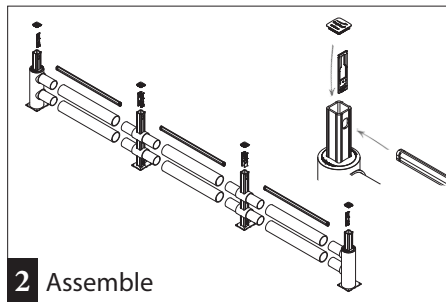
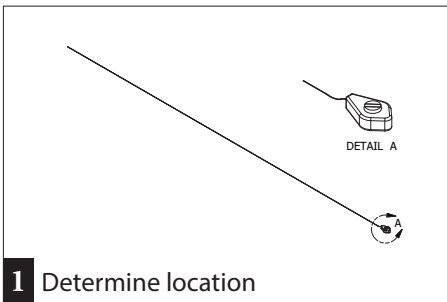
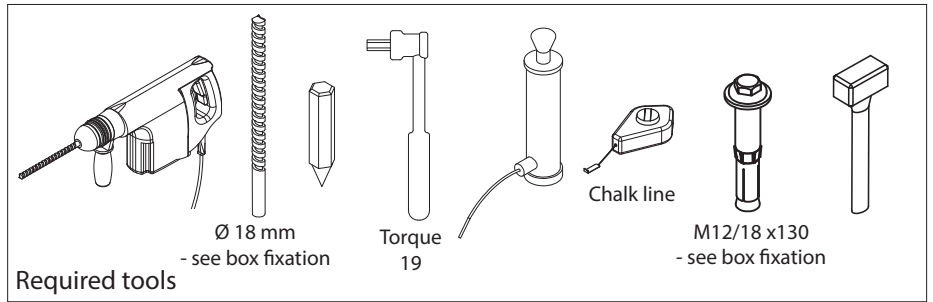


TB DOUBLE PLUS

INSTALLATION SHEET

DP4000-....-....



For more information, please visit www.boplan.com

Rev: 3 January 2023 3:36 pm

