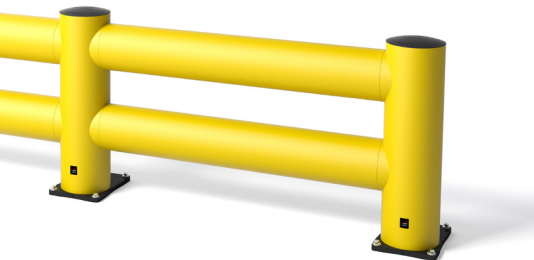




# TB SUPER DOUBLE BOPLAN SAFETY BARRIER SPECIFICATION SHEET

Revision: 10 July 2023 11:50 AM  
Boplan reference: DS4000 - ...



## PRODUCT SPECIFICATIONS

### APPLICATION

Protection	The TB Super Double is a robust protective barrier designed to protect walls, machines, and infrastructure from significant impacts, even at high speeds. It effectively separates areas with heavy vehicle traffic from pedestrian zones, ensuring enhanced safety.
Impact performance at 90°	POST: 41900 Joule (Eq. to 10 ton - 6.4 mph)
	RAIL: 50100 Joule (Eq. to 10 ton - 7 mph)

### MATERIAL

Posts and rails	Novilene® - UV resistant - Fire class E* - Non conductive - Impervious to most chemicals**
Caps	SEBS rubber

### COLORS

End post	Yellow
Mid post	Yellow
Impact tubes	Yellow


### BASEPLATES

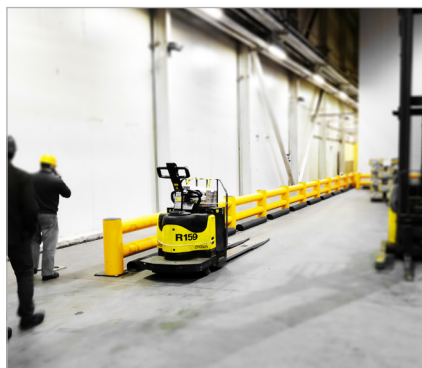
	Steel	Zinc Coated Steel	Stainless steel
Material	Steel 37	Steel 37	Stainless steel 304
Coating	Lacquered	Lacquered + electroplating	No lacquer / No coating
Color	High gloss black	Matt black	Natural color

\*Classification according to EN 13501-1:2007 +A1:2009 - Fire classification of construction products and building elements.

\*\*Ask your local sales office for resistance to specific chemicals.

### FIXATIONS

		ZC (Zinc coated)	SS (Stainless steel)
STANDARD	Expansion anchor		
		Length = 5 1/2 in Size = 3/4 in Drill hole diameter = 3/4 in Max load (pull out) = 31.9 kN	Length = 5 1/2 in Size = 3/4 in Drill hole diameter = 3/4 in Max load (pull out) = 31.3 kN



## FEATURES AND FUNCTIONALITY - TB SUPER DOUBLE

SIZE	
Height end posts	31 in
Height mid post	31 in
Profile section tubes	Ø8 (2/5 in thick)
Profile section end posts	Outer tube: Ø10 in (2/5 in thick) Inner profile: 4 2/5 x 4 2/5 in (1/3 in thick)
Profile section mid posts	Outer tube: Ø10 in (2/5 in thick) Inner profile: 4 2/5 x 4 2/5 in (1/3 in thick)
Standard rail length	CC60 in (Tube length: 50 in)
Baseplate	End Post: 14 3/4 x 10 4/5 (3/4 in thick) Mid Post: 14 3/4 x 10 4/5 (3/4 in thick)

REQUIREMENTS	
Concrete quality	minimum 400 PSI (C25/30)
Concrete floor plate thickness	minimum 6 in
Concrete slab dimension around posts (in)	31 1/2 (H) x 31 1/2 (W) x 23 2/3 (D)
Operational temperature	14 °F up to 104 °F
Water and humidity	<b>Steel (standard):</b> dry indoor use only. <b>Zinc coated:</b> outdoor use in most environments. <b>Stainless Steel:</b> outdoor use or frequent exposure to water and humidity.

### IMPACT LABEL FOR SAFETY BARRIERS

**BOPLAN TB400 SUPER DOUBLE**

IMPACT RATING	45°	90° <small>PAS 13:2017 compliant</small>
E80 < 80 kJ	<b>70,8 kJ</b>	<b>50,1 kJ</b>
E60 < 60 kJ		
E50 < 50 kJ		
E40 < 40 kJ		
E35 < 35 kJ		
E30 < 30 kJ		
E25 < 25 kJ		
E20 < 20 kJ		
E15 < 15 kJ		
E10 < 10 kJ		
E5 < 5,0 kJ		
E2 < 2,5 kJ		

**TEST CONDITIONS**

TEMPERATURE: 20°C / 68°F

IMPACT HEIGHT: 650 mm / 25 2/3 Inch

IMPACT ANGLE: 90°

TEST FLOOR: CONCRETE SLAB C25/30 - 160 mm / 6 inch

MANUFACTURER ANCHOR PULL OUT: 17kN

**TEST VEHICLE**

WEIGHT: 2300 KG / 5070.63 lbs

TYPE: COMMERCIAL FORK LIFT

SIZE (L x W x h): 1890x1020x1970 mm / 74x40x78 Inch

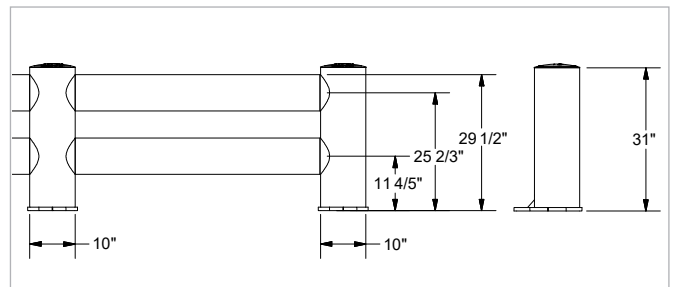
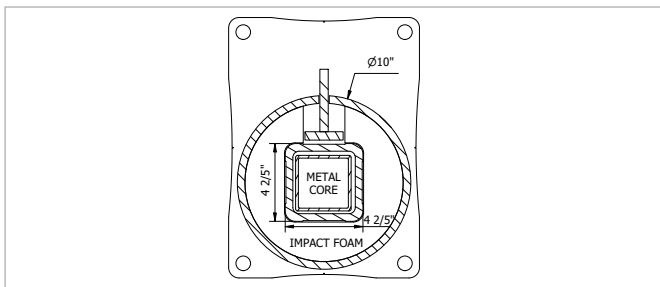
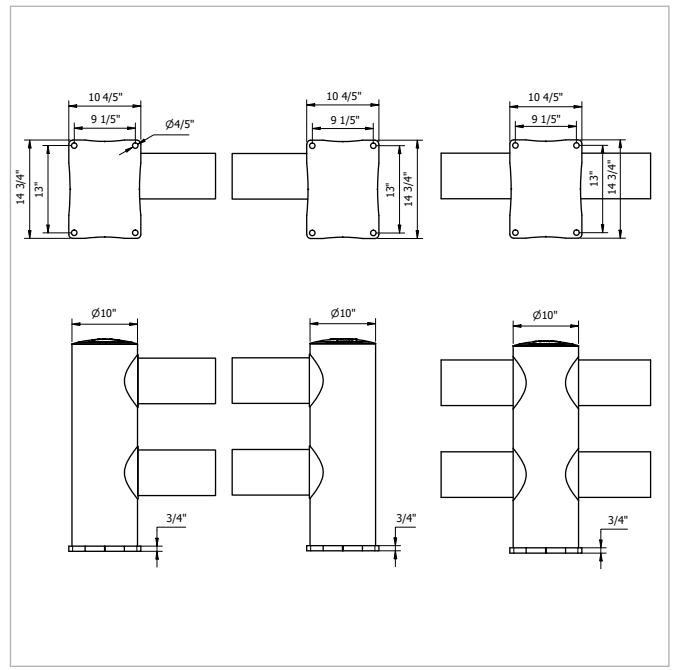
CONTACT AREA: STEEL BUMPER WIDTH: 600 mm / 24 Inch

**ACCREDITED TEST LABORATORY**

620 Route des Fromentaux  
01500 Saint-Maurice-de-Rémens  
01360 Bèligneux  
France

**SUCCESS CRITERIA** VEHICLE STOPPED - ASI (ACCELERATION SEVERITY INDEX) < 0.5

**IL-DS400-20230710**



## SPECSHEET

BOPLAN USA INC | Atlanta, GA | +1 678 890 5906 | sales@boplan.com | www.boplan.com

DISCLAIMER: ALL PRODUCT SPECIFICATIONS AND DATA ARE SUBJECT TO CHANGE WITHOUT NOTICE TO IMPROVE RELIABILITY, FUNCTION OR DESIGN OR OTHERWISE.  
© Boplan, the Boplan logo, Flex Impact and RackBull are trademarks of Boplan bv. All other trademarks are property of their respective owners.

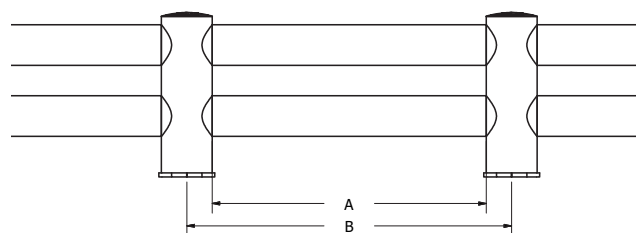


## REFERENCE LIST - TB SUPER DOUBLE

POSTS		
End post Left End post Left - ZC End post Left - SS	DS4000-0001-EPLYE DS4000-0001-EPLYEZ DS4000-0001-EPLYES	
End post Right End post Right - ZC End post Right - SS	DS4000-0001-EPRYE DS4000-0001-EPRYEZ DS4000-0001-EPRYES	
Mid post Mid post - ZC Mid post - SS	DS4000-0001-MPYE DS4000-0001-MPYEZ DS4000-0001-MPYES	

CURVES		
Conn.tube Ø8 Curve 14 in - YE	DS4000-0350-C200YE	
Conn.tube Ø8 - 45° Curve 14 in - YE	DS4000-0350-C204YE	
Conn.tube Ø8 - 90° Curve 14 in - YE	DS4000-0350-C209YE	
Conn.tube Ø8 Curve 14 in - YE	DS4000-0350-C250YE	
Conn.tube Ø8 - 90° Curve 14 in - YE	DS4000-0350-C259YE	

RAIL SETS			
	Tube length (A)	CC length (B)	Reference
Standard rail	26 in	36 in	DS4000-0665-0915YE
Standard rail	38 in	48 in	DS4000-0970-1220YE
Standard rail	50 in	60 in	DS4000-1275-1525YE
Standard rail	62 in	72 in*	DS4000-1579-1829YE
Standard rail	68 in	78 in*	DS4000-1731-1980YE
Short rail	26 - 58 in	36 - 48 in	DS4009-0048-SRYE
Long rail	58 - 70 in	48 - 60 in	DS4009-0060-LRYE
Long rail	50 - 62 in	60 - 72 in*	DS4009-0072-LRYE
Long rail	62 - 68 in	72 - 78 in*	DS4009-0078-LRYE



\* The impact performance has not been tested for tube lengths > 63 in. Only use these lengths for non-critical applications.

**SPECSHEET**

**BOPLAN USA INC** | Atlanta, GA | +1 678 890 5906 | sales@boplan.com | www.boplan.com

DISCLAIMER: ALL PRODUCT SPECIFICATIONS AND DATA ARE SUBJECT TO CHANGE WITHOUT NOTICE TO IMPROVE RELIABILITY, FUNCTION OR DESIGN OR OTHERWISE.  
© Boplan, the Boplan logo, Flex Impact and RackBull are trademarks of Boplan bv. All other trademarks are property of their respective owners.



## REFERENCE LIST - TB SUPER DOUBLE

### FIXED UNITS

TYPE	LENGTH	BASE	YELLOW		
no curves	30 in	Steel ZC SS	DS4000-0750-FUYE DS4000-0750-FUYEZ DS4000-0750-FUYES		
	30 - 68 in	Steel ZC SS	DS4001-1750-FUYE DS4001-1750-FUYEZ DS4001-1750-FUYES		
1 curve	Post LEFT	30 in	Steel ZC SS DS4000-0750-FU1CLYE DS4000-0750-FU1CLYEZ DS4000-0750-FU1CLYES		
		30-68 in	Steel ZC SS DS4001-1750-FU1CLYE DS4001-1750-FU1CLYEZ DS4001-1750-FU1CLYES		
	Post RIGHT	30 in	Steel ZC SS DS4000-0750-FU1CRYE DS4000-0750-FU1CRYEZ DS4000-0750-FU1CRYES		
		30-68 in	Steel ZC SS DS4001-1750-FU1CRYE DS4001-1750-FU1CRYEZ DS4001-1750-FU1CRYES		
2 curves	32 in	Steel ZC SS DS4000-0800-FU2CYE DS4000-0800-FU2CYEZ DS4000-0800-FU2CYES + DEFINE CURVES			
	32-68 in	Steel ZC SS DS4001-1750-FU2CYE DS4001-1750-FU2CYEZ DS4001-1750-FU2CYES + DEFINE CURVES			

### SPECSHEET

BOPLAN USA INC | Atlanta, GA | +1 678 890 5906 | sales@boplan.com | www.boplan.com

DISCLAIMER: ALL PRODUCT SPECIFICATIONS AND DATA ARE SUBJECT TO CHANGE WITHOUT NOTICE TO IMPROVE RELIABILITY, FUNCTION OR DESIGN OR OTHERWISE.  
© Boplan, the Boplan logo, Flex Impact and RackBull are trademarks of Boplan bv. All other trademarks are property of their respective owners.