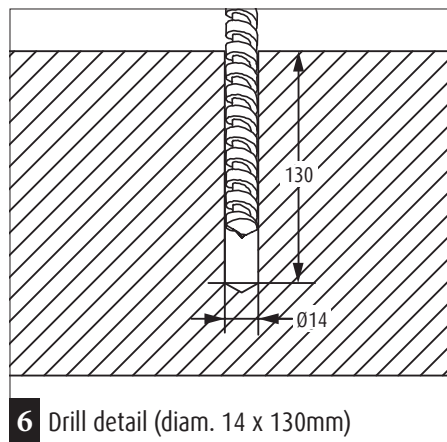
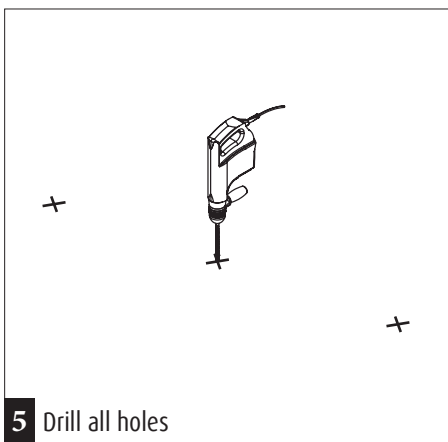
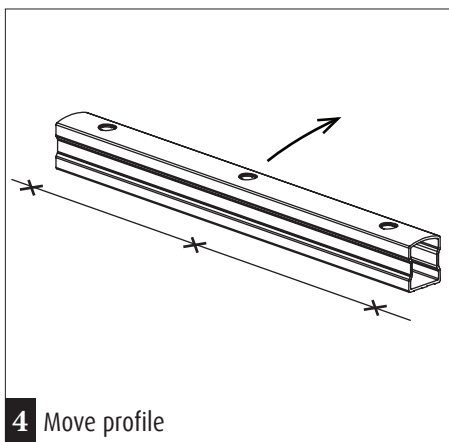
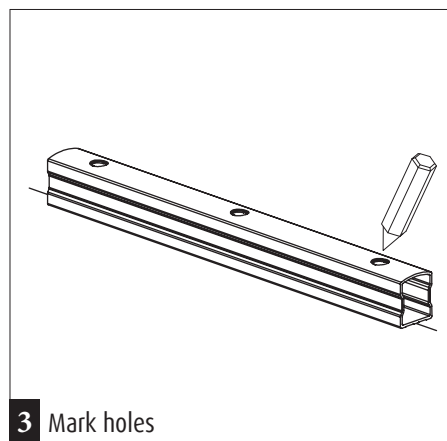
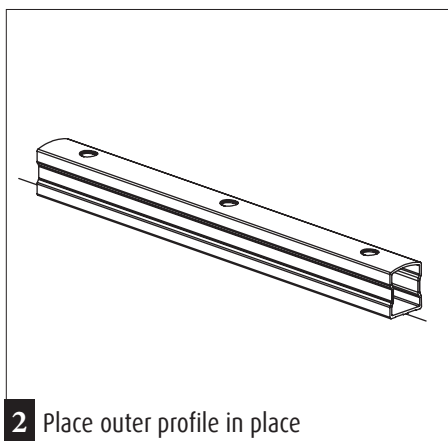
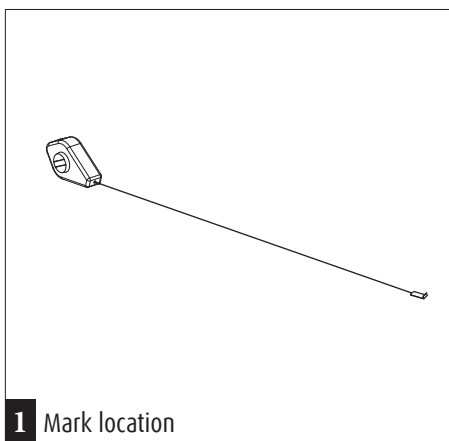
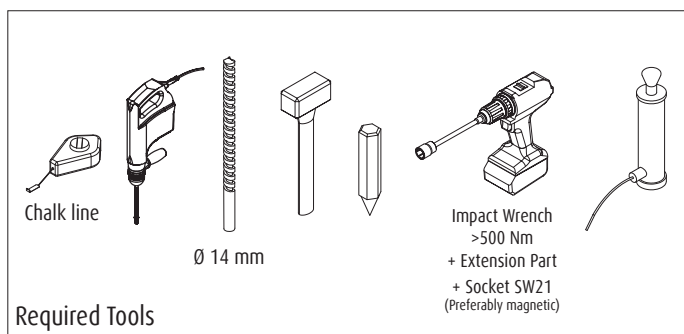
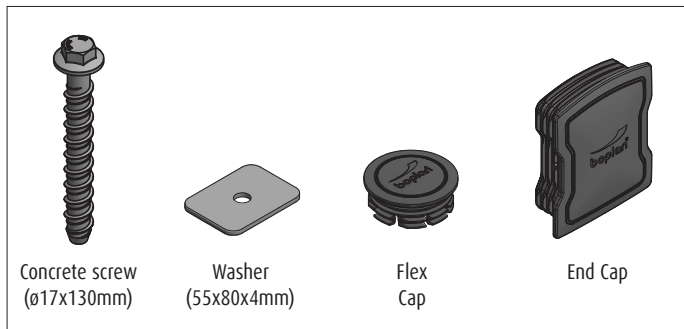
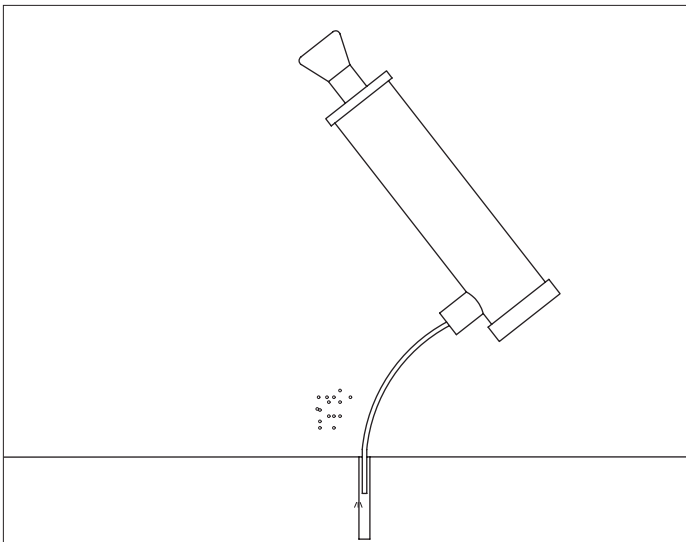


# FLIP 180

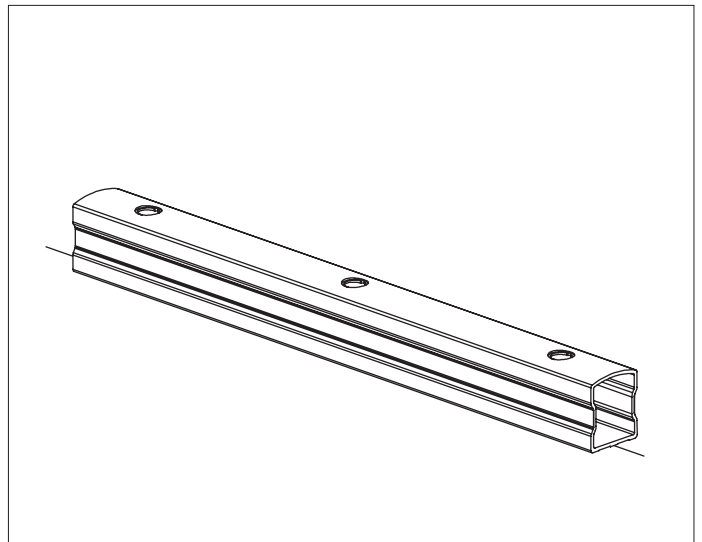
## INSTALLATION SHEET

Reference: PL1810-...

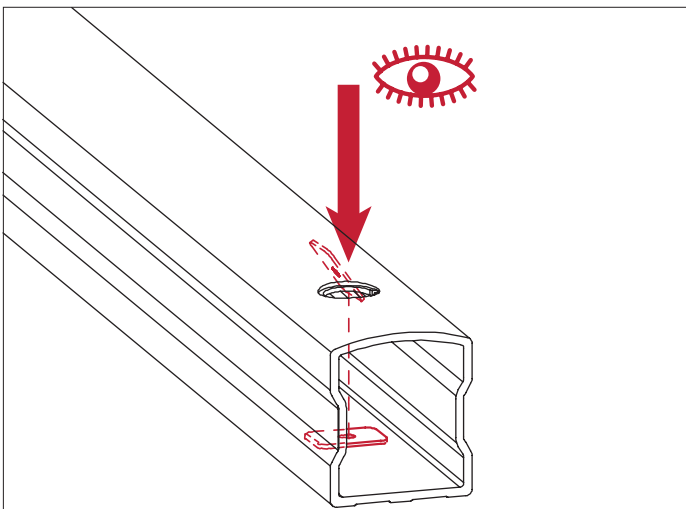




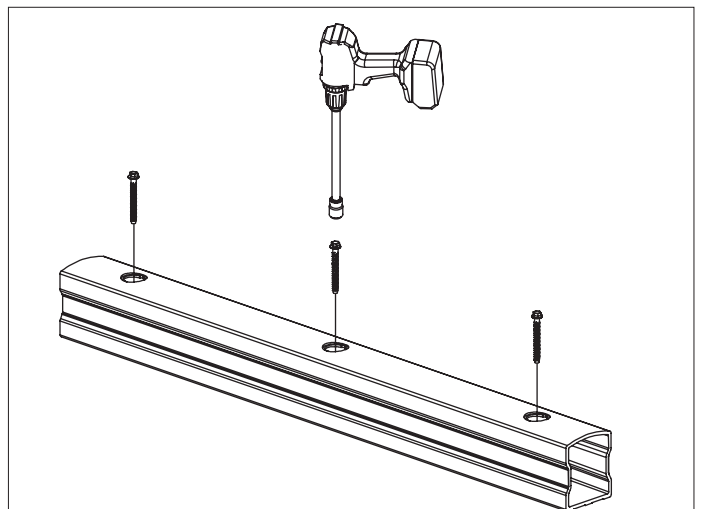
**7** Remove dust



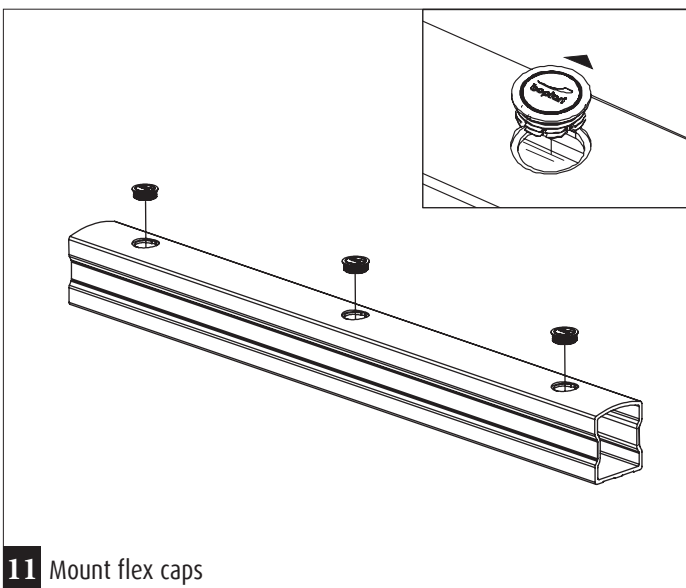
**8** Place the profile back in place and align the holes



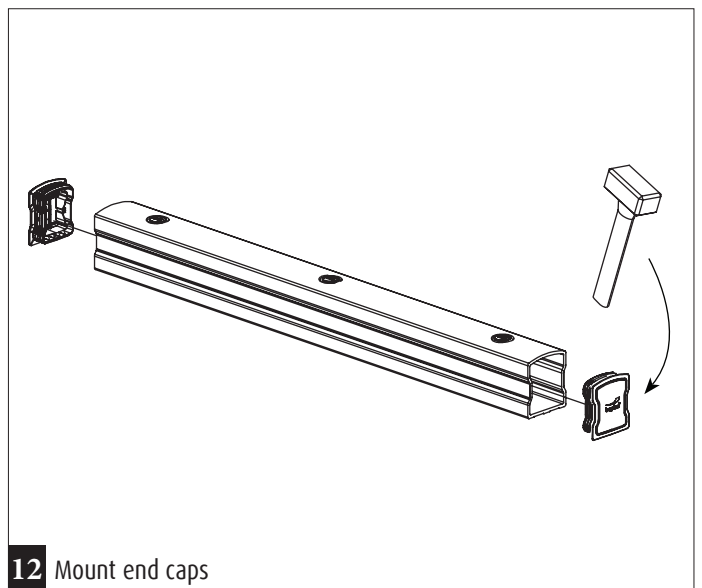
**9** Place a washer trough each hole and position correctly



**10** Position the screws and tighten with impact wrench  
Torque = 100 Nm



**11** Mount flex caps



**12** Mount end caps