

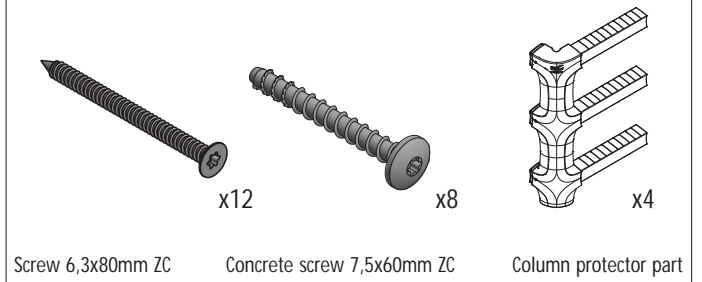
# UNIVERSAL COLUMN PROTECTOR HD

CP0700-1100-S100  
CP1000-1100-S100

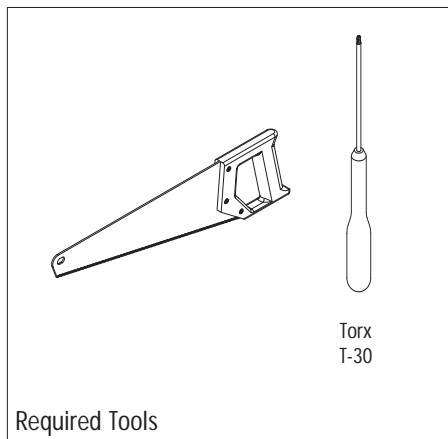
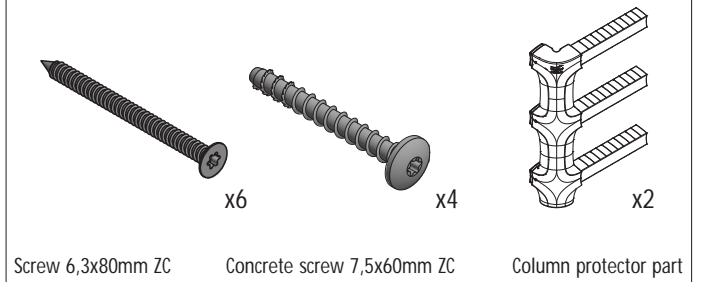
## INSTALLATION SHEET



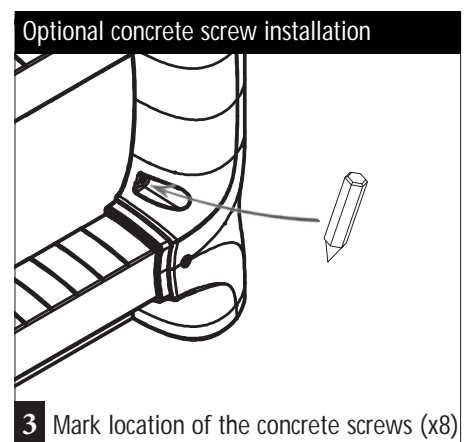
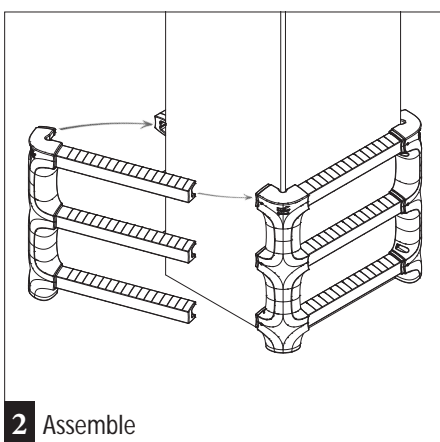
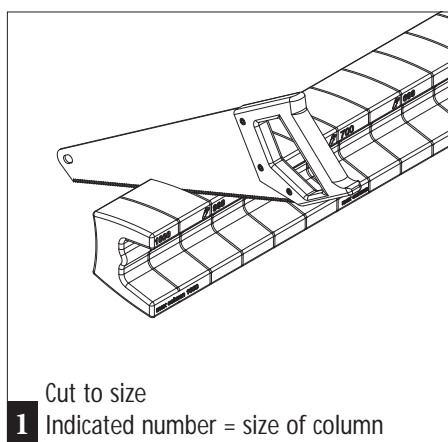
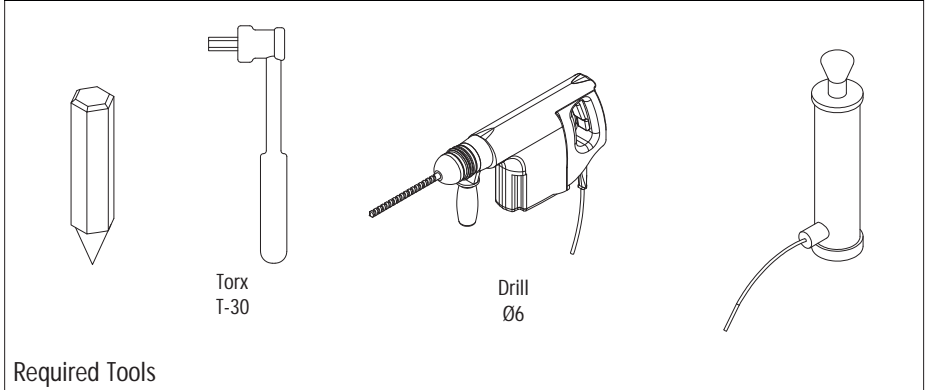
### 1 Universal Column Protector HD contains:



### 1 Box contains:



### Optional concrete screw installation

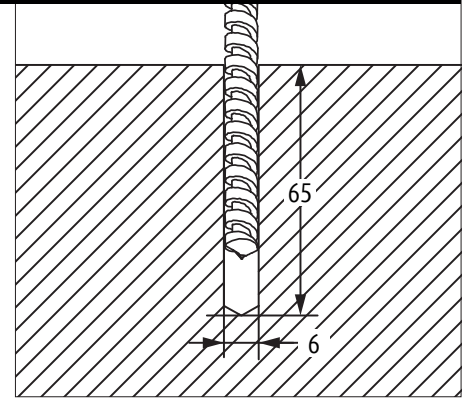
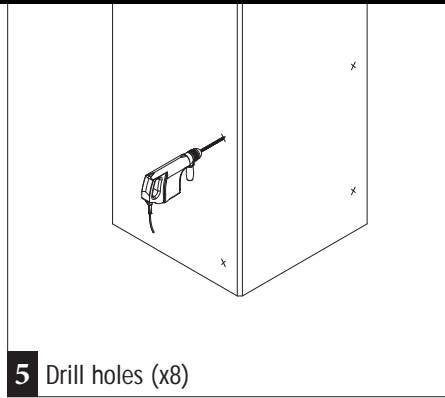
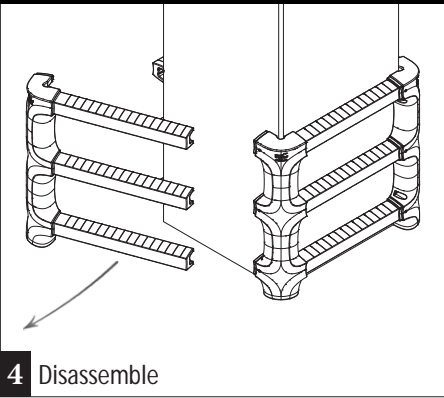


For more information, please visit [www.boplan.com](http://www.boplan.com)

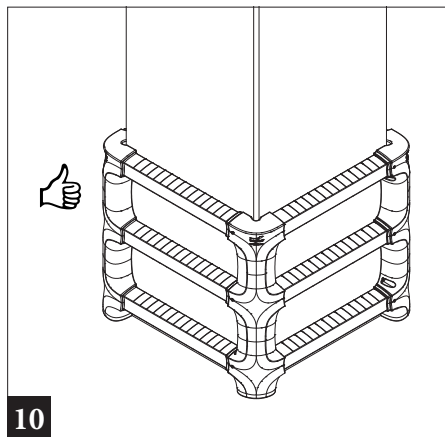
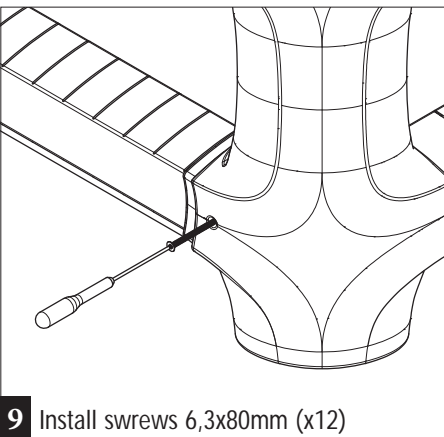
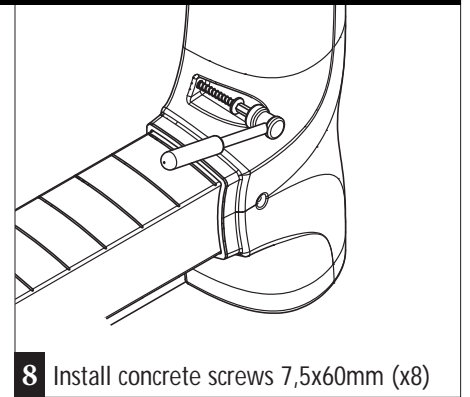
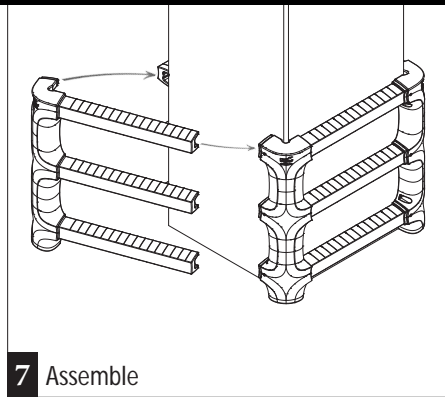
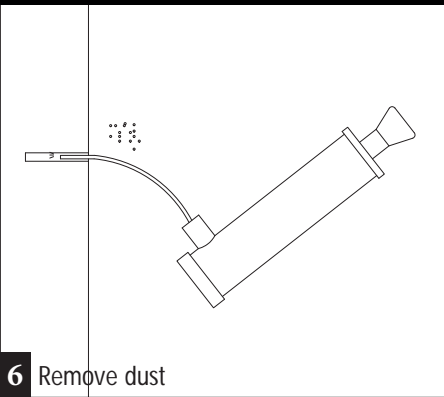
Rev: 5 January 2018 4:08 PM



Optional concrete screw installation



Optional concrete screw installation



For more information, please visit [www.boplan.com](http://www.boplan.com)

Rev: 5 January 2018 4:08 PM

