

# TB 260 GRILL BARRIER

## SAFETY BARRIERS

Revision: 29 January 2026 9:33 AM  
Boplan reference: GB2...



### PRODUCT SPECIFICATIONS

#### APPLICATION

Environment	Single tube traffic barrier protects people against the impact of forklifts and falling goods. Intended for indoor use.
Impact performance at 90°	POST: 12000 Joule (Eq. to 5ton - 7.9 km/h)
	RAIL: 21200 Joule (Eq. to 5ton - 10.5 km/h)

#### MATERIAL

Posts and rails	Extrilene® - UV resistant - Fire class E <sup>+</sup> - Non conductive - Impervious to most chemicals*
Caps	Sustainable elastomer

#### STANDARD COLOURS



End post	Black RAL 9005
Mid post	Black RAL 9005
Impact tube	Yellow RAL 1003
Handrails	Yellow RAL 1003

#### BASEPLATES

	Steel
Material	Steel 37
Coating	Lacquered
Colour	High gloss black

\*Classification according to EN 13501-1:2007 +A1:2009 - Fire classification of construction products and building elements.  
\*\*Ask your local sales office for resistance to specific chemicals.

#### FIXATIONS

			ZC (Zinc coated)	SS (Stainless steel)
STANDARD	Wedge anchor		M12 x 120mm	Not available
	Anchor rod (Chemical)		M12 x 120mm + Chemical resin	Not available

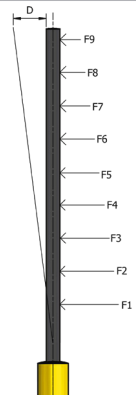


## FEATURES AND FUNCTIONALITY - TB 260 GRILL BARRIER

SIZE	
Height end posts	maximum 3075 mm
Height mid post	maximum 3075 mm
Profile section tubes	Ø200 mm (11 mm thick)
Profile section handrails	50 mm x 70 mm (6 mm thick)
Profile section end posts	Outer tube: Ø250 mm (11 mm thick) Inner profile: 112 mm x 112 mm (10 mm thick)
Profile section mid posts	Profile: 112 mm x 112 mm (10 mm thick)
Standard rail length (cc)	1350mm (center - center 1600mm)
Baseplate	End Post: 275 mm x 275 mm x (10 mm thick) Mid Post: 180 mm x 180 mm x (10 mm thick)

REQUIREMENTS	
Concrete quality	minimum C25/30
Concrete floor plate thickness (mm)	minimum 150 mm
Concrete slab dimension around posts (mm)	600 (h) x 600 (w) x 300 (d)
Operational temperature	-10°C up to +40°C
Water and humidity	<b>Steel</b> (standard): dry indoor use only.

HOLDING POWER		
	Force*	Deflection**
3075mm - 9R	F9 = 2600 N	825 mm
2800mm - 8R	F8 = 2900 N	780 mm
2525mm - 7R	F7 = 3300 N	730 mm
2250mm - 6R	F6 = 3800 N	665 mm
1975mm - 5R	F5 = 4500 N	585 mm
1700mm - 4R	F4 = 5600 N	505 mm
1425mm - 3R	F3 = 7300 N	405 mm
1150mm - 2R	F2 = 10800 N	300 mm
875mm - 1R	F1 = 19500 N	175 mm



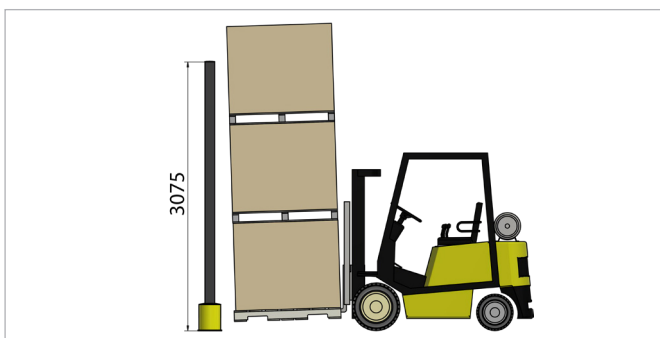
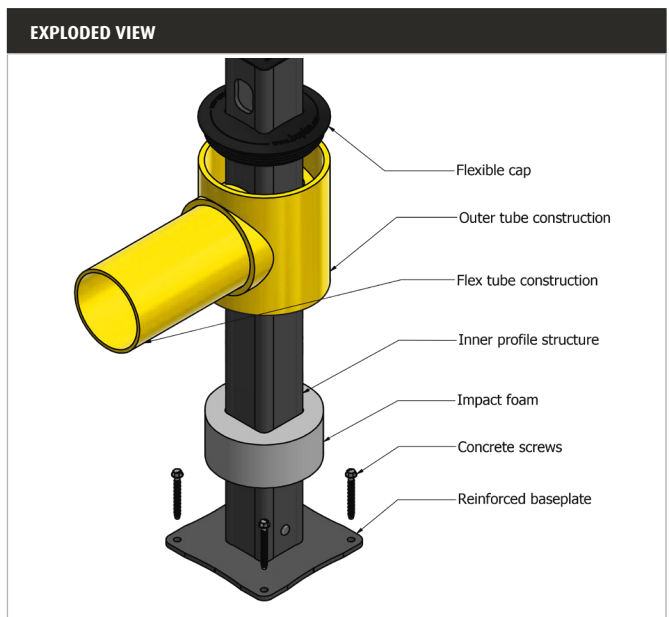
boplan IMPACT LABEL FOR SAFETY BARRIERS		
BOPLAN TB 260 GRILL BARRIER		
IMPACT RATING	45°	90°
E80 < 80 kJ		
E60 < 60 kJ		
E50 < 50 kJ		
E40 < 40 kJ		
E35 < 35 kJ		
E30 < 30 kJ	30 kJ	
E25 < 25 kJ		
E20 < 20 kJ		21,2 kJ
E15 < 15 kJ		
E10 < 10 kJ		
E5 < 5,0 kJ		
E2 < 2,5 kJ		

TEST CONDITIONS	TEST VEHICLE	ACCREDITED TEST LABORATORY
TEMPERATURE: 20°C / 68°F IMPACT HEIGHT: 160 mm / 6 1/4 Inch IMPACT ANGLE: 90° TEST FLOOR: CONCRETE SLAB C25/30 - 160 mm / 6 Inch MANUFACTURER ANCHOR PULL OUT: 7,9 kN	WEIGHT: 2300 KG / 5070.63 lbs TYPE: COMMERCIAL FORK LIFT SIZE (L x W x h): 1890x1020x1970 mm / 74x40x78 Inch CONTACT AREA: STEEL BUMPER WIDTH: 600 mm / 24 Inch	620 Route des Fromentaux 01500 Saint-Maurice-de-Rémens 01360 Bèligneux France

**SUCCESS CRITERIA** VEHICLE STOPPED - ASI (ACCELERATION SEVERITY INDEX) < 0,5

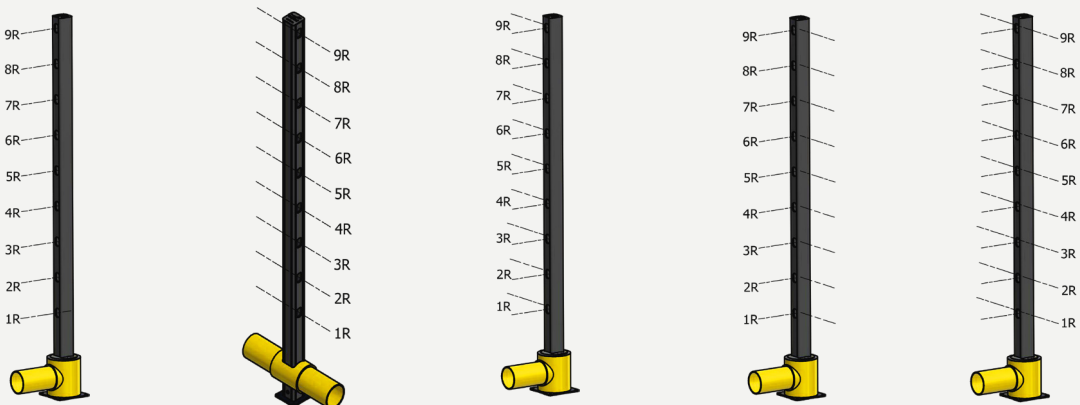
**IL-G82-20230920**

\* Force acting on the center of the hand rails (between posts)  
\*\* Deflection (D) measured on top side.



**REFERENCE LIST - TB 260 GRILL BARRIER**

POSTS					
	End post	Mid post	Corner post 90° Up	Corner post 90° Down	T-end post (incl. caps)
3075mm - 9R	GB2275-3075-EPYE	GB2275-3075-MPYE	GB2275-3075-CPUYE	GB2275-3075-CPDYE	GB2275-3075-TPYE
2800mm - 8R	GB2275-2800-EPYE	GB2275-2800-MPYE	GB2275-2800-CPUYE	GB2275-2800-CPDYE	GB2275-2800-TPYE
2525mm - 7R	GB2275-2525-EPYE	GB2275-2525-MPYE	GB2275-2525-CPUYE	GB2275-2525-CPDYE	GB2275-2525-TPYE
2250mm - 6R	GB2275-2250-EPYE	GB2275-2250-MPYE	GB2275-2250-CPUYE	GB2275-2250-CPDYE	GB2275-2250-TPYE
1975mm - 5R	GB2275-1975-EPYE	GB2275-1975-MPYE	GB2275-1975-CPUYE	GB2275-1975-CPDYE	GB2275-1975-TPYE
1700mm - 4R	GB2275-1700-EPYE	GB2275-1700-MPYE	GB2275-1700-CPUYE	GB2275-1700-CPDYE	GB2275-1700-TPYE
1425mm - 3R	GB2275-1425-EPYE	GB2275-1425-MPYE	GB2275-1425-CPUYE	GB2275-1425-CPDYE	GB2275-1425-TPYE

RAIL SETS									
	CC1000mm 750mm - YE	CC1200mm 950mm - YE	CC1400mm 1150mm - YE	CC1600mm 1350mm - YE	CC1800mm 1550mm - YE	CC2000mm 1750mm - YE	Short rail CC850-1599 - YE	Long rail CC1601-2000 - YE	Conn.tube Ø250 350mm - 90° - YE
9R	GBR900-0750-1000YE	GBR900-0950-1200YE	GBR900-1150-1400YE	GBR900-1350-1600YE	GBR900-1550-1800YE	GBR900-1750-2000YE	GBR909-1599-SRYE	GBR909-2000-LRYE	GBR900-0350-C259YE
8R	GBR800-0750-1000YE	GBR800-0950-1200YE	GBR800-1150-1400YE	GBR800-1350-1600YE	GBR800-1550-1800YE	GBR800-1750-2000YE	GBR809-1599-SRYE	GBR809-2000-LRYE	GBR800-0350-C259YE
7R	GBR700-0750-1000YE	GBR700-0950-1200YE	GBR700-1150-1400YE	GBR700-1350-1600YE	GBR700-1550-1800YE	GBR700-1750-2000YE	GBR709-1599-SRYE	GBR709-2000-LRYE	GBR700-0350-C259YE
6R	GBR600-0750-1000YE	GBR600-0950-1200YE	GBR600-1150-1400YE	GBR600-1350-1600YE	GBR600-1550-1800YE	GBR600-1750-2000YE	GBR609-1599-SRYE	GBR609-2000-LRYE	GBR600-0350-C259YE
5R	GBR500-0750-1000YE	GBR500-0950-1200YE	GBR500-1150-1400YE	GBR500-1350-1600YE	GBR500-1550-1800YE	GBR500-1750-2000YE	GBR509-1599-SRYE	GBR509-2000-LRYE	GBR500-0350-C259YE
4R	GBR400-0750-1000YE	GBR400-0950-1200YE	GBR400-1150-1400YE	GBR400-1350-1600YE	GBR400-1550-1800YE	GBR400-1750-2000YE	GBR409-1599-SRYE	GBR409-2000-LRYE	GBR400-0350-C259YE
3R	GBR300-0750-1000YE	GBR300-0950-1200YE	GBR300-1150-1400YE	GBR300-1350-1600YE	GBR300-1550-1800YE	GBR300-1750-2000YE	GBR309-1599-SRYE	GBR309-2000-LRYE	GBR300-0350-C259YE

**TECHNICAL DRAWINGS - TB 260 GRILL BARRIER**

