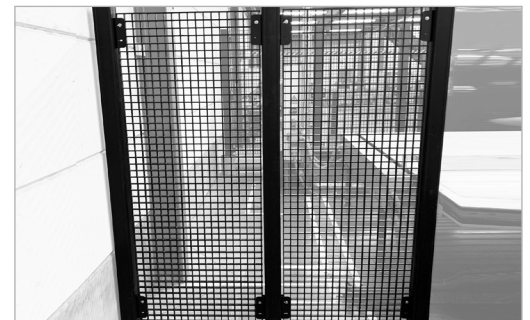
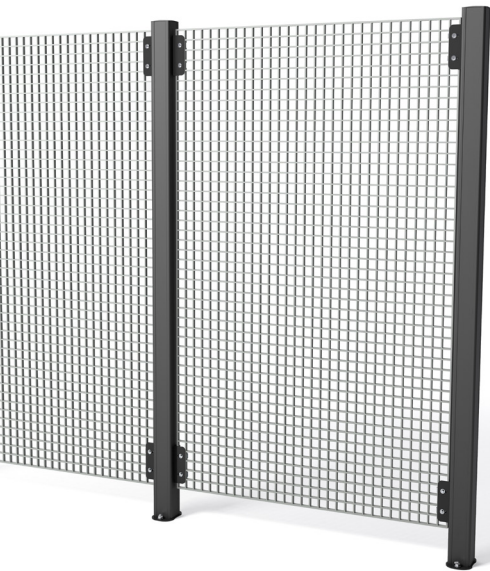


FE FENCE HANDRAILS

Revision: 13 April 2026 11:18 AM
Boplan reference: FE09..



PRODUCT SPECIFICATIONS

APPLICATION	
Environment	The FE Fence provides a cost-efficient guarding and protection for pedestrians. The glass fibre reinforced resin gives the fence flexibility to return to its original shape after an impact. As a result it requires less maintenance than metal fencing.
Compliance	The narrow mesh size allows a close safety distance of 8 inches towards the danger. (According machine directive 2006/42/EC)
Advisory speed	This product is not intended for impact with fork lift trucks or other motorized vehicles.
MATERIAL	
Posts	Extrilene - UV resistant - Fire class E ⁺ - Non conductive - Impervious to most chemicals ^{**}
Mesh	Glass fiber reinforced composite
STANDARD COLOURS	
End post	Standard: Black RAL 9005
Mid post	Standard: Black RAL 9005
Mesh	Black
BASEPLATES	
	Steel
Material	Steel 37
Coating	Lacquered
Colour	High gloss black

*Classification according to EN 13501-1:2007 +A1:2009 - Fire classification of construction products and building elements.

**Ask your local sales office for resistance to specific chemicals.

		FIXATIONS	
		ZC (Zinc coated)	SS (Stainless steel)
STANDARD	Wedge anchor	1/2 in x 4 1/2 in	Not available
	Wedge anchor	M12 x 120 mm	Not available
ALTERNATIVES	Concrete screw	Ø12mm x 100mm	Not available
	Anchor rod (Chemical)	M12 x 120 mm + Chemical resin	Not available
	Spit anchor	Bolt M12 x 100 mm + Plug Ø20 mm	Not available

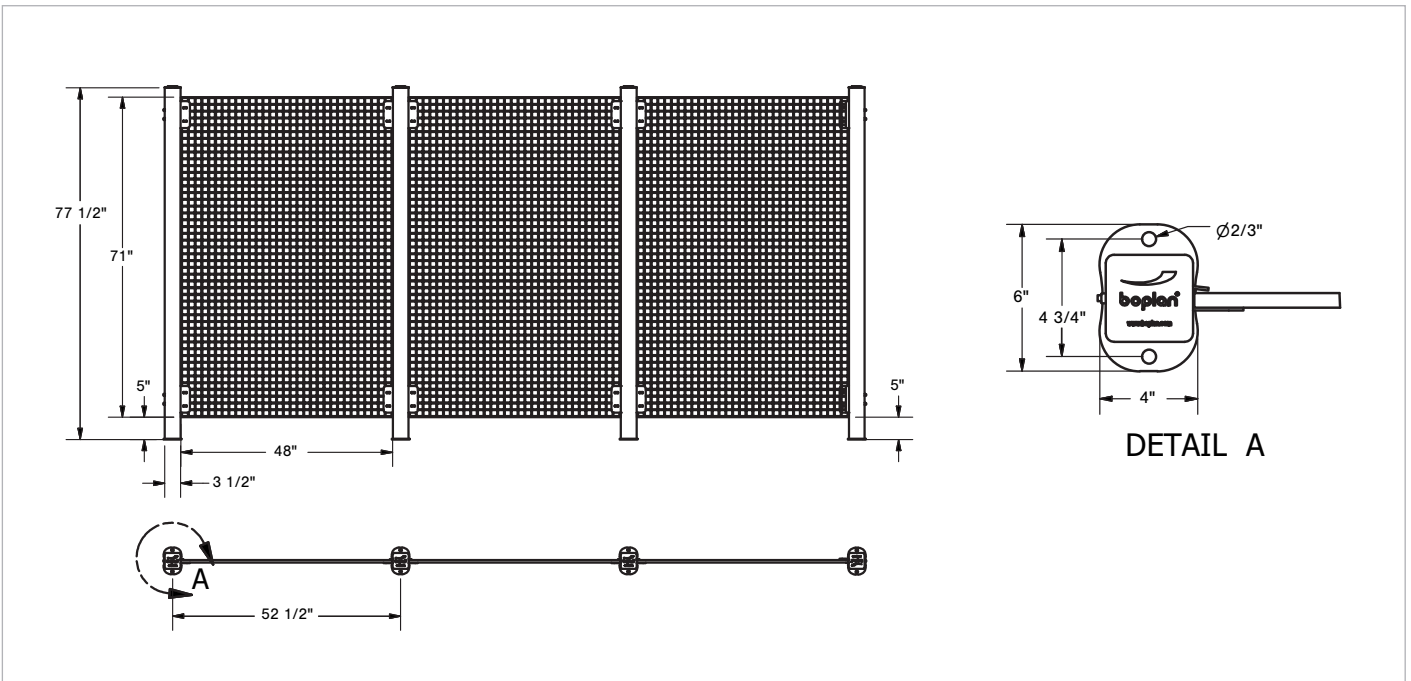
FEATURES AND FUNCTIONALITY - FE FENCE

SIZE	
Height end posts	77 1/2 in
Height mid post	77 1/2 in
Profile section posts	Profile: 4 2/5 x 4 2/5 in (1/3 in thick)
Standard mesh panel	Thickness: 1/2 in Width: 48 in Height: 71 in Mesh inner dimension: 1 1/3 x 1 1/3 in
Baseplate	6 x 4 x (1/4 in thick)

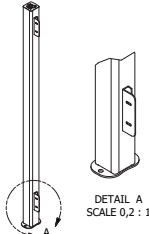
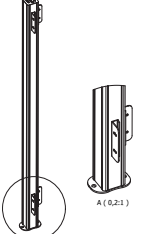
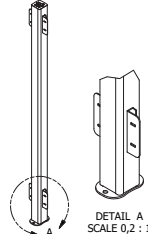
IMPACT PERFORMANCE	
Impact resistance of mesh panel.	Static point load of 101 lb-f gives a maximum deflection of 2/3 in.

REQUIREMENTS	
Concrete quality	minimum 4000 PSI (C25/30)
Concrete floor plate thickness	minimum 6 in
Concrete slab dimension around posts (in)	23 2/3 (h) x 23 2/3 (w) x 11 4/5 (d)
Operational temperature	14°F up to 104°F
Water and humidity	Steel (standard): dry indoor use only.

COMPLIANCE MESH	
Machine directive	The narrow mesh size allows a close safety distance of 7 7/8 in towards the danger. (According machine directive 2006/42/EC)



REFERENCE LIST - FE FENCE

POSTS		
End post - BL	End Corner post - BL - 90°	Mid post - BL
FE0900-0001-EPBL	FE0900-0001-CPBL	FE0900-0001-MPBL
 <p>DETAIL A SCALE 0,2 : 1</p>	 <p>A (0,2:1)</p>	 <p>DETAIL A SCALE 0,2 : 1</p>

RAIL SETS				
	Fence length	CC length	Fence height	REFERENCE
Standard Fence Panel	48 in	52 1/2 in	71 in	FE0903-1220-1800BL
Variable length Fence Panel	10 - 48 in	14.5 - 52.5 in	71 in	FE0903-1220-181CBL

