

# TB 400 PLUS

## SAFETY BARRIERS






Revision: 20 January 2026 9:55 AM  
Boplan reference: TP4000-...

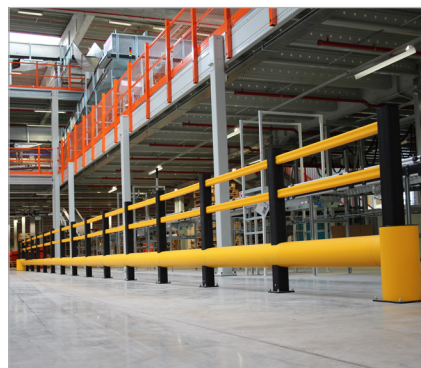


### PRODUCT SPECIFICATIONS

APPLICATION			
Environment	The TB 400 Plus is used for creating walkways and protecting pedestrians from pallet trucks, lift trucks, forklifts or other vehicles.		
Impact performance at 90°	POST: 16100 Joule (Eq. to 5 ton - 5.6 mph)		
	RAIL: 20100 Joule (Eq. to 5 ton - 6.3 mph)		
MATERIAL			
Posts and rails	Extrilene® - UV resistant - Fire class E <sup>+</sup> - Non conductive - Impervious to most chemicals <sup>**</sup>		
Caps	Sustainable elastomer		
STANDARD COLOURS			
End post	Black RAL 9005		
Mid post	Black RAL 9005		
Impact tube	Yellow RAL 1003		
Handrails	Yellow RAL 1003		
BASEPLATES			
	Steel	Zinc Coated Steel	Stainless steel
Material	Steel 37	Steel 37	Stainless steel 304
Coating	Lacquered	Electroplated + Laquered	No lacquer / No coating
Colour	High gloss black	Mat black	Natural colour

<sup>\*</sup>Classification according to EN 13501-1:2007 +A1:2009 - Fire classification of construction products and building elements.  
<sup>\*\*</sup>Ask your local sales office for resistance to specific chemicals.

FIXATIONS				
			ZC (Zinc coated)	SS (Stainless steel)
STANDARD	Wedge anchor		1/2 in x 4 1/2 in	Not available
	Wedge anchor		M12 x 120 mm	M12 x 120 mm
ALTERNATIVES	Anchor rod (Chemical)		M12 x 120 mm + Chemical resin	M12 x 120 mm + Chemical resin
	Asphalt anchor		Bolt M10 x 40 mm + Screw Ø16 mm	Not available
	Spit anchor		Bolt M12 x 100 mm + Plug Ø20 mm	Not available



**FEATURES AND FUNCTIONALITY - TB 400 PLUS**

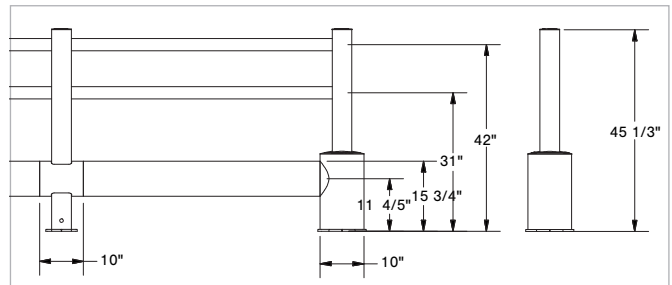
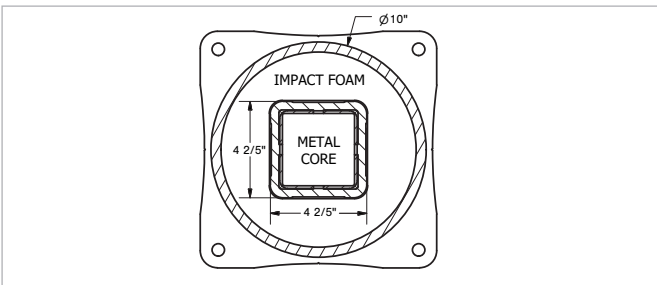
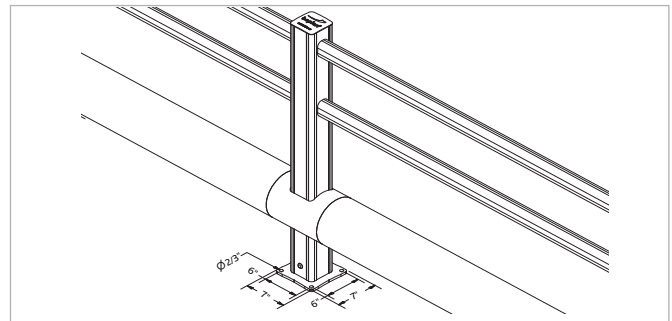
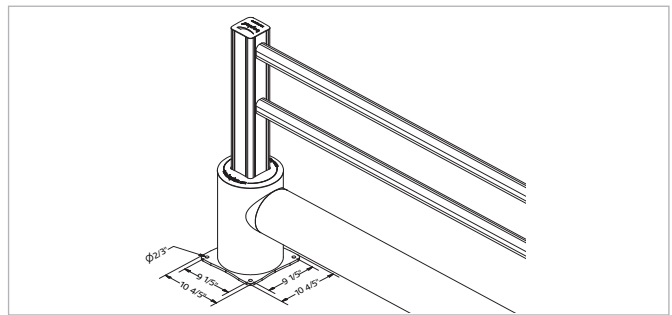
SIZE	
Height end posts	45 1/3 in
Height mid post	45 1/3 in
Profile section tubes	Ø8 in (2/5 in thick)
Profile section handrails	2 x 2 3/4 in (1/5 in thick)
Profile section end posts	Outer tube: Ø10 in (2/5 in thick) Inner profile: 4 2/5 x 4 2/5 in (1/3 in thick)
Profile section mid posts	Profile: 4 2/5 x 4 2/5 in (1/3 in thick)
Standard rail length	CC60 in (Tube length - 50 in)
Baseplate	End Post: 10 4/5 x 10 4/5 in (1/3 in thick) Mid Post: 7 x 7 in (1/3 in thick)

REQUIREMENTS	
Concrete quality	minimum 4000 PSI (C25/30)
Concrete floor plate thickness	minimum 6 in
Concrete slab dimension around posts (in)	23 2/3 (h) x 23 2/3 (w) x 19 3/4 (d)
Operational temperature	14°F up to 104°F
Water and humidity	<b>Steel (standard):</b> dry indoor use only. <b>Zinc coated:</b> outdoor use in most environments. <b>Stainless Steel:</b> outdoor use or frequent exposure to water and humidity.



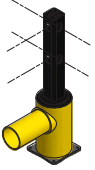
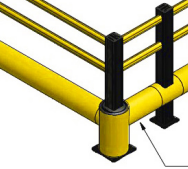
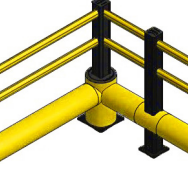
**boplan** **IMPACT LABEL FOR SAFETY BARRIERS**

BOPLAN TB 400 PLUS		
IMPACT RATING	45°	90°
E80 > 80 kJ		
E60 > 60 kJ		
E50 > 50 kJ		
E40 > 40 kJ		
E35 > 35 kJ		
E30 > 30 kJ	<b>28,4 kJ</b>	
E25 > 25 kJ		<b>20,1 kJ</b>
E20 > 20 kJ		
E15 > 15 kJ		
E10 > 10 kJ		
E5 > 5,0 kJ		
E2 > 2,5 kJ		

<b>TEST CONDITIONS</b> TEMPERATURE: 20°C / 68°F IMPACT HEIGHT: 300 mm / 11 3/4 Inch IMPACT ANGLE: 90° TEST FLOOR: CONCRETE SLAB C25/30 - 160 mm / 6 Inch MANUFACTURER ANCHOR PULL OUT: 7,9 kN	<b>TEST VEHICLE</b> WEIGHT: 2300 KG / 5070.63 lbs TYPE: COMMERCIAL FORK LIFT SIZE (L x W x h): 1890x1020x1970 mm / 74x40x78 Inch CONTACT AREA: STEEL BUMPER WIDTH: 600 mm / 24 Inch	<b>ACCREDITED TEST LABORATORY</b> 620 Route des Fromentaux 01500 Saint-Maurice-de-Rémens 01360 Bèlignieux France 
<b>SUCCESS CRITERIA</b> VEHICLE STOPPED - ASI (ACCELERATION SEVERITY INDEX) < 0.5		<b>IL-TF400-20230920</b>



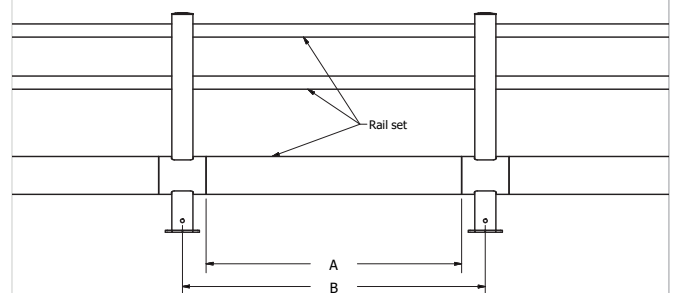
**REFERENCE LIST - TB 400 PLUS**

POSTS		
End post End post - ZC End post - SS	TP4000-0001-EPYE TP4000-0001-EPYEZ TP4000-0001-EPYES	
Mid post Mid post - ZC Mid post - SS	TP4000-0001-MPYE TP4000-0001-MPYEZ TP4000-0001-MPYES	
T end post* T end post - ZC* T end post - SS*	TP4000-0001-TPYE TP4000-0001-TPYEZ TP4000-0001-TPYES	
Corner post - 90° - Up Corner post - 90° - Up - ZC Corner post - 90° - Up - SS	TP4000-0001-CPUYE TP4000-0001-CPUYEZ TP4000-0001-CPUYES	
Corner post - 90° - Down Corner post - 90° - Down - ZC Corner post - 90° - Down - SS	TP4000-0001-CPDYE TP4000-0001-CPDYEZ TP4000-0001-CPDYES	

\* 2 caps included to close handrail hole

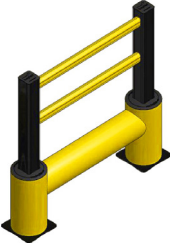
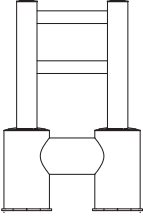
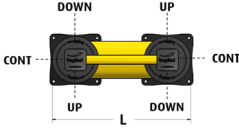
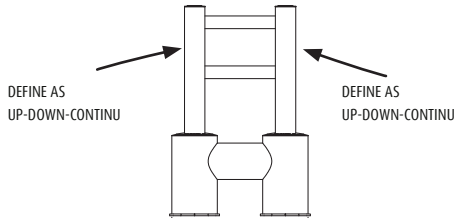
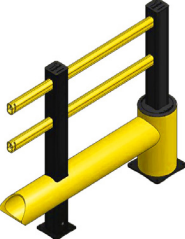
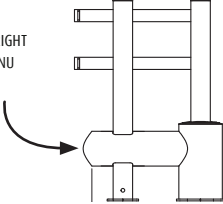
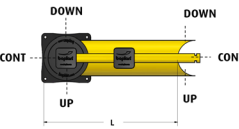
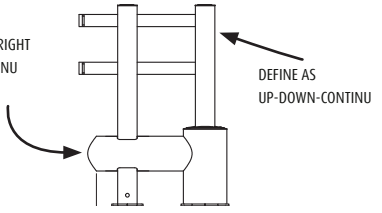
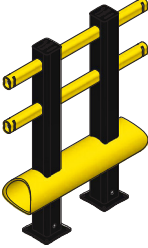
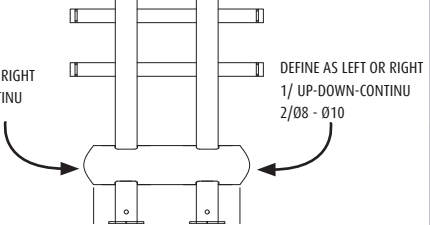
CURVES		
Conn.tube Ø8 in Curve 14 in - YE	TP4000-0014-C080YE	
Conn.tube Ø8 in - 45° Curve 14 in - YE	TP4000-0014-C084YE	
Conn.tube Ø8 in - 90° Curve 14 in - YE	TP4000-0014-C089YE	
Conn.tube Ø10 in Curve 14 in - YE	TP4000-0014-C100YE	
Conn.tube Ø10 in - 90° Curve 14 in - YE	TP4000-0014-C109YE	

RAIL SETS			
	Tube length (A)	CC length (B)	Reference
Standard rail	26 in	36 in	TB4000-0817-1067YE
Standard rail	38 in	48 in	TB4000-0970-1220YE
Standard rail	50 in	60 in	TB4000-1275-1525YE
Standard rail	62 in	72 in*	TB4000-1578-1828YE
Standard rail	68 in	78 in*	TB4000-1730-1980YE
Short rail	26 - 38 in	36 - 48 in	TB4009-0048-SRYE
Long rail	50 - 62 in	60 - 72 in*	TB4009-0072-LRYE

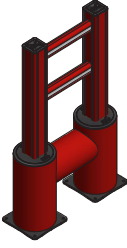
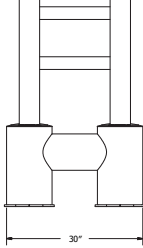


\* The impact performance has not been tested for tube lengths > 63 in.  
Only use these lengths for non - critical applications.

**REFERENCE LIST - TB 400 PLUS**

FIXED UNITS						
TYPE	LENGTH	BASE	REFERENCE YE			
no curves	Endpost	30 in	Steel ZC SS	TP4000-0750-FUYE TP4000-0750-FUYEZ TP4000-0750-FUYES		
		30 - 68 in	Steel ZC SS	TP4001-1750-FUYE TP4001-1750-FUYEZ TP4001-1750-FUYES		
	Post <i>Up</i> <i>Down</i> <i>Continu</i>	30 in	Steel ZC SS	TP4002-0750-FUYE TP4002-0750-FUYEZ TP4002-0750-FUYES		
		30 - 68 in	Steel ZC SS	TP4002-1750-FUYE TP4002-1750-FUYEZ TP4002-1750-FUYES		
1 curve	Endpost	30 in	Steel ZC SS	TP4000-0750-FU1CYE TP4000-0750-FU1CYEZ TP4000-0750-FU1CYES		
		30 - 68 in	Steel ZC SS	TP4001-1750-FU1CYE TP4001-1750-FU1CYEZ TP4001-1750-FU1CYES		
	Post <i>Up</i> <i>Down</i> <i>Continu</i>	30 in	Steel ZC SS	TP4002-0750-FU1CYE TP4002-0750-FU1CYEZ TP4002-0750-FU1CYES		
		30 - 68 in	Steel ZC SS	TP4002-1750-FU1CYE TP4002-1750-FU1CYEZ TP4002-1750-FU1CYES		
2 curves	-	30 in	Steel ZC SS	TP4000-0750-FU2CYE TP4000-0750-FU2CYEZ TP4000-0750-FU2CYES		
		30 - 68 in	Steel ZC SS	TP4001-1750-FU2CYE TP4001-1750-FU2CYEZ TP4001-1750-FU2CYES		

**REFERENCE LIST - TB 400 PLUS**
**FIXED UNITS**

TYPE	LENGTH	BASE	REFERENCE RE			
no curves	Endpost	30 in	Steel	TP4000-0750-FURE		
	Endpost	30-68 in	Steel	TP4001-1750-FURE		
no curves, with sign board	Endpost	30-68 in	Steel	TP4001-1750-FURESB	