

# HD MEZZA HANDRAILS

Revision: 13 January 2026 9:09 AM  
Boplan reference: HM0900-...




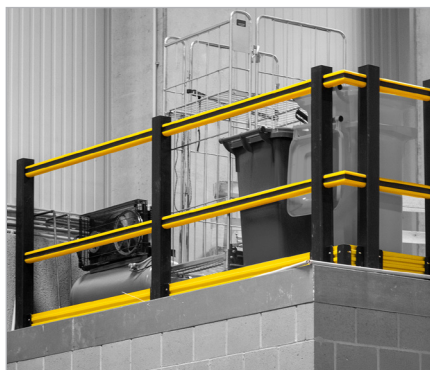
## PRODUCT SPECIFICATIONS

APPLICATION			
Protection	Balustrade for pedestrians on mezzanine, floors and heights. The extra skirting board at the bottom eliminates the risk of objects sliding under the balustrade. HD Mezza is not intended for impact with fork lift trucks or other motorized vehicles.		
MATERIAL			
Posts and rails	Extrilene® - UV resistant - Fire class E <sup>+</sup> - Non conductive - Impervious to most chemicals <sup>**</sup>		
Skirting board	Glass fiber reinforced plastic		
Caps	Sustainable elastomer		
STANDARD COLOURS			
End post / Mid post	Black RAL 9005		
Handrails	Yellow RAL 1003 or Yellow/Black		
Skirting board	Yellow RAL 1003		
BASEPLATES			
	Steel	Zinc Coated Steel	Stainless steel
Material	Steel 37	Steel 37	SS 304
Coating	Lacquered	Electroplated + Laquered	No lacquer / No coating
Colour	High gloss black	Mat black	Natural colour

\*Classification according to EN 13501-1:2007 +A1:2009 - Fire classification of construction products and building elements.

\*\*Ask your local sales office for resistance to specific chemicals.

FIXATIONS				
			ZC (Zinc coated)	SS (Stainless steel)
STANDARD	Wedge anchor		1/2 in x 4 1/2 in	Not available
	Wedge anchor		M12 x 120 mm	M12 x 120 mm
ALTERNATIVES	Concrete screw		Ø12mm x 100mm	Not available
	Anchor rod (Chemical)		M12 x 120 mm + Chemical resin	M12 x 120 mm + Chemical resin
	Spit anchor		Bolt M12 x 100 mm + Plug Ø20 mm	Not available



**FEATURES AND FUNCTIONALITY - HD MEZZA**

SIZE	
Height end posts	45 1/3 in
Height mid post	45 1/3 in
Standard rail length	Standard length: 60 in (center - center dimension)
Profile section handrail	2 x 2 3/4 in (1/5 in wall thickness)
Baseplate	6 x 4 in (1/5 in thick)
Profile section posts	3 1/2 x 3 1/2 in (1/3 in wall thickness)
Height skirting board	6 in

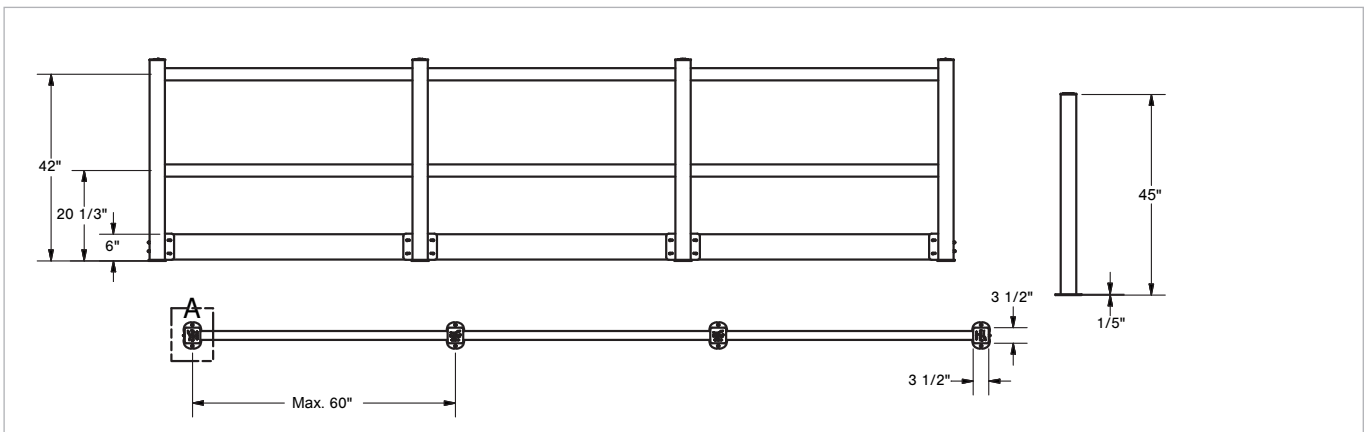
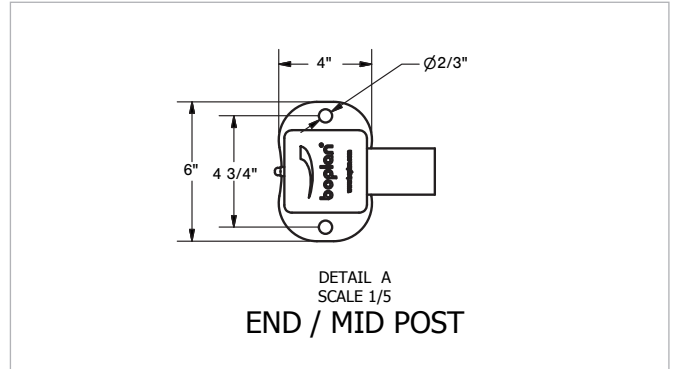
REQUIREMENTS	
Concrete quality	minimum 4000 PSI (C25/30)
Concrete floor plate thickness	minimum 6 in
Concrete slab dimension around posts (in)	15 3/4 (h) x 15 3/4 (w) x 11 4/5 (d)
Operational temperature	14°F up to 104°F
Water and humidity	<b>Steel</b> (standard): dry indoor use only. <b>Zinc coated:</b> outdoor use in most environments. <b>Stainless steel:</b> outdoor use or frequent exposure to water and humidity.

**COMPLIANCE**

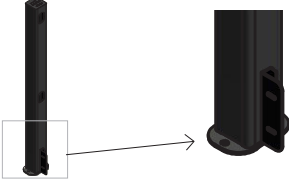
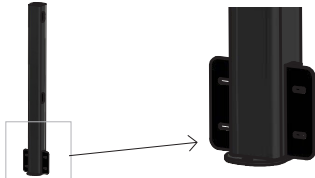
The HD LIGHT handrail fully complies with safety standard EN14122-3 chapter 7 and 8.  
=> Strength of rails and posts tested and approved for use on heights by **TUV Nord**.

**IMPACT PERFORMANCE**

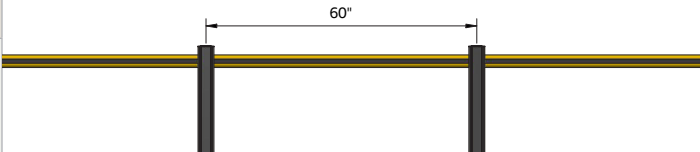

HD mezza handrails are not intended for impact with fork lift trucks or other motorized vehicles.



**REFERENCE LIST - HD MEZZA**
**HD MEZZA POSTS**

End post BL + Kick GRP End post BL + Kick GRP - ZC End post BL + Kick GRP - SS	HM0900-0001-EPBL HM0900-0001-EPBLZ HM0900-0001-EPBLS	
Mid post BL + Kick GRP Mid post BL + Kick GRP - ZC Mid post BL + Kick GRP - SS	HM0900-0001-MPBL HM0900-0001-MPBLZ HM0900-0001-MPBLS	

**RAIL SETS (incl kick GRP)**

Center - Center length	YELLOW / BLACK	YELLOW	
60 in	HM0900-1525-0001YB	HM0900-1525-0001YE	
10 - 59 in	HM0901-1499-0001YB	HM0901-1499-0001YE	

**CORNER RAIL SETS**

Corner rail set 90°	HM0900-0200-C90YB	HM0900-0200-C90YE	See drawings below
Corner rail set 135°	HM0900-0200-C45YB	HM0900-0200-C45YE	

