

BO125L EV

BOLLARDS AND HEIGHT RESTRICTORS

Revision: 2 April 2025 12:11 PM
Boplan reference: BO125L0-...



PRODUCT SPECIFICATIONS

APPLICATION	
Environment	The BO125L EV helps prevent accidents, minimizes damage, and maintains safe accessibility to electric mobility. With their visibility and impact-resistant flexibility, EV-bollards are the most effective solution for the protection of charging stations against potential vehicle impacts.
Impact performance	500 Joule (Eq. to 2,0 ton - 2,5 km/h)
OPTIONAL	
Stripes	Coloured reflective stripes providing a high level of visibility.
MATERIAL	
Tube & Cover	Extrilene® - UV resistant - Fire class E [®] - Non conductive - Impervious to most chemicals ^{**}
Cap	Sustainable elastomer
STANDARD COLOURS	
Bollard	Standard: Black RAL 9005 Also available in Yellow RAL 1003 and White RAL 9003 (Multicolour)
Cover	Standard: Black RAL 9005
BASEPLATES	
	Zinc Coated Steel
Material	Steel 37
Coating	Electroplated + Laquered
Colour	Mat black

[®]Classification according to EN 13501-1:2007 +A1:2009 - Fire classification of construction products and building elements.
^{**}Ask your local sales office for resistance to specific chemicals.


		FIXATIONS		
			ZC (Zinc coated)	SS (Stainless steel)
STANDARD	Anchor rod (Chemical)		M12 x 120mm + Chemical resin	M12 x 120mm + Chemical resin




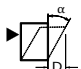

FEATURES AND FUNCTIONALITY - B0125L EV

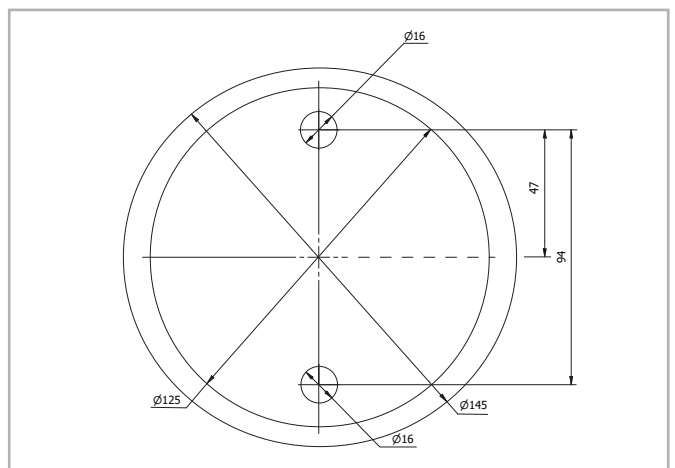
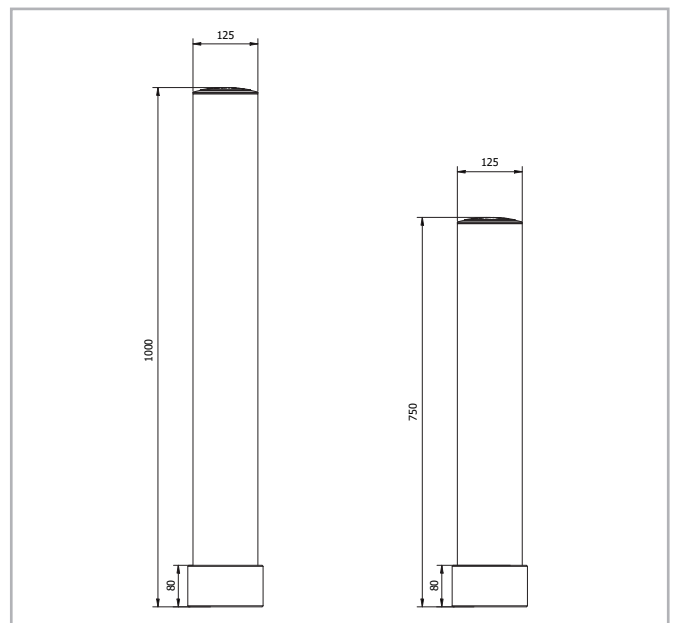
SIZE	
Height	750 mm 1000 mm
Profile section post	Ø125 mm
Baseplate	Ø125 mm (8 mm thick)
Base Cover	Diameter: Ø145 mm Height: 80 mm

REQUIREMENTS	
Concrete quality	minimum C25/30
Concrete floor plate thickness (mm)	minimum 150 mm
Concrete slab dimension around posts (mm)	400 (h) x 400 (w) x 300 (d)
Operational temperature	-10°C up to +40°C
Water and humidity	Zinc coated: Indoor and outdoor use in most environments.



IMPACT LABEL FOR SAFETY BARRIERS

BOPLAN B0125L EV	I																																				
IMPACT RATING																																					
<table style="width: 100%; border-collapse: collapse;"> <tr><td style="width: 10%;">E11</td><td style="width: 80%;"></td><td style="width: 10%; text-align: right;">< 11 kJ</td></tr> <tr><td>E10</td><td></td><td style="text-align: right;">< 10 kJ</td></tr> <tr><td>E9</td><td></td><td style="text-align: right;">< 9.0 kJ</td></tr> <tr><td>E8</td><td></td><td style="text-align: right;">< 8.0 kJ</td></tr> <tr><td>E7</td><td></td><td style="text-align: right;">< 7.0 kJ</td></tr> <tr><td>E6</td><td></td><td style="text-align: right;">< 6.0 kJ</td></tr> <tr><td>E5</td><td></td><td style="text-align: right;">< 5.0 kJ</td></tr> <tr><td>E4</td><td></td><td style="text-align: right;">< 4.0 kJ</td></tr> <tr><td>E3</td><td></td><td style="text-align: right;">< 3.0 kJ</td></tr> <tr><td>E2</td><td></td><td style="text-align: right;">< 2.0 kJ</td></tr> <tr><td>E1</td><td></td><td style="text-align: right;">< 1.0 kJ</td></tr> <tr><td>E0,5</td><td></td><td style="text-align: right;">< 0.5 kJ</td></tr> </table>	E11		< 11 kJ	E10		< 10 kJ	E9		< 9.0 kJ	E8		< 8.0 kJ	E7		< 7.0 kJ	E6		< 6.0 kJ	E5		< 5.0 kJ	E4		< 4.0 kJ	E3		< 3.0 kJ	E2		< 2.0 kJ	E1		< 1.0 kJ	E0,5		< 0.5 kJ	
E11		< 11 kJ																																			
E10		< 10 kJ																																			
E9		< 9.0 kJ																																			
E8		< 8.0 kJ																																			
E7		< 7.0 kJ																																			
E6		< 6.0 kJ																																			
E5		< 5.0 kJ																																			
E4		< 4.0 kJ																																			
E3		< 3.0 kJ																																			
E2		< 2.0 kJ																																			
E1		< 1.0 kJ																																			
E0,5		< 0.5 kJ																																			
IMPACT RESULTS Deflection: At maximum impact energy <div style="display: flex; align-items: center; margin-top: 5px;">  $\alpha = 15.7^\circ$ $D = 213 \text{ mm} / 8 \text{ 3/8 inch}$ </div>	SUCCESS CRITERIA VEHICLE STOPPED ASI (ACCELERATION SEVERITY INDEX) <0.5																																				
TEST CONDITIONS TEMPERATURE: 20°C / 68°F IMPACT HEIGHT: 450 mm / 17 5/8 Inch → D: 213 mm / 8 3/8 Inch → $\alpha: 15.7^\circ$ TEST FLOOR: CONCRETE SLAB C25/30 - 150 mm / 6 inch	BOPLAN TEST CENTRE Muizelstraat 12 8560 Moorsele Belgium 																																				
TEST VEHICLE: TYPE: BOPLAN IMPACT TEST VEHICLE WEIGHT: 3775 Kg / 8322.45 lbs SIZE (L x W x h): 3100 x 1100 x 1150 mm / 122 x 43 1/4 x 45 1/4 Inch CONTACT AREA, STEEL BUMPER WIDTH: 1000 mm / 39 1/4 Inch	IL-B0125LEV-20240131																																				



REFERENCE LIST - B0125L EV

	ZINC COATED (ZC) Non - countersunk	
	BLACK	MULTICOLOUR <input type="checkbox"/> <input checked="" type="checkbox"/>
1000 mm	B0125L0-1000-01EVBL	B0125L0-1000-01EVMC
750 mm	B0125L0-0750-01EVBL	B0125L0-0750-01EVMC

STRIPES			
	Black	White	Yellow
1 STRIPE	PA0300-0125-0001BL	PA0300-0125-0001WH	PA0300-0125-0001YE
			

* Remark: Stripes cannot be ordered separately

CABLE HOOK	
CH0128-0048-A2BL	Cable Hook 128x48mm - A2 - BL (incl fixations) 