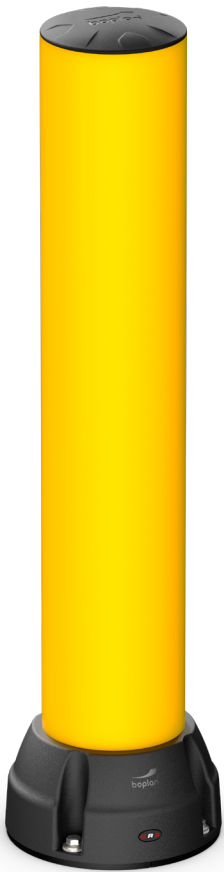


# BO200R

## BOLLARDS AND HEIGHT RESTRICTORS

Revision: 8 January 2026 2:34 PM

Boplan reference: BO200R...



Base Defender with Impact Button

### PRODUCT SPECIFICATIONS

APPLICATION		
Environment	The BO200R, designed for areas prone to frequent impact risks like gates, access ways, corners, and machinery, ensures robust protection against collisions. Whether used as a free-standing bollard or combined with other Boplan products, like our traffic barrier systems, it showcases versatility in protective applications. With a 200mm tube diameter and a solid large base, it efficiently absorbs collision forces and keeps pallets at a certain distance from the bollard to protect hands and prevent injury. Suitable for both indoor and outdoor environments.	
Impact performance	10 200 Joule (Eq. to 3,8 ton - 8,3 km/h) - Following UNI 11886-1	
MATERIAL		
Tube	Extrilene® - UV resistant - Fire class E <sup>s</sup> - Non conductive - Impervious to most chemicals**	
Cap	Sustainable elastomer	
Base Defender	Sustainable elastomer	
Base Shield	Sustainable elastomer	
COLOURS		
Bollard	Standard: Yellow RAL 1003 Also available in Black RAL 9005, Grey RAL 7042 and Red RAL 3020 (multicolour)	
Base Defender	Standard: Black RAL 9005	
OPTIONAL		
Base Shield	The optional Shield ensures additional protection to crucial internal components by deflecting ground level impacts. It will also increase display presence and hygiene by covering over the fixations.	
Sign Mark 200	Sign board used to display important messages. It is designed for a perfect fit and signs can easily be replaced with just a click.	
Sleeve	Polymer sleeve that can be slid over the bollard.	
Stripes	Coloured reflective stripes providing a high level of visibility.	
BASEPLATES		
	Zinc Coated Steel	Stainless steel
Material	Steel 37	Stainless steel 304
Coating	Electroplated + Lacquered	No lacquer / No coating
Colour	Mat black	Natural colour

\*Classification according to EN 13501-1:2007 +A1:2009 - Fire classification of construction products and building elements.

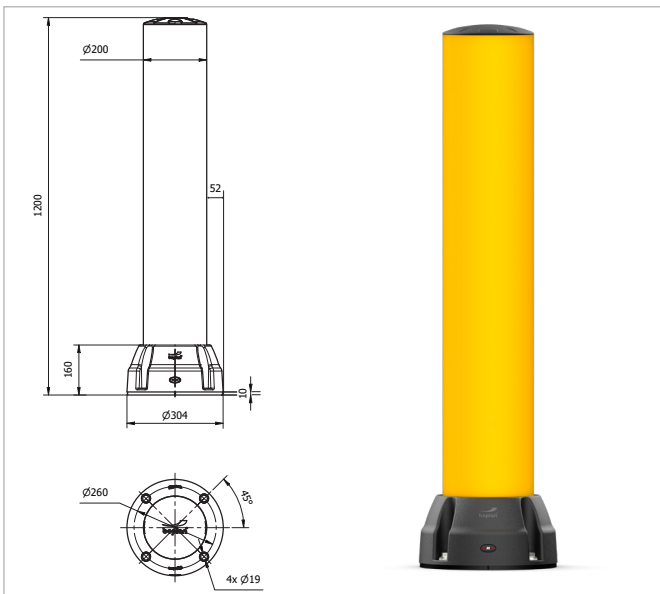
\*\*Ask your local sales office for resistance to specific chemicals.

FIXATIONS			ZC (Zinc coated)	SS (Stainless steel)
STANDARD	Concrete screw		Ø17mm x 130mm	Not available
ALTERNATIVE	Wedge anchor		Ø18mm (M12) x 130mm	Ø18mm (M12) x 130mm
	Asphalt anchor		Bolt M16 x 50mm + Screw Ø22 x 100mm	Not available

The anchors specified in this document are metric. Imperial anchors are available on demand.

**FEATURES AND FUNCTIONALITY - B0200R**

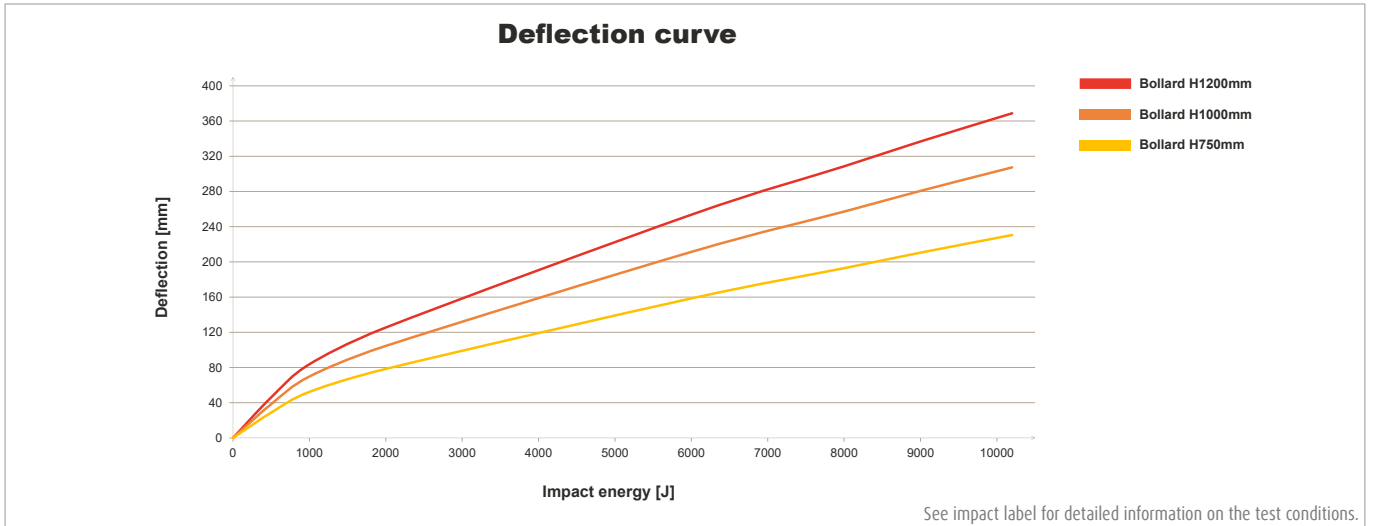
SIZE	
Height	450 mm 600 mm 750 mm 1000 mm 1200 mm 1201 - 1525 mm 1600 - 2000 mm 2100 - 2500 mm
Profile section post	Tube: Ø200 mm
Baseplate	Ø300 mm (10 mm thick)
Base Defender	Top: Ø200 mm Base: Ø304 mm Height: 150 mm
Base Shield (optional)	Top: Ø200 mm Base: Ø325 mm Height: 175 mm
Profile section rails (if used)	Rail 88 mm x 88 mm (7.5 mm thick)
	Rail 50 mm x 70 mm (6.0 mm thick)



REQUIREMENTS	
Concrete quality	minimum C25/30
Concrete floor plate thickness (mm)	minimum 150 mm
Concrete slab dimension around posts (mm)	700 (h) x 700 (w) x 600 (d)
Operational temperature	-10°C up to +40°C
Water and humidity	<b>Zinc coated:</b> Indoor and outdoor use in most environments.* <b>Stainless steel:</b> outdoor use or frequent exposure to water and humidity.

boplan IMPACT LABEL SAFETY GATES		BOLLARD 200R	
<b>BOPLAN IMPACT CATEGORY</b>	<b>RATING</b>	<b>90°</b>	<b>UNI 11886-1</b>
<b>X</b>	50 kJ		<b>ENERGY CLASS</b>
<b>T</b>	40 kJ		<b>4</b>
<b>F</b>	30 kJ		<b>OPERATIONAL FOOTPRINT</b>
<b>R</b>	25 kJ		<b>W600</b>
<b>B</b>	20 kJ		<b>ASI CLASS</b>
<b>L</b>	17 kJ		<b>a</b>
	15 kJ		
	12 kJ		
	10 kJ		
	7.5 kJ		
	5.0 kJ		
	2.5 kJ		
	0.5 kJ		
		<b>*Dynamic impact result: 10 200 Joule</b>	
<b>IMPACT TEST RESULTS AT 90°</b>			
PRODUCT: B0200R0-1200-0001YEZ			
Deflection (D)		α = 17,9°	
At maximum impact energy		D= 36,8 mm / 25.1 inch	
<b>TEST CONDITIONS FOLLOWING UNI 11886-1 AND PAS13: 2017</b>		<b>BOPLAN TEST CENTRE</b>	
TEMPERATURE: 20°C / 68°F		Muizelstraat 12	
IMPACT MIDDLE OF POST		8560 Moorsele	
IMPACT HEIGHT: 300 mm / 47.2 Inch -> D: 368.8 mm / 25.1 Inch -> α: 17.9°		Belgium	
TEST FLOOR: CONCRETE SLAB C25/30 - 150 mm / 6 inch			
<b>TEST VEHICLE:</b>		Approved by:	
TYPE: BOPLAN IMPACT TEST VEHICLE		<b>TÜV NORD Systems</b>	
WEIGHT: 3775 Kg / 8322.45 lbs			
SIZE (L x W x h): 3100 x 1100 x 1150 mm / 122 x 43.3 x 45.3 Inch			
CONTACT AREA, STEEL BUMPER WIDTH: 1000 mm / 39.4 Inch			
<b>* IMPACT VALUE ACCOUNTING FOR BARRIER DEFORMATION DURING IMPACT</b>		<b>IL-B0200R-20250404</b>	

**FEATURES AND FUNCTIONALITY - B0200R**





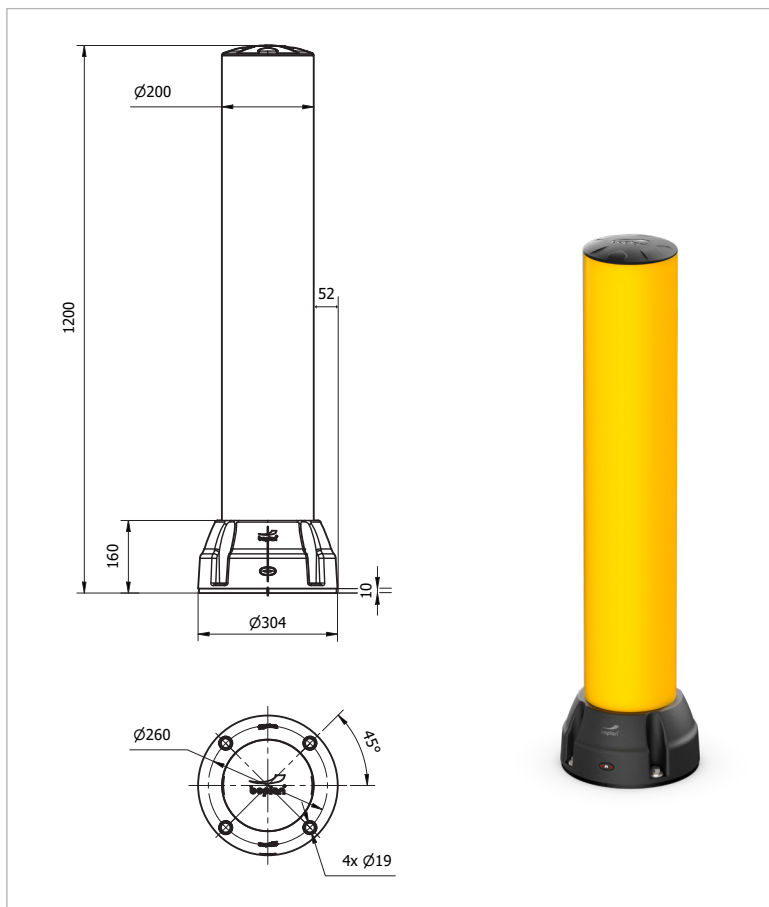
**100 <<< SPECSHEET**

**Boplan BV Headquarter** | Muizelstraat 12, 8560 Moorsele, Belgium | +32 56 20 64 20 | sales@boplan.com | www.boplan.com

DISCLAIMER: ALL PRODUCT SPECIFICATIONS AND DATA ARE SUBJECT TO CHANGE WITHOUT NOTICE TO IMPROVE RELIABILITY, FUNCTION OR DESIGN OR OTHERWISE.  
 © Boplan, the Boplan logo, Flex Impact, Extrilene, Rexilene, Ice Flex, Teddy Pro and RackBull are trademarks of Boplan BV. All other trademarks are property of their respective owners.

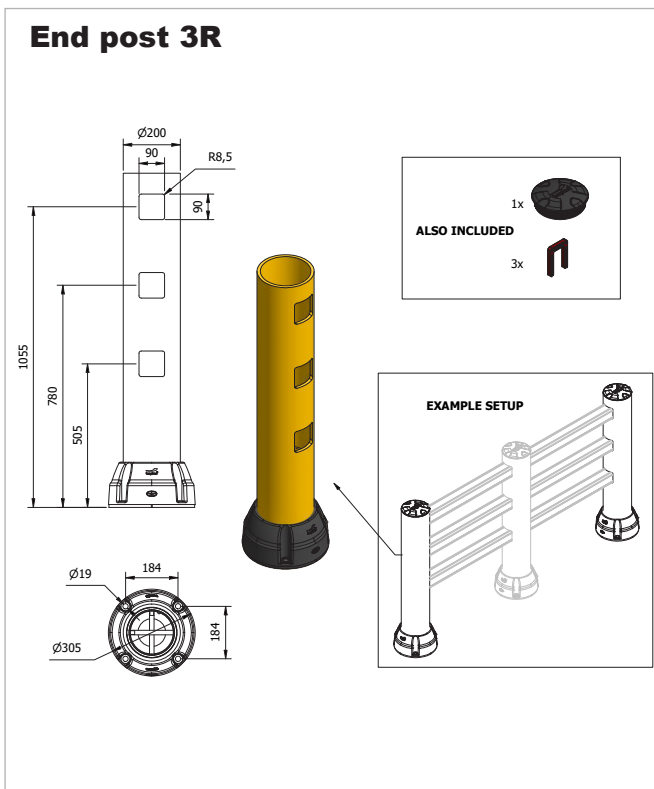
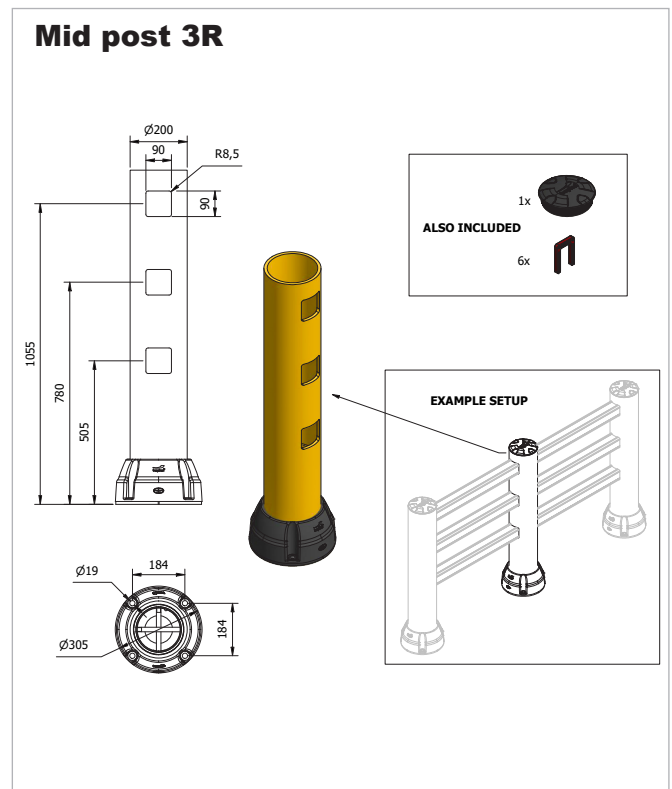
**REFERENCE LIST - B0200R**

	ZINC COATED (ZC)		STAINLESS STEEL (SS)	
	YELLOW	MULTICOLOUR 	YELLOW	MULTICOLOUR 
450 mm	<a href="#">B0200R0-0450-0001YEZ</a>	B0200R0-0450-0001MCZ	B0200R0-0450-0001YES	B0200R0-0450-0001MCS
600 mm	<a href="#">B0200R0-0600-0001YEZ</a>	B0200R0-0600-0001MCZ	B0200R0-0600-0001YES	B0200R0-0600-0001MCS
750 mm	<a href="#">B0200R0-0750-0001YEZ</a>	B0200R0-0750-0001MCZ	B0200R0-0750-0001YES	B0200R0-0750-0001MCS
1000 mm	<a href="#">B0200R0-1000-0001YEZ</a>	B0200R0-1000-0001MCZ	B0200R0-1000-0001YES	B0200R0-1000-0001MCS
1200 mm	<a href="#">B0200R0-1200-0001YEZ</a>	B0200R0-1200-0001MCZ	B0200R0-1200-0001YES	B0200R0-1200-0001MCS
1201 - 1525 mm	<a href="#">B0200R1-1525-0001YEZ</a>	B0200R1-1525-0001MCZ	B0200R1-1525-0001YES	B0200R1-1525-0001MCS
1600 - 2000 mm	<a href="#">B0200R1-2000-0001YEZ</a>	B0200R1-2000-0001MCZ	B0200R1-2000-0001YES	B0200R1-2000-0001MCS
2100 - 2500 mm	<a href="#">B0200R1-2500-0001YEZ</a>	B0200R1-2500-0001MCZ	B0200R1-2500-0001YES	B0200R1-2500-0001MCS



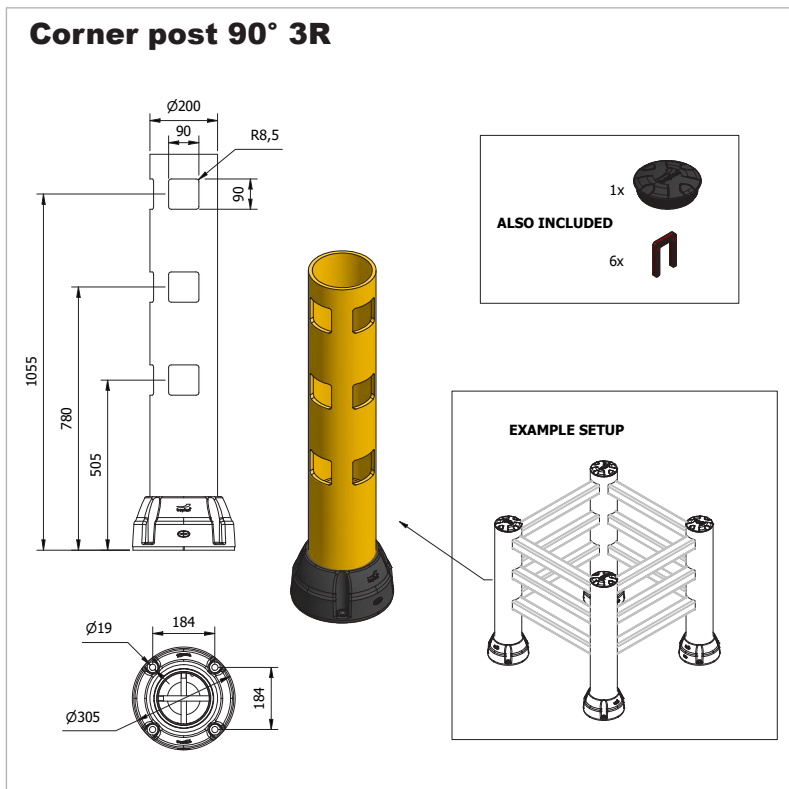
**REFERENCE LIST BO200R**
**BOLLARD END POSTS - with rails 88**

	ENDPOST (EP)	MIDPOST (MP)	
	ZINC COATED (ZC)	ZINC COATED (ZC)	
	YELLOW	YELLOW	
2R	1200 mm	BO200R0-1200-E208YEZ	BO200R0-1200-M208YEZ
	1201 - 1525 mm	BO200R1-1525-E208YEZ	BO200R1-1525-M208YEZ
3R	1200 mm	BO200R0-1200-E308YEZ	BO200R0-1200-M308YEZ
	1201 - 1525 mm	BO200R1-1525-E308YEZ	BO200R1-1525-M308YEZ

**End post 3R**

**Mid post 3R**


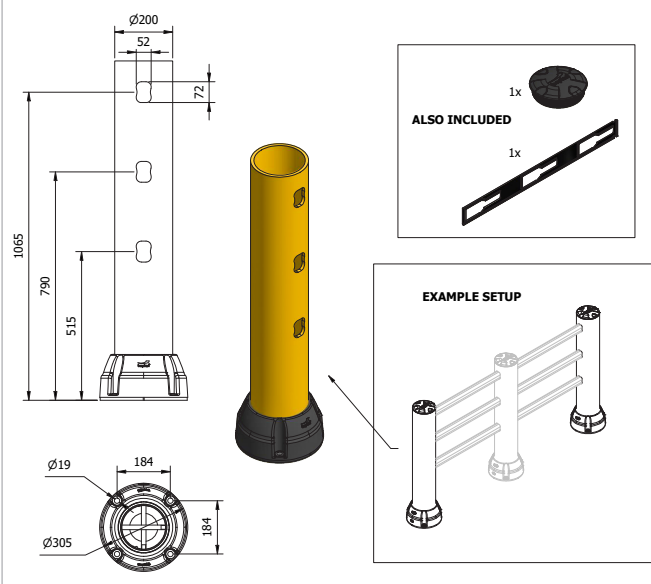
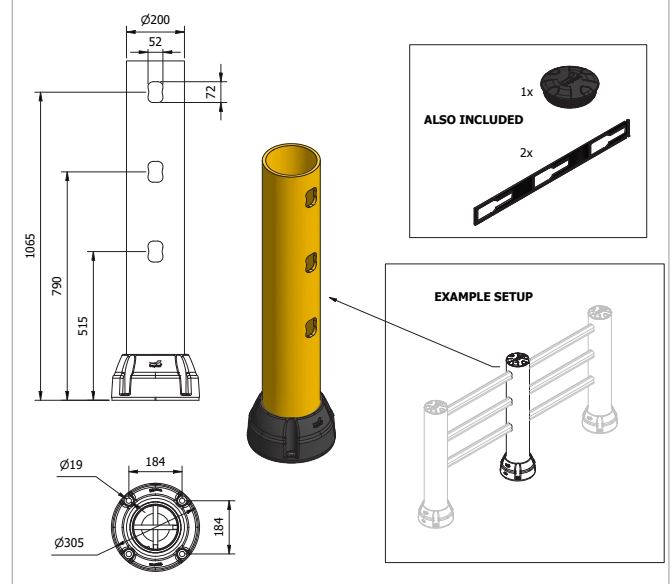
**REFERENCE LIST BO200R**
**BOLLARD CORNER POSTS (90/45°) - with rails 88**

	CORNER POST 90° (CP)	CORNER POST 45° (CP)	
	ZINC COATED (ZC)	ZINC COATED (ZC)	
	YELLOW	YELLOW	
2R	1200 mm	BO200R0-1200-C298YEZ	BO200R0-1200-C248YEZ
	1201 - 1525 mm	BO200R1-1525-C298YEZ	BO200R1-1525-C248YEZ
3R	1200 mm	BO200R0-1200-C398YEZ	BO200R0-1200-C348YEZ
	1201 - 1525 mm	BO200R1-1525-C398YEZ	BO200R1-1525-C348YEZ

**Corner post 90° 3R**


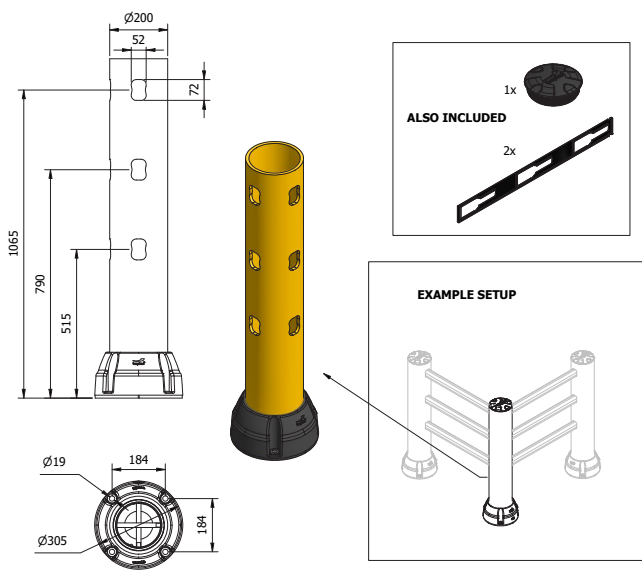
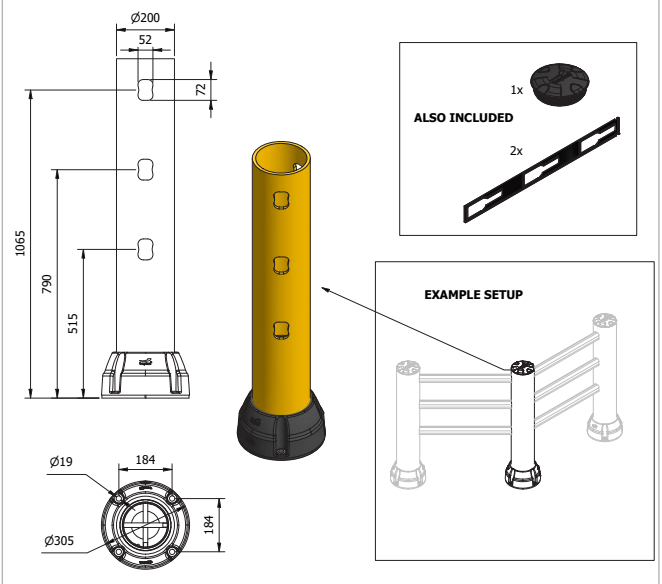
**REFERENCE LIST - BO200R**
**BOLLARD POSTS (EP/MP) - with handrails R50**

		ENDPOST (EP)		MIDPOST (MP)		
		ZINC COATED (ZC)	STAINLESS STEEL (SS)	ZINC COATED (ZC)	STAINLESS STEEL (SS)	
		YELLOW	YELLOW	YELLOW	YELLOW	
HP	2R	1200 mm	<a href="#">BO200R0-1200-E205HYZ</a>	BO200R0-1200-E205HYS	<a href="#">BO200R0-1200-M205HYZ</a>	BO200R0-1200-M205HYS
		1201 - 1525 mm	<a href="#">BO200R1-1525-E205HYZ</a>	BO200R1-1525-E205HYS	<a href="#">BO200R1-1525-M205HYZ</a>	BO200R1-1525-M205HYS
		1600 - 2000 mm	<a href="#">BO200R1-2000-E205HYZ</a>	BO200R1-2000-E205HYS	<a href="#">BO200R1-2000-M205HYZ</a>	BO200R1-2000-M205HYS
		2100 - 2500 mm	<a href="#">BO200R1-2500-E205HYZ</a>	BO200R1-2500-E205HYS	<a href="#">BO200R1-2500-M205HYZ</a>	BO200R1-2500-M205HYS
	3R	1200 mm	<a href="#">BO200R0-1200-E305YEZ</a>	BO200R0-1200-E305YES	<a href="#">BO200R0-1200-M305YEZ</a>	BO200R0-1200-M305YES
		1201 - 1525 mm	<a href="#">BO200R1-1525-E305YEZ</a>	BO200R1-1525-E305YES	<a href="#">BO200R1-1525-M305YEZ</a>	BO200R1-1525-M305YES
		1600 - 2000 mm	<a href="#">BO200R1-2000-E305YEZ</a>	BO200R1-2000-E305YES	<a href="#">BO200R1-2000-M305YEZ</a>	BO200R1-2000-M305YES
		2100 - 2500 mm	<a href="#">BO200R1-2500-E305YEZ</a>	BO200R1-2500-E305YES	<a href="#">BO200R1-2500-M305YEZ</a>	BO200R1-2500-M305YES
TB	2R	1200 mm	<a href="#">BO200R0-1200-E205TYZ</a>	BO200R0-1200-E205TYS	<a href="#">BO200R0-1200-M205TYZ</a>	BO200R0-1200-M205TYS
		1201 - 1525 mm	<a href="#">BO200R1-1525-E205TYZ</a>	BO200R1-1525-E205TYS	<a href="#">BO200R1-1525-M205TYZ</a>	BO200R1-1525-M205TYS
		1600 - 2000 mm	<a href="#">BO200R1-2000-E205TYZ</a>	BO200R1-2000-E205TYS	<a href="#">BO200R1-2000-M205TYZ</a>	BO200R1-2000-M205TYS
		2100 - 2500 mm	<a href="#">BO200R1-2500-E205TYZ</a>	BO200R1-2500-E205TYS	<a href="#">BO200R1-2500-M205TYZ</a>	BO200R1-2500-M205TYS

**End post 3R**

**Mid post 3R**


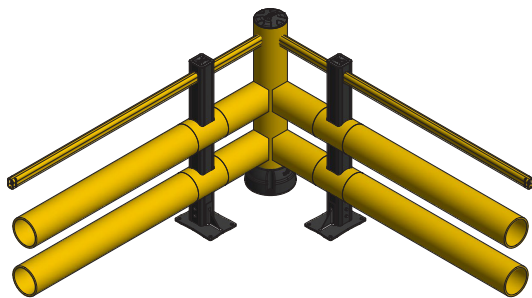
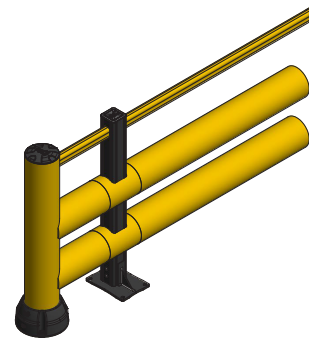
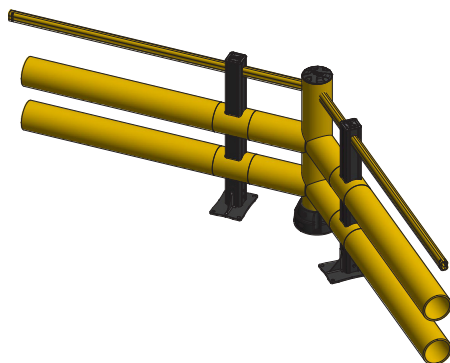
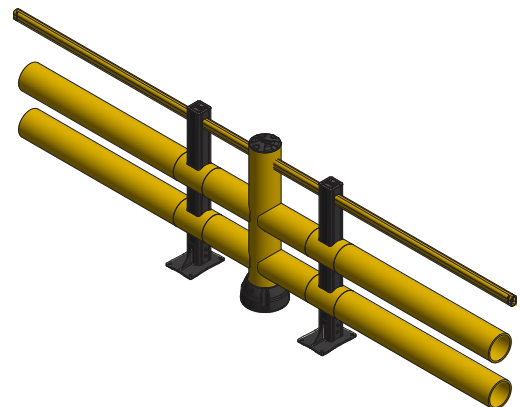
**REFERENCE LIST - BO200R**
**BOLLARD CORNER POSTS (90°/45°) - with handrails R50**

		CORNER POST 90° (EP)		CORNER POST 45° (EP)		
		ZINC COATED (ZC)	STAINLESS STEEL (SS)	ZINC COATED (ZC)	STAINLESS STEEL (SS)	
		YELLOW	YELLOW	YELLOW	YELLOW	
HP	2R	1200 mm	<a href="#">BO200R0-1200-C295HYZ</a>	BO200R0-1200-C295HYS	<a href="#">BO200R0-1200-C245HYZ</a>	BO200R0-1200-C245HYS
		1201 - 1525 mm	<a href="#">BO200R1-1525-C295HYZ</a>	BO200R1-1525-C295HYS	<a href="#">BO200R1-1525-C245HYZ</a>	BO200R1-1525-C245HYS
		1600 - 2000 mm	<a href="#">BO200R1-2000-C295HYZ</a>	BO200R1-2000-C295HYS	<a href="#">BO200R1-2000-C245HYZ</a>	BO200R1-2000-C245HYS
		2100 - 2500 mm	<a href="#">BO200R1-2500-C295HYZ</a>	BO200R1-2500-C295HYS	<a href="#">BO200R1-2500-C245HYZ</a>	BO200R1-2500-C245HYS
	3R	1200 mm	<a href="#">BO200R0-1200-C395YEZ</a>	BO200R0-1200-C395YES	<a href="#">BO200R0-1200-C345YEZ</a>	BO200R0-1200-C345YES
		1201 - 1525 mm	<a href="#">BO200R1-1525-C395YEZ</a>	BO200R1-1525-C395YES	<a href="#">BO200R1-1525-C345YEZ</a>	BO200R1-1525-C345YES
		1600 - 2000 mm	<a href="#">BO200R1-2000-C395YEZ</a>	BO200R1-2000-C395YES	<a href="#">BO200R1-2000-C345YEZ</a>	BO200R1-2000-C345YES
		2100 - 2500 mm	<a href="#">BO200R1-2500-C395YEZ</a>	BO200R1-2500-C395YES	<a href="#">BO200R1-2500-C345YEZ</a>	BO200R1-2500-C345YES
TB	2R	1200 mm	<a href="#">BO200R0-1200-C295TYZ</a>	BO200R0-1200-C295TYS	<a href="#">BO200R0-1200-C245TYZ</a>	BO200R0-1200-C245TYS
		1201 - 1525 mm	<a href="#">BO200R1-1525-C295TYZ</a>	BO200R1-1525-C295TYS	<a href="#">BO200R1-1525-C245TYZ</a>	BO200R1-1525-C245TYS
		1600 - 2000 mm	<a href="#">BO200R1-2000-C295TYZ</a>	BO200R1-2000-C295TYS	<a href="#">BO200R1-2000-C245TYZ</a>	BO200R1-2000-C245TYS
		2100 - 2500 mm	<a href="#">BO200R1-2500-C295TYZ</a>	BO200R1-2500-C295TYS	<a href="#">BO200R1-2500-C245TYZ</a>	BO200R1-2500-C245TYS

**Corner post 90° 3R**

**Corner post 45° 3R**


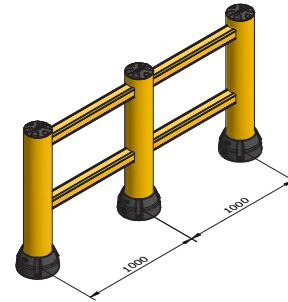
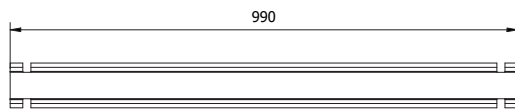
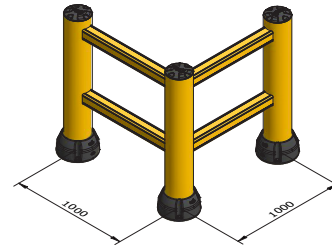
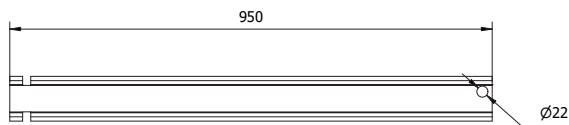
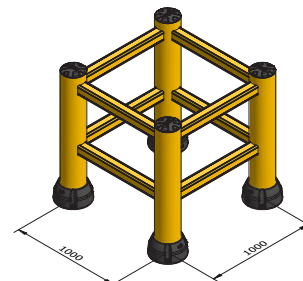
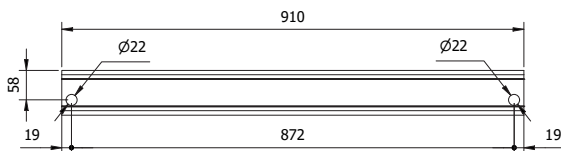
**REFERENCE LIST - B0200R**
**BOLLARD POSTS (Corner 90°-45°/EP/MP) - with handrails R50**

		CORNER POST 90° (EP)	CORNER POST 45° (EP)	END POST	MID POST
		ZINC COATED (ZC)			
		YELLOW			
DP	1200 mm	B0200R1-1525-C2195DYZ	B0200R0-1200-C145DYZ	B0200R0-1200-E105DYZ	B0200R1-2000-M105DYZ
	1201 - 1525 mm	B0200R0-1200-C195DYZ	B0200R1-1525-C145DYZ	B0200R1-2000-E105DYZ	B0200R0-1200-M105DYZ
	1600 - 2000 mm	B0200R1-2000-C195DYZ	B0200R1-2000-C145DYZ	B0200R1-1525-E105DYZ	B0200R1-2500-M105DYZ
	2100 - 2500 mm	B0200R1-2500-C195DYZ	B0200R1-2500-C145DYZ	B0200R1-2500-E105DYZ	B0200R1-1525-M205DYZ

**Corner post 90° 1R**

**End post 1R**

**Corner post 45° 1R**

**Mid post 1R**


**REFERENCE LIST - B0200R**
**BOLLARD RAILS (R88)**

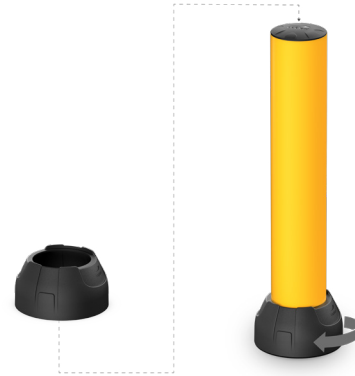
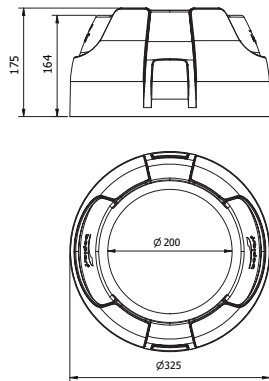
		Standard rail	Non - Standard rail	
		1000 mm	300-1200 mm	1201-1750 mm
2R (R88)	Rail - YE	BR1880-1000-S200YE	BR1881-1200-S200YE	BR1881-1750-S200YE
	Corner rail 90° - 1C - YE	BR1880-1000-S21CYE	BR1881-1200-S21CYE	BR1881-1750-S21CYE
	Corner rail 90° - 2C - YE	BR1880-1000-S22CYE	BR1881-1200-S22CYE	BR1881-1750-S22CYE
3R (R88)	Rail - YE	BR1880-1000-S300YE	BR1881-1200-S300YE	BR1881-1750-S300YE
	Corner rail 90° - 1C - YE	BR1880-1000-S31CYE	BR1881-1200-S31CYE	BR1881-1750-S31CYE
	Corner rail 90° - 2C - YE	BR1880-1000-S32CYE	BR1881-1200-S32CYE	BR1881-1750-S32CYE

**STANDARD RAIL**

**STANDARD CORNER RAIL 90° - 1 X CORNER**

**STANDARD CORNER RAIL 90° - 2 X CORNER**


**REFERENCE LIST - B0200R**
**Base Shield (OPTIONAL, NOT INCLUDED)**

Ø200 mm

BP2000-0175-0001BL



B0200R with optional Base Shield.

**Sleeve (OPTIONAL, NOT INCLUDED)**

Bollard

YELLOW

MULTICOLOUR ■

1200 mm

BS2250-1005-0001YE

BS2250-1005-0001MC

1000 mm

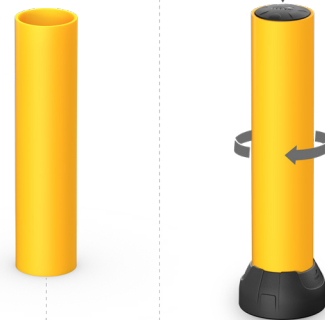
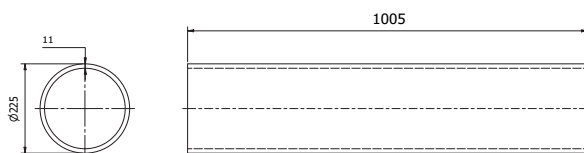
BS2250-0805-0001YE

BS2250-0805-0001MC

750 mm

BS2250-0555-0001YE

BS2250-0555-0001MC



B0200R with optional Sleeve and Base Shield.

**REFERENCE LIST - B0200R**

STRIPES *			
	Black	White	Yellow
1 STRIPE	PA0300-0200-0001BL	PA0300-0200-0001WH	PA0300-0200-0001YE
2 STRIPES	PA0300-0200-0002BL	PA0300-0200-0002WH	PA0300-0200-0002YE
3 STRIPES	PA0300-0200-0003BL	PA0300-0200-0003WH	PA0300-0200-0003YE
			

\* Remark: Stripes cannot be ordered separately

BOLLARD WITH STRIPES INCLUDED			
	Black	White	Yellow
1 STRIPE			
2 STRIPES			