



**READY
FOR
IMPACT**



COLUMN AND CORNER PROTECTION

**PROTECTION FOR LOAD-BEARING
PILLARS AND COLUMNS**

KP PROTECTOR



COLUMN PROTECTION FOR LOAD-BEARING POSTS AND COLUMNS

The FLEX IMPACT® **KP PROTECTOR** is a round column protector designed to safeguard load-bearing pillars and columns in various industrial settings. This protector is made up of two parts and requires no tools for installation. It fits snugly around the column, offering neat, adaptable, and highly visible protection.



The KP PROTECTOR is made from flexible, durable polyethylene, offering a protective layer around vulnerable columns. These protectors absorb collision impacts, protecting both the vehicle and structural elements. Air channels inside the KP PROTECTOR release air at a controlled rate during collisions, maintaining impact resistance and reducing damage.

By lessening impact force, the KP PROTECTOR effectively reduces the risk of structural damage to columns, preserving the integrity of industrial buildings. These protectors come in multiple diameters and sizes.

KP 600

H 43 in



KP 500

H 43 in



KP 400

H 43 in



KP 300

H 43 in



KP 200

H 43 in



KP 150

H 43 in



KP 100

H 43 in



2.2 kJ

KP 300

H 20 in



KP 200

H 20 in



Suitable for temperatures as low as -22°F



FEATURES AND BENEFITS

FAST INSTALLATION
WITH VELCRO® STRIPS

RESISTANT TO
CHEMICALS
AND UV RAYS

AIR CHANNELS
FOR CONTROLLED
IMPACT DISSIPATION

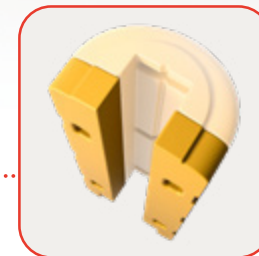
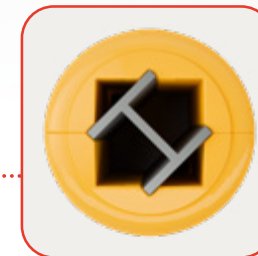
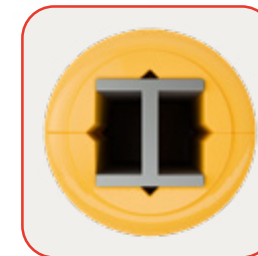
LOW MAINTENANCE

STACKABLE DESIGN

CRAFTED FROM
100% RECYCLABLE
POLYETHYLENE

WATERPROOF

BOTH SECTIONS
CAN BE FASTENED
WITH SCREWS



FITS A RANGE OF
PILLAR AND COLUMN
SHAPES AND SIZES

TYPICAL ENVIRONMENTS

Designed to protect pillars, posts, and columns in:

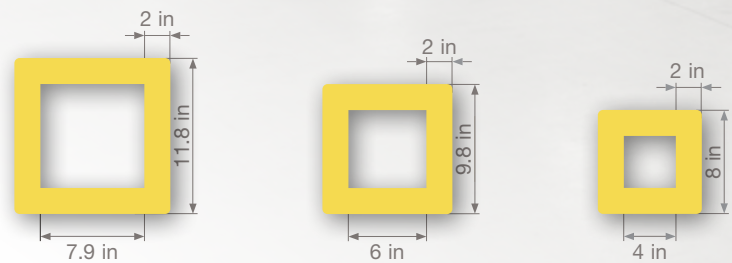
- Warehouses and storage facilities
- Distribution centers
- Transport & logistics centers
- Logistics, supply chain, and material handling industries
- Parking facilities



ENHANCED VISIBILITY

The KP PROTECTOR comes in a distinctive RAL 1003 yellow (signal yellow), ensuring high visibility in any setting. KP PROTECTORS with a height of 20 inches are also available in red, ideal for use around columns or posts with a fire extinguisher or hose reel. This enhances protection and visibility.





PROTECTION OF INFRASTRUCTURE FROM PALLET TRUCKS

The FLEX IMPACT® **CP CORNER PROTECTOR** offers impact-resistant corner protection for walls, partitions, small posts, and machinery in your business, garage, warehouse, or shop. The CP CORNER PROTECTOR is part of the flexible and durable FLEX IMPACT® range, available in both yellow and black. Lightweight and easy to install, the CP CORNER PROTECTOR ensures protection of the most vulnerable ends and corners of your walls and partitions.

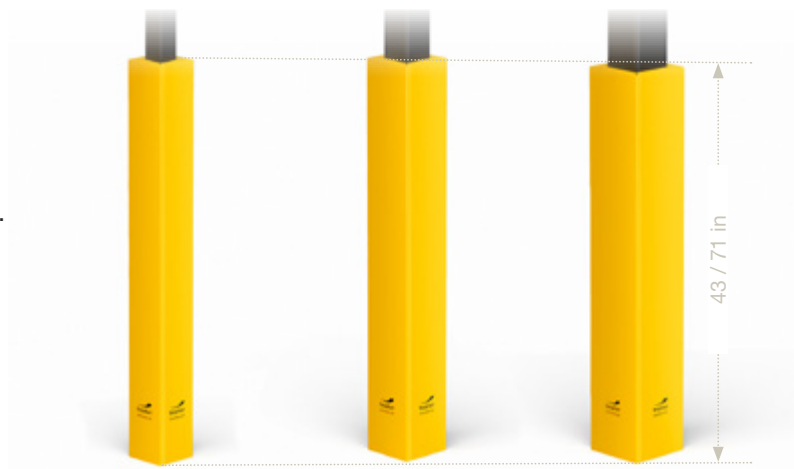


CP CORNER PROTECTOR 500 J

PROTECTION OF INFRASTRUCTURE AND PEOPLE AGAINST MINOR COLLISIONS

The FLEX IMPACT® **SOFT COLUMN COVER** uses 2 inches of impact-absorbing foam to shield columns from impacts with small mobile equipment and protect people from sharp metal posts.

A height of 71 inches with a distinctive yellow color, ensures SOFT COLUMN COVER with optimal visibility. Installation is fast and simple with Velcro straps. Their durable, water- and UV-resistant PVC cover is easy to clean. Additionally, it is available in 3 sizes for an ideal fit.



SOFT COLUMN COVERS

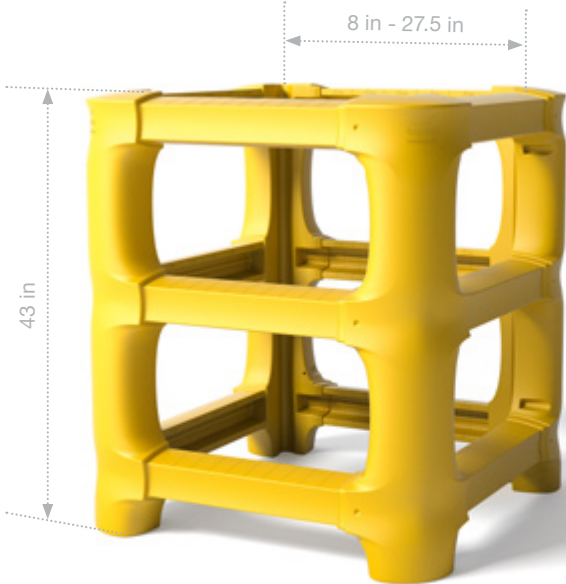
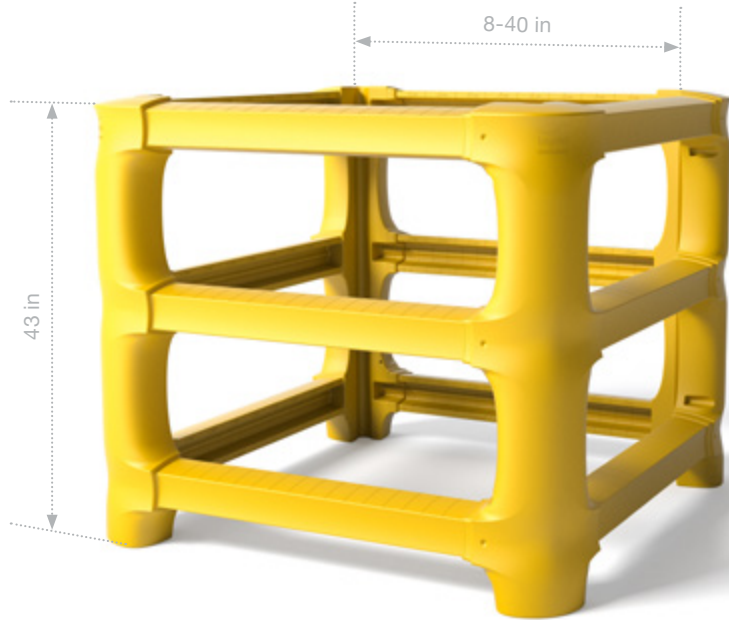




FLEX IMPACT® COLUMN AND CORNER PROTECTION

ONE-SIZE-FITS-ALL COLUMN PROTECTION

The FLEX IMPACT® CP UNIVERSAL, featuring a modular, fence-like structure, protects masts, load-bearing pillars, and large columns from collisions. Thanks to its modular, standardized design, it fits columns of any size. Horizontal bars can be trimmed to fit the column.



CP UNIVERSAL belongs to the FLEX-IMPACT® series and, like other products in this line, is highly impact-resistant. With a high absorption capacity, this column protection withstands the force of a collision. These durable, low-maintenance polymer column protections come in bright signal yellow. After impact, the CP UNIVERSAL column protection retains its shape, appearance, and properties.

CP UNIVERSAL

CP UNIVERSAL
2.20 kJ



BOPLAN HEADQUARTERS

Muizelstraat 12
8560 Moorsele, Belgium
+32 56 20 64 20
info@boplan.com

BOPLAN USA

4350 W. White Road, St 300
Flowery Branch, GA 30542
+1 678-890-5906
info@boplan.us

BOPLAN UK

Science Centre, Wolverhampton Science Park
Glaisher Drive, Wolverhampton WV10 9RU
+44 1902 82 4280
info@boplan.co.uk

BOPLAN DEUTSCHLAND

IHP-Nord · Babenhäuser Str. 50
63762 Großostheim
+49 6026 999 51 90
info@boplan.de

BOPLAN FRANCE

617, Avenue de Bayonne
64210 Bidart
+33 (0)5 35 45 75 35
info@boplan.fr

BOPLAN ESPAÑA

Carrer d'Aragó 208, 2o 6a
08002 Barcelona
+34 936 81 66 88
info@boplan.es

BOPLAN NEDERLAND

Toermalijnring 100
3316 LC Dordrecht
+31 85 13 07 500
info@boplan.nl

BOPLAN POLSKA

Ul. Graniczna 34B / U16
41-300 Dąbrowa Górnicza
+48 32 224 74 85
info@boplan.pl

BOPLAN ITALIA

Via Privata Maria Teresa 7
20123 Milano
+39 02 81287168
info@boplan.it

BOPLAN JAPAN

4F Matsuoka II Building,
1-2-11 Nijyooji Minami
Nara City, Nara 630-8012
+81 (0)742-93-8705
info@boplan.co.jp

FOLLOW US



BOPLAN.COM

For more information about our products,
services, and worldwide network

