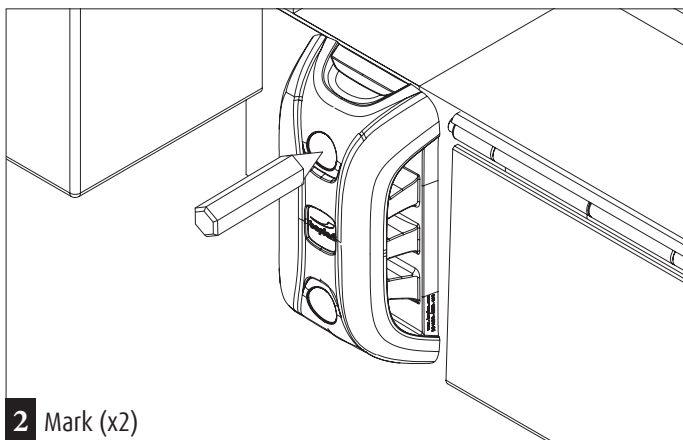
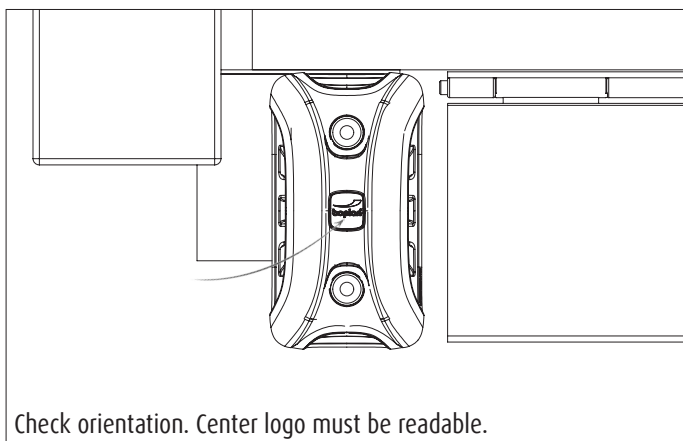
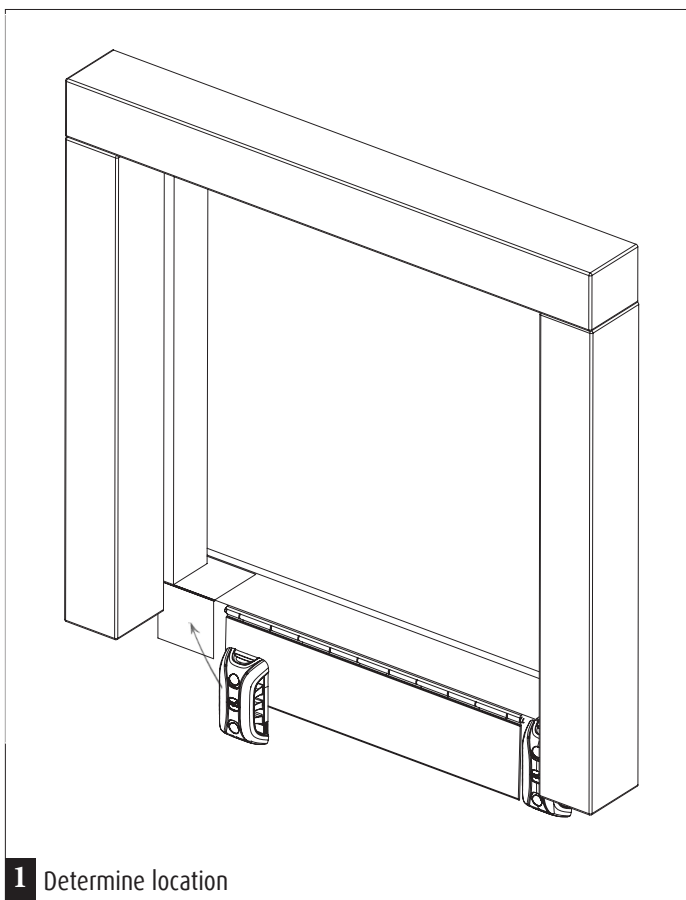
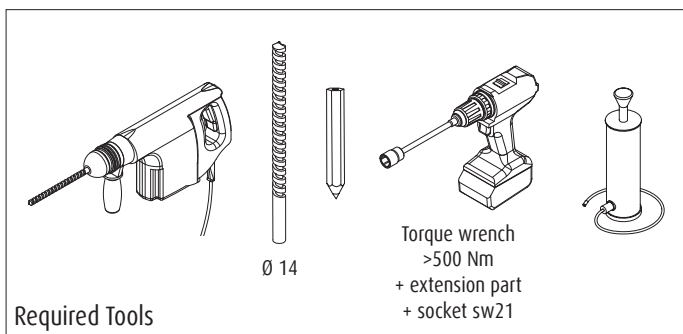
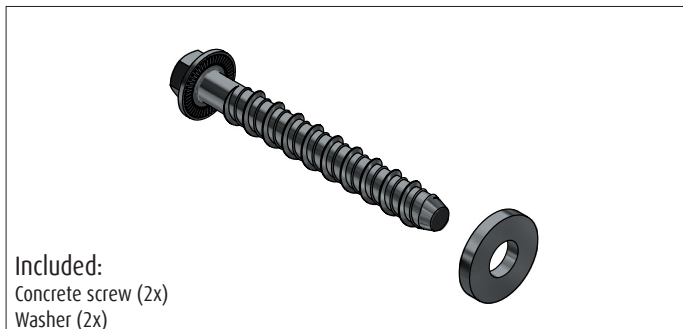
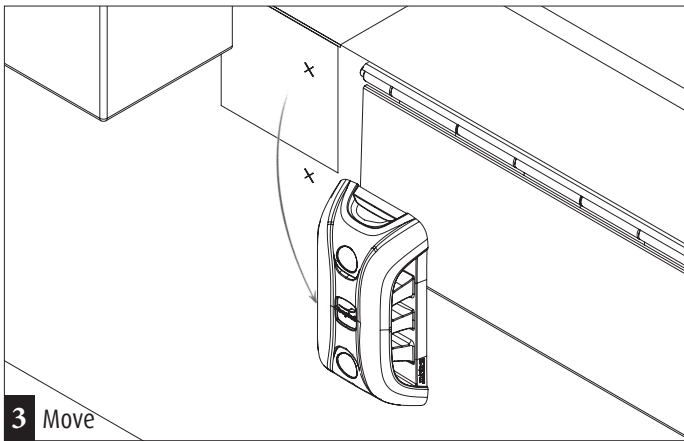


DOCK BUMPER

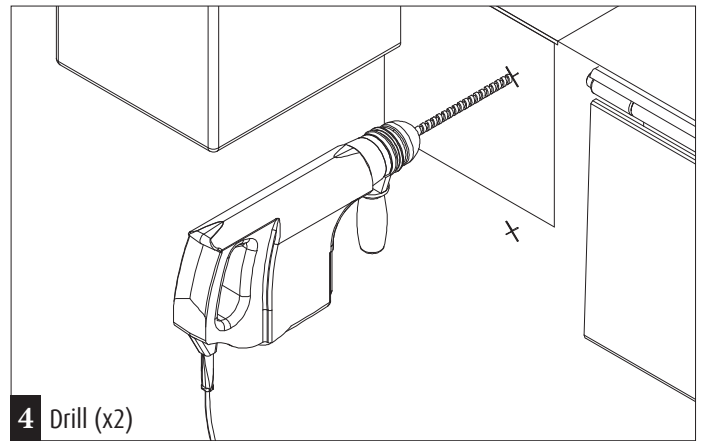
INSTALLATION SHEET

Reference: DB1450-200-100BL

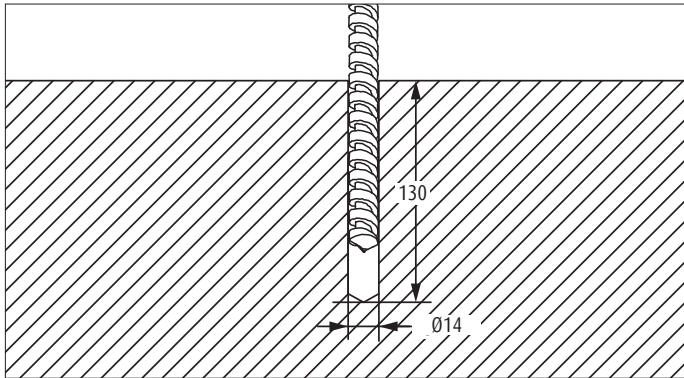




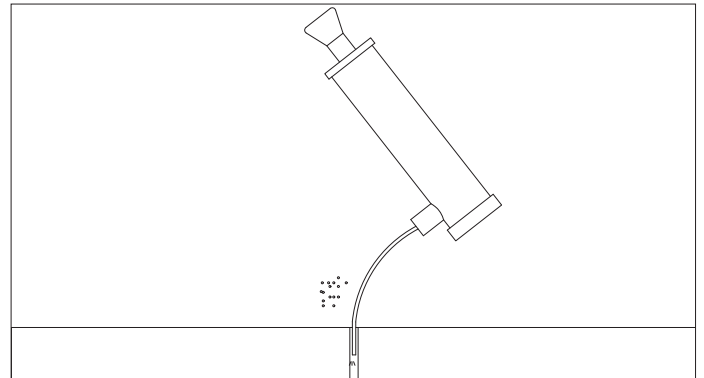
3 Move



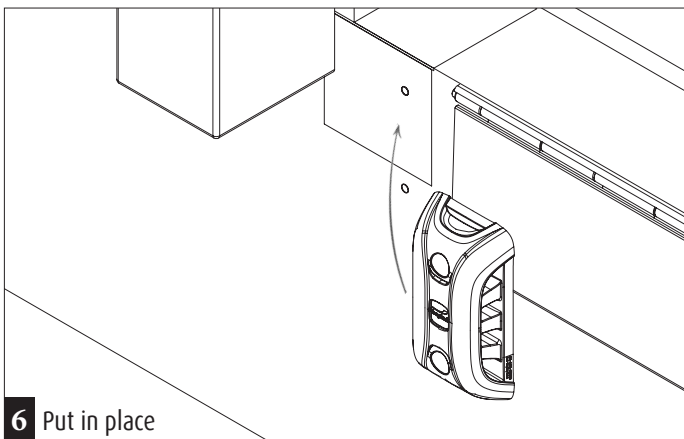
4 Drill (x2)



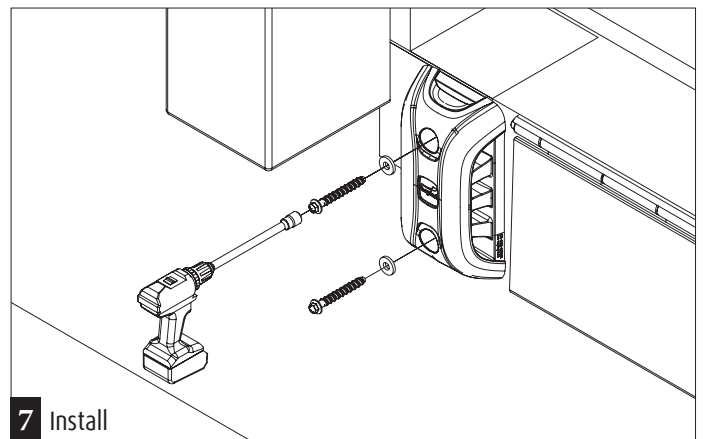
Drill Detail (Ø14 x 130 mm)



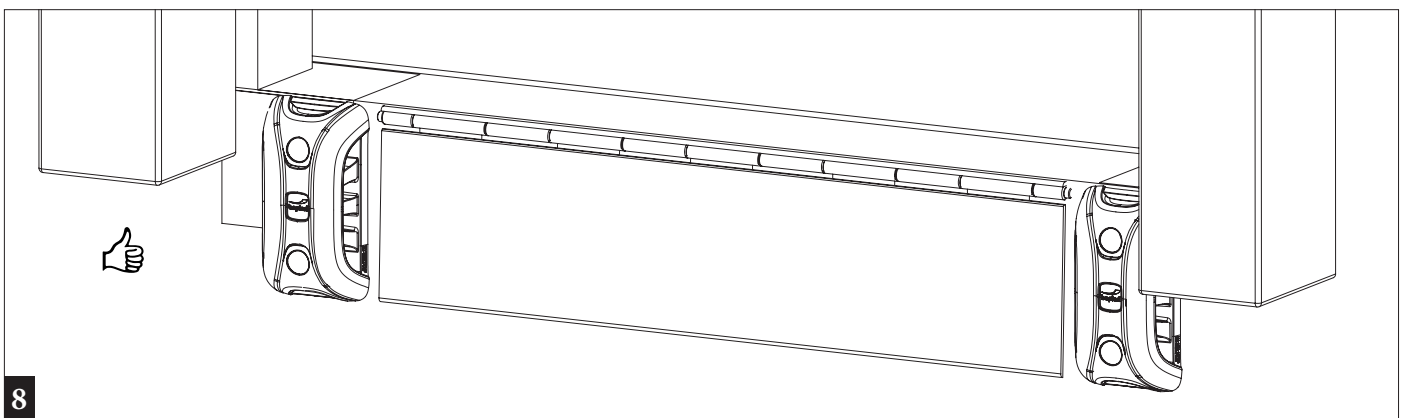
5 Remove dust from hole (x2)



6 Put in place



7 Install



8