

TB 400 PLUS FENCE

SAFETY BARRIERS

Revision: 29 January 2026 9:33 AM
Boplan reference: TF4000...

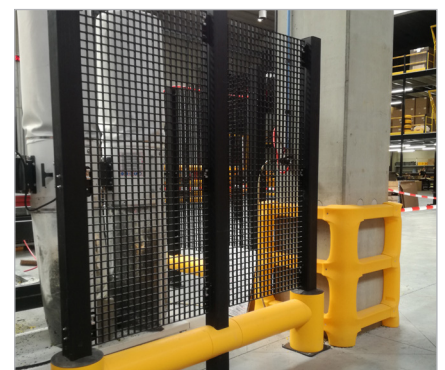


PRODUCT SPECIFICATIONS

APPLICATION	
Environment	The TB400 Plus Fence provides an effective crash protection with machine guard fencing.
Compliance	The narrow mesh size allows a close safety distance of 200mm towards the danger. (According machine directive 2006/42/EC)
Impact performance at 90°	POST: 16100 Joule (Eq. to 5ton - 9.1 km/h)
	RAIL: 20100 Joule (Eq. to 5ton - 10.2 km/h)
MATERIAL	
Posts	Extrilene® - UV resistant - Fire class E ⁺ - Non conductive - Impervious to most chemicals ^{**}
Mesh	Glass fiber reinforced composite
Caps	Sustainable elastomer
STANDARD COLOURS	
End post / Mid post	Yellow RAL 1003
Impact tube	Yellow RAL 1003
Mesh	Black RAL 9005
BASEPLATES	
	Steel
Material	Steel 37
Coating	Lacquered
Colour	High gloss black

^{*}Classification according to EN 13501-1:2007 +A1:2009 - Fire classification of construction products and building elements.
^{**}Ask your local sales office for resistance to specific chemicals.

		FIXATIONS	
		ZC (Zinc coated)	SS (Stainless steel)
STANDARD	Wedge anchor	 M12 x 120mm	Not available
	Anchor rod (Chemical)	 M12 x 120mm + Chemical resin	Not available
ALTERNATIVES	Concrete screw	 Ø12mm x 100mm	Not available
	Spit anchor	 Bolt M12 x 100mm + Plug Ø20mm	Not available



FEATURES AND FUNCTIONALITY - TB 400 PLUS FENCE

SIZE	
Height end posts	2300 mm
Height mid post	2300 mm
Profile section tubes	Ø200 mm (11 mm thick)
Mesh	1220 mm x 1800 mm (13mm thick) Mesh inner dimension 33 mm x 33 mm
Profile section end posts	Outer tube: Ø250 mm (11 mm thick) Inner profile: 112 mm x 112 mm (10 mm thick)
Profile section mid posts	Profile: 112 mm x 112 mm (10 mm thick)
Standard rail length	1350 mm (center - center dimension) Other sizes: 850 mm - 1349 mm (center - center dimension)
Baseplate	End Post: 275 mm x 275 mm x (10 mm thick) Mid Post: 180 mm x 180 mm x (10 mm thick)

REQUIREMENTS	
Concrete quality	minimum C25/30
Concrete floor plate thickness (mm)	minimum 150 mm
Concrete slab dimension around posts (mm)	600 (h) x 600 (w) x 300 (d)
Operational temperature	-10°C up to +40°C
Water and humidity	Steel (standard): dry indoor use only.

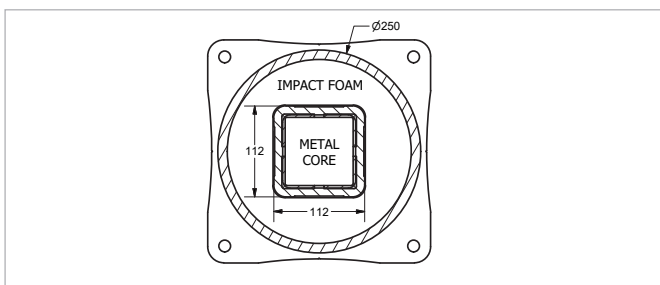
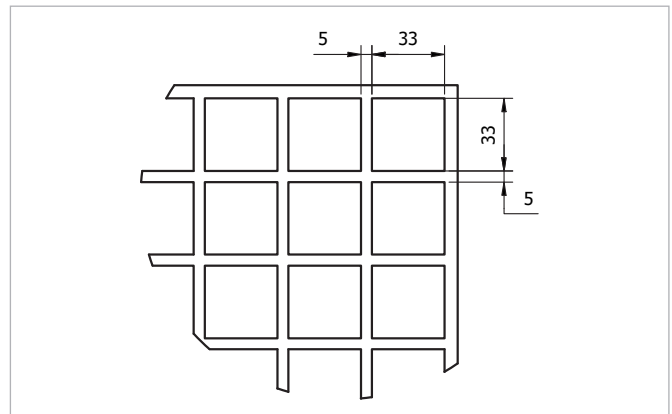
COMPLIANCE MESH	
Machine directive	The narrow mesh size allows a close safety distance of 200mm towards the danger. (According machine directive 2006/42/EC)
Static point load of mesh	Static point load of 450 N gives a maximum deflection of 15.7 mm.

boplan **IMPACT LABEL FOR SAFETY BARRIERS**

BOPLAN TB 400 PLUS FENCE		
IMPACT RATING	45°	90°
E80 > 80 kJ		
E60 > 60 kJ		
E50 > 50 kJ		
E40 > 40 kJ		
E35 > 35 kJ		
E30 > 30 kJ	28,4 kJ	
E25 > 25 kJ		20,1 kJ
E20 > 20 kJ		
E15 > 15 kJ		
E10 > 10 kJ		
E5 > 5,0 kJ		
E2 > 2,5 kJ		


TEST CONDITIONS	TEST VEHICLE	ACCREDITED TEST LABORATORY
TEMPERATURE: 20°C / 68°F IMPACT HEIGHT: 300 mm / 11 3/4 Inch IMPACT ANGLE: 90° TEST FLOOR: CONCRETE SLAB C25/30 - 160 mm / 6 Inch MANUFACTURER ANCHOR PULL OUT: 7,9 kN	WEIGHT: 2300 KG / 5070.63 lbs TYPE: COMMERCIAL FORK LIFT SIZE (L x W x H): 1890x1020x1970 mm / 74x40x78 Inch CONTACT AREA: STEEL BUMPER WIDTH: 600 mm / 24 Inch	620 Route des Fromentaux 01500 Saint-Maurice-de-Rémens 01360 Bèlignieux France

SUCCESS CRITERIA VEHICLE STOPPED - ASI (ACCELERATION SEVERITY INDEX) < 0.5 **IL-TF400-20230920**



REFERENCE LIST - TB 400 PLUS FENCE

POSTS		
End post - YE	TF4000-0001-EPYE	
End Corner post - YE - 90° - Up	TF4000-0001-CPUYE	
End Corner post - YE - 90° - Down	TF4000-0001-CPDYE	
Mid post - YE	TF4000-0001-MPYE	

CURVES		
Conn.tube Ø250mm - 90° Curve 350mm - YE	TF4000-0350-C259YE	

RAIL SETS			
	Tube length (A)	CC length (B)	REFERENCE
Standard rail	650 mm	900 mm	TF4000-0650-0900YE
Standard rail	800 mm	1050 mm	TF4000-0800-1050YE
Standard rail	950 mm	1200 mm	TF4000-0950-1200YE
Standard rail	1100 mm	1350 mm	TF4000-1100-1350YE

