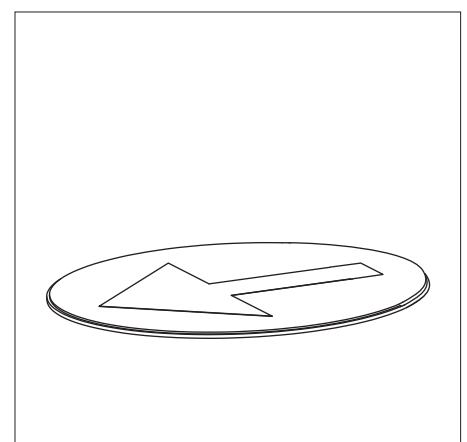
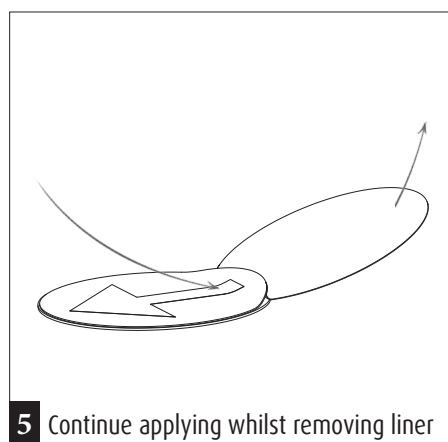
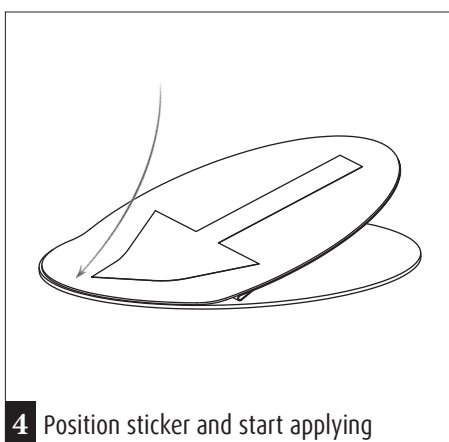
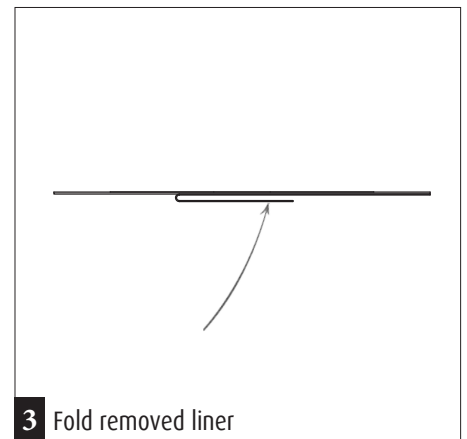
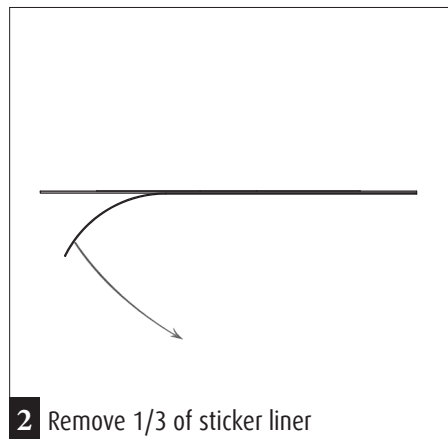
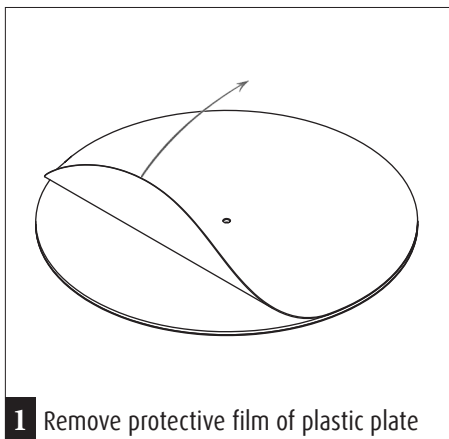
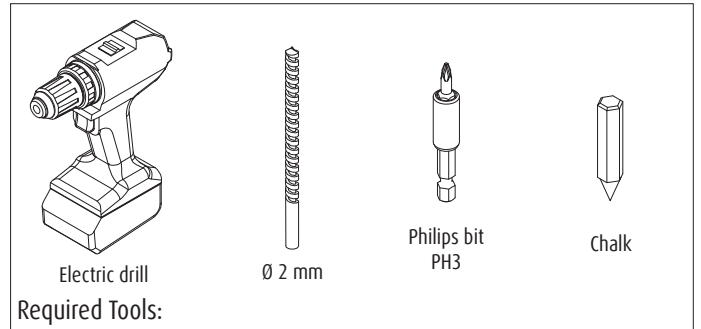
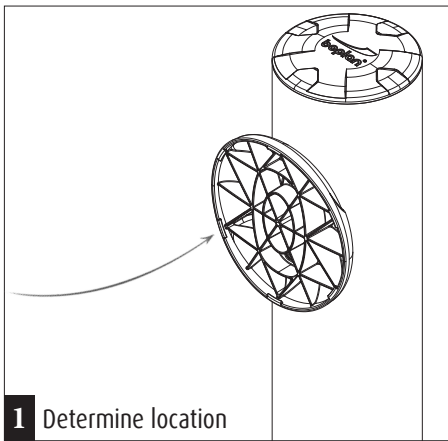


# SIGNMARK 150

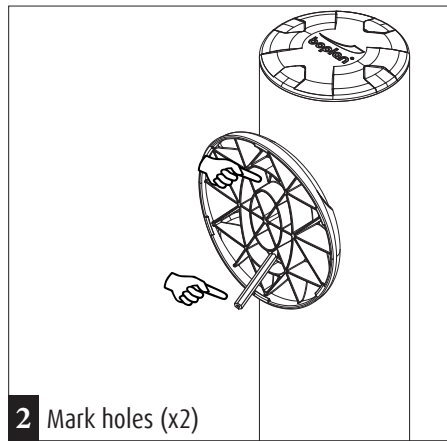
## INSTALLATION SHEET

Reference: SS0001-0150-...

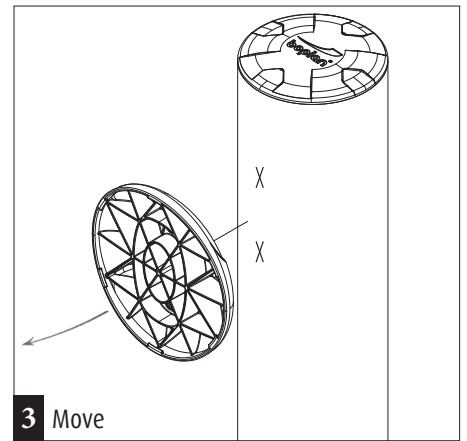




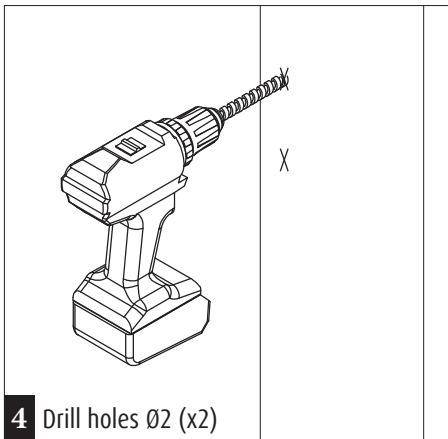
1 Determine location



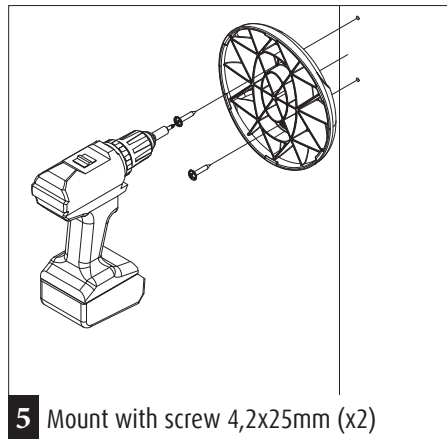
2 Mark holes (x2)



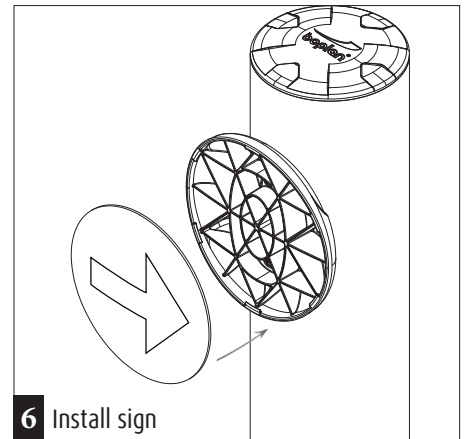
3 Move



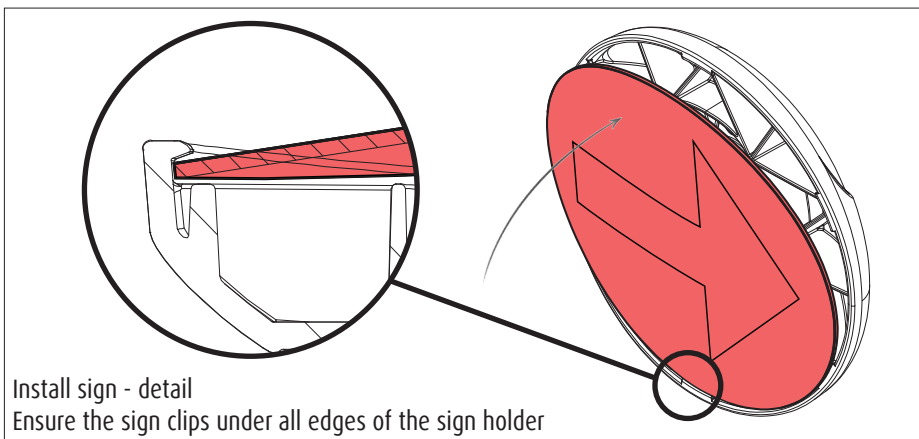
4 Drill holes Ø2 (x2)



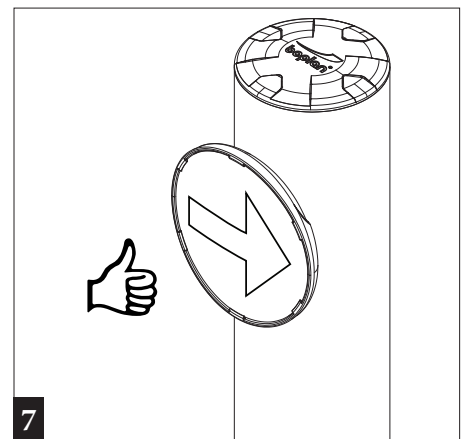
5 Mount with screw 4,2x25mm (x2)



6 Install sign

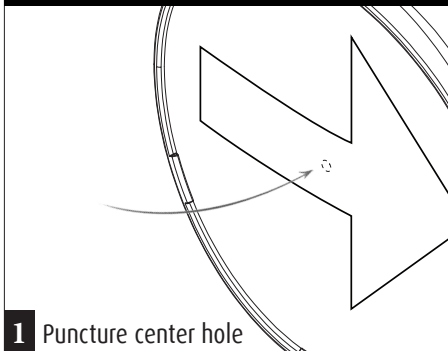


Install sign - detail  
Ensure the sign clips under all edges of the sign holder

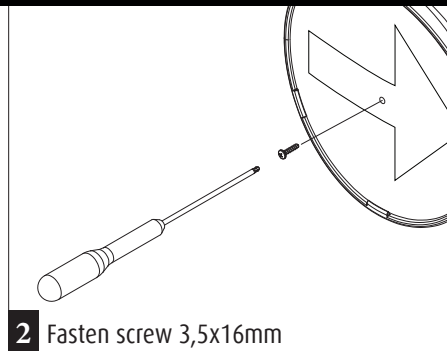


7

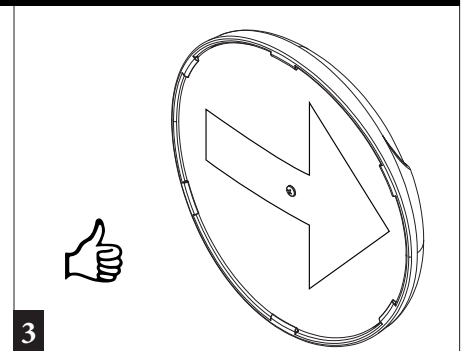
### Optional Sign Board Screw fixation



1 Puncture center hole



2 Fasten screw 3,5x16mm



3