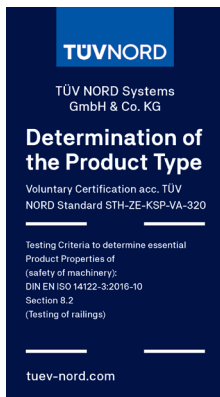



# AG SINGLE AXES GATE

## SAFETY GATES

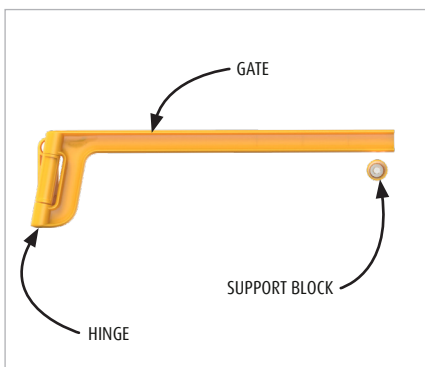
Revision: 11 February 2025 9:00 AM  
Boplan reference: AG0110...



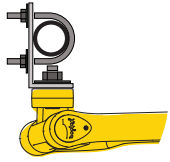
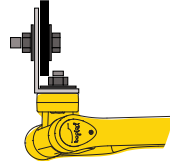
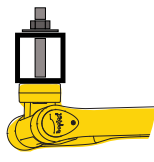
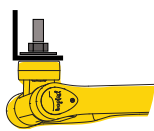
### PRODUCT SPECIFICATIONS

| APPLICATION            |   |
|------------------------|---|
| Environment            | Ground-level applications. (Use the Double Axes Gate, with an opening up to 37in, for fall protection).<br>Indoor and outdoor environment.<br>Extremely saline environments.<br>Chemical industries near corrosive, chemical substances.  |
| Features               | Self-closing safety gate (gravity).<br>Opens to the left or to the right.<br>Opens over an angle of 120°.<br>Can be cut on size (Cutting will be charged separately).<br>Can be mounted on different type of poles or profiles.<br>Designed with rounded elements that prevent snags in clothing or limbs.<br>Colored into the mass.<br>Eco-friendly with 100% recyclable material.<br>Non - corrosive.<br>UV-resistant.<br>Fire class V0 according to UL94 (US Standard for Safety of Flammability of Plastics).<br>Impervious to most chemical products*.<br>Positively tested up to 150.000 cycles (open/close). |
| Advisory speed         | Not intended for vehicle impact.  |
| MATERIAL               |   |
| Gate / hinge / stopper | High Impact Thermoplastic Engineered Polymer (HI-TEP) - Fire class V0* - Non conductive   |
| Fixations              | Stainless steel A4  |
| STANDARD COLORS        |   |
| Gate / hinge / stopper | Yellow Ral 1003 (Signal Yellow)   |
| FIXATIONS (included)   |   |
| To fix hinge           | <p>Fix hinge block to plate:<br/>Bolts: M10x30mm - stainless steel (2x)<br/>Washer M10 - stainless steel (2x)</p> <p>Mount hinge assembly to surface:<br/>Bolts: M12x80mm - stainless steel (2x)<br/>Washer M12 - stainless steel (4x)<br/>Locknut M12 - stainless steel (2x)</p>    |
| To fix support block   | <p>Bolts: M12x80mm - stainless steel (1x)<br/>Washer M12 - stainless steel (2x)<br/>Locknut M12 - stainless steel (1x)</p>   |

\*Ask your local sales office for resistance to specific chemicals.



**FEATURES AND FUNCTIONALITY - SINGLE AXES GATE**

| ATTACH TO   |   |
|-------------|---|
| Round tube  |    |
| I-Profile   |    |
| Square tube |    |
| L-Profile   |  |

| REQUIREMENTS  |  |
|---|--|
| Installation  | Always need to close against a post.   |
| Operational temperature   | -4°F up to 104°F   |
| Food proof  | No   |
| Use   | Always to be opened manually. Not indented to absorb vehicle impact.   |
| SIZE  |  |
| Section gate  | (H) 2 9/16 in x (W) 2 3/8 in   |
| Weight  | 8,60 lbs (version with an opening of 44 in; incl hinge, fixations,...)<br>7,71 lbs (version with an opening of 34 in; incl hinge, fixations,...) |
| COMPLIANCE  |  |
| The Single Axes Gate, with an opening up to 34 in, DOES comply with safety standard EN14122-3 chapter 8.2 (tested on strength and TÜV certified, with certificate available upon request) |  |
| The Single Axes Gate DOES NOT comply with safety standard EN14122-3 chapter 7.1.4. (But the double axes gate, with an opening up to 37 in, does) due to the absence of a knee rail.       |  |

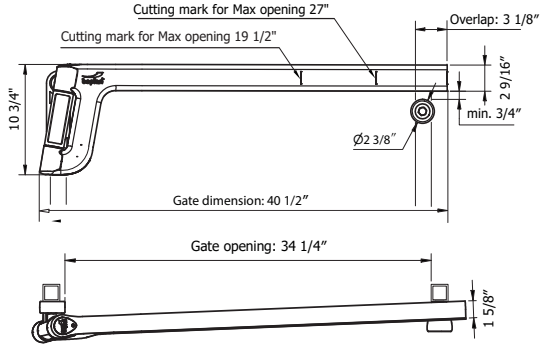
**REFERENCES - SINGLE AXES GATE**

| SINGLE AXES GATE  |                   |  |  |
|-------------------|-------------------|--|--|
|                   | Gate opening (in) |  |  |
| AG0110-0940-A4-YE |                   |  |  |
| AG0110-1200-A4-YE |                   |  |  |

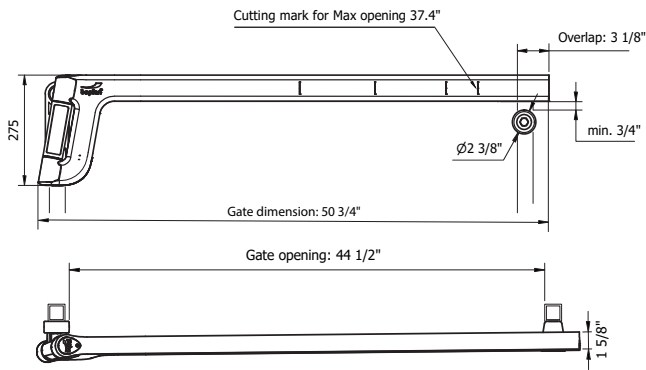
| SINGLE AXES GATE - ACCESSORIES |  |
|--------------------------------|--|
| AG0199-0004-0016A2             | <p>Magnetic locking system<br/>35,3 lbs pullpower<br/>(incl fixations)</p> |
| AG0199-0001-0050BL             | <p>Safety knob<br/>Black<br/>Rubber<br/>(incl fixations)</p>               |
| AG0199-0005-0060YE             | <p>Support Block<br/>(incl fixations)</p>                                  |

| SINGLE AXES GATE - ACCESSORIES |   |
|--------------------------------|---|
| AG0199-0006-0055A4             | <p>L-Bracket<br/>(incl fixations)</p>   |
| AG0199-0005-0245A4             | <p>Pipe fixing system<br/>Tubes Ø1 1/2 - 2 1/16 inch<br/>(incl fixations)</p> |

**REFERENCES - SINGLE AXES GATE**

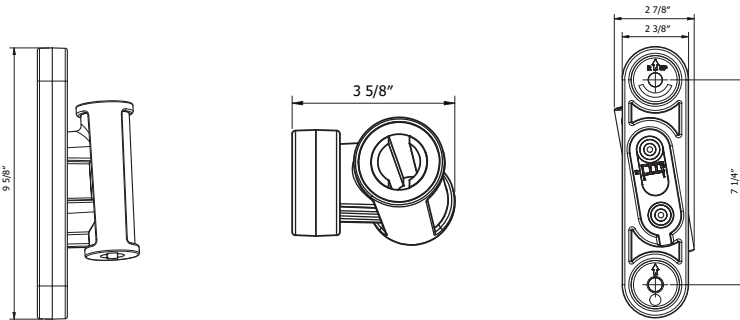


Single Axes Gate - opening 37 Inch



Single Axes Gate - opening 44 Inch

Axes Gate hinge dimensions



Gravity closing system

