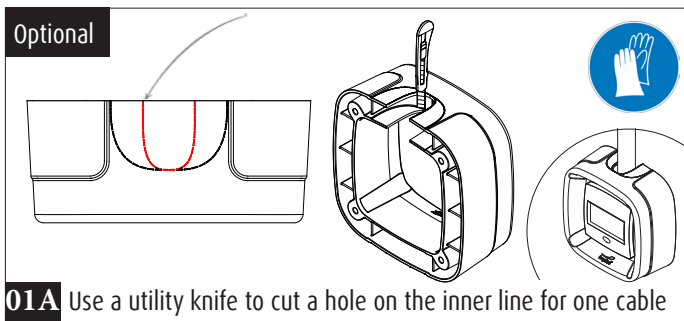
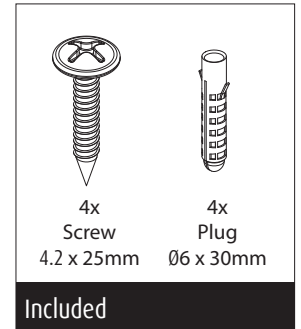
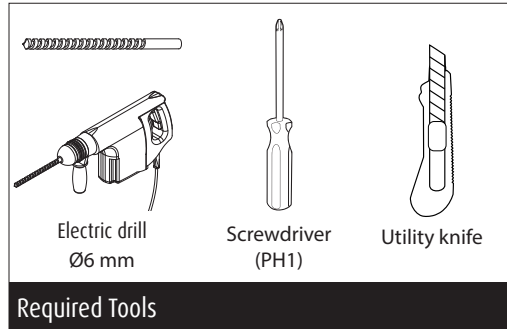
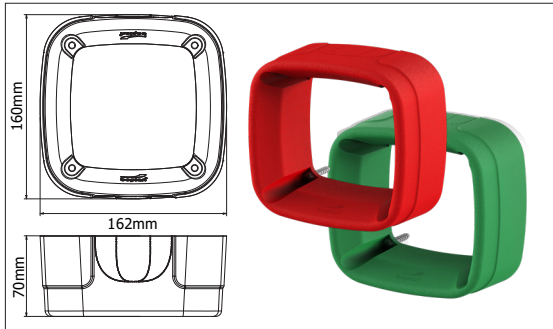
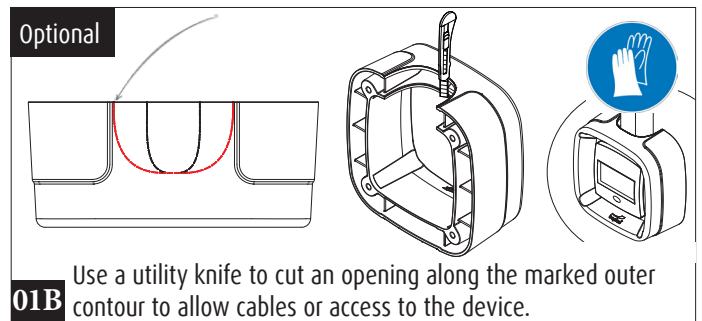




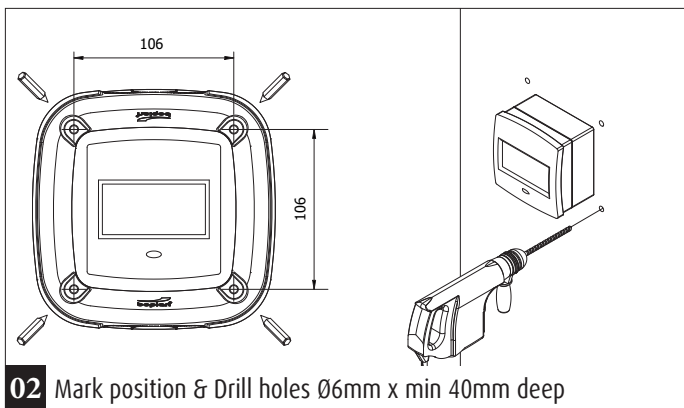
Reference: WA0160-0160-0070..



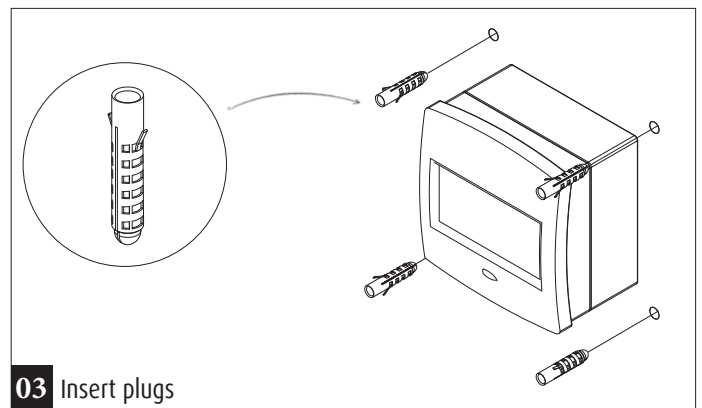
01A Use a utility knife to cut a hole on the inner line for one cable



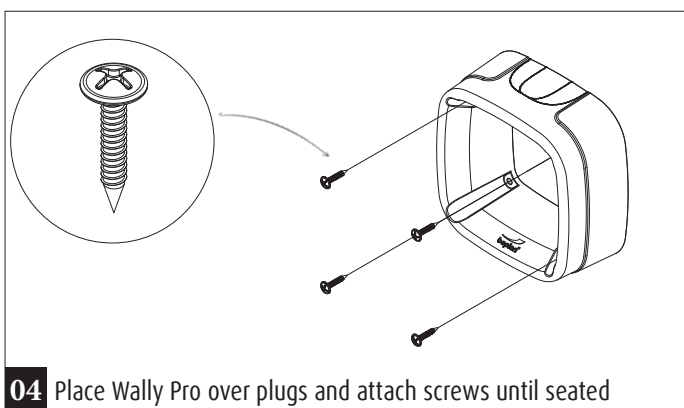
01B Use a utility knife to cut an opening along the marked outer contour to allow cables or access to the device.



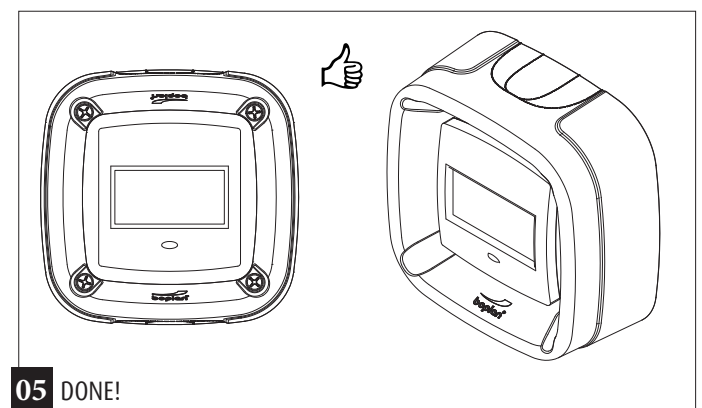
02 Mark position & Drill holes Ø6mm x min 40mm deep



03 Insert plugs



04 Place Wally Pro over plugs and attach screws until seated



05 DONE!