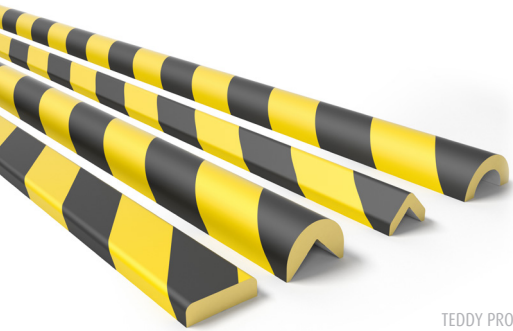


TEDDY PRO

PROTECTIVE BUMPERS

Revision: 21 January 2026 2:14 PM
Boplan reference: TE...



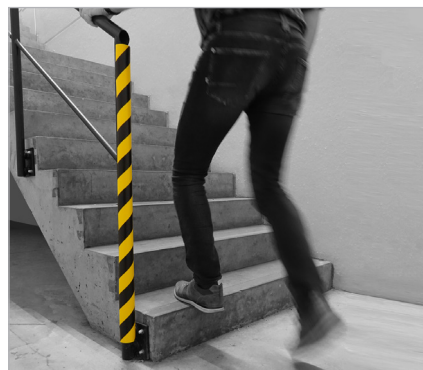
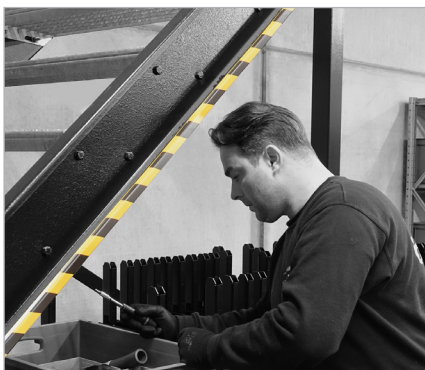
TEDDY PRO



TEDDY PRO SSB (Stainless Steel Base)

PRODUCT SPECIFICATIONS

APPLICATION		
Protection	Bumper to prevent body injuries at corners and (sharp) edges. (eg: hand and head injuries) Bumper to prevent damages to scratch sensitive materials. Bumper to protect infrastructure (walls, pillars) against trolleys and light carts.	
Environments	Intended for dry, indoor use. Operational temperature -40°F up to 212°F	
Features	Durable long term protection Flexible profile, can be applied on curved surfaces Permanent adhesive with excellent adhesion properties on various surfaces High visibility for indication of danger zones. Easy to apply, no tools needed	
Advisory impact	People bumping their head or body against corners and edges Light carts and trolleys at low speed (330 lbs - 3 mph)	
MATERIAL		
Outer skin	1. TPU	
Core	2. Flexible high density PU foam	
Adhesive	3. Acrylate (Solvent free)	
Liner	4. Silicone-free paper film	
STANDARD COLOURS		
Outer skin	Yellow-Black stripes	
INSTALLATION		
	TEDDY PRO	TEDDY PRO - SSB Stainless Steel Base
Pretreatment	Surfaces need to be clean, dry and degreased. Advised application temperature: 59-68°F	Not needed
Advised environment	Concrete wall or pillar Steel rack / Metal construction Glass edge / Glass surface	Damp or oil soaked surface Wooden surface
Installation instruction (see also installation sheet)	Remove liner and press firmly against surface.	<p>Stainless steel screws and plugs included.</p>



FEATURES AND FUNCTIONALITY - TEDDY PRO

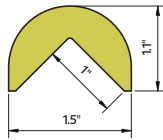

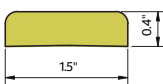

SIZE AND PHYSICAL PROPERTIES

Profile length	3 ft and 6 ft	
Surface roughness	smooth surface	
Abrasion resistance	High	
Elasticity / flexibility	High	
Density	34 - 37 lb/ft ³	
Weight	Teddy AR25	360 gr/meter
	Teddy FL40	200 gr/meter
	Teddy EV19	160 gr/meter
	Teddy RR30	300 gr/meter
Exposure to sunlight	Not intended for outdoor use.	
Fire resistance	Class E	ISO 11925-2
Adhesive power	min. 35 N/25mm	DIN EN 1939 (2003)
Hardness	50	Shore A

CHEMICAL RESISTANCE

Salt environment	Continuous exposure
Wet environment	Limited exposure
Petroleum / oil / kerosene	Limited exposure
Benzene - toluene	Limited exposure
Alcohols	Limited exposure (Ethanol, Methanol, Phenol)
Alkaline solutions	Not recommended
Acid solutions	Not recommended (Nitric acid)
Solvents	Not recommended (Aceton, Formamide, dimethyl sulfoxide)
For further information about chemical resistance contact your local sales team	

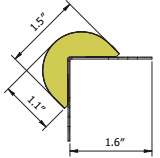
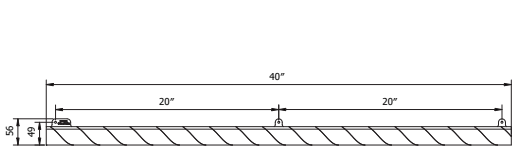
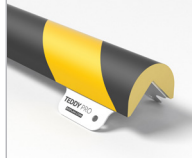
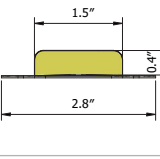
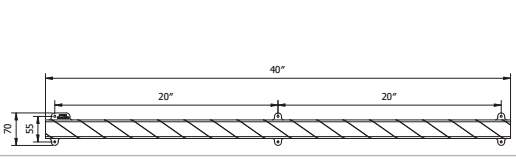

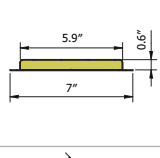
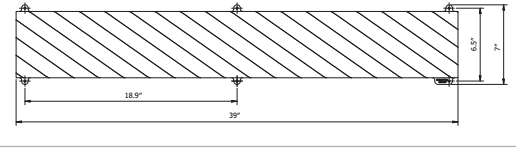

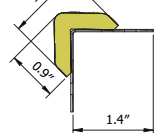
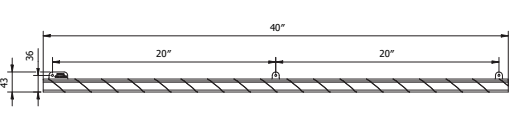

REFERENCE LIST - TEDDY PRO

Description	Sales unit	3 ft	6 ft		
Teddy Pro AR25 Corner Outer diameter 1.5in - YB	1 pc	TEAR25-1000-S001YB	TEAR25-2000-S001YB		
Teddy Pro FL40 Surface Outer width 1.5in - YB	1 pc	TEFL40-1000-S001YB	TEFL40-2000-S001YB		

REFERENCE LIST - TEDDY PRO

Description	Sales unit	1 meter	2 meter		
Teddy Pro EV19 Corner Outer width 1.25in - YB	1 pc	TEEV19-1000-S001YB	TEEV19-2000-S001YB		
Teddy Pro EV35 Corner Outer width 54mm - YB	1 pc	TEEV35-1000-S001YB	TEEV35-2000-S001YB		
Teddy Pro RR30 Pipe Inner diameter 30mm - YB	1 pc	TERR30-1000-S001YB	TERR30-2000-S001YB		
Teddy Pro FR28 Surface round Outer width 40mm - YB	1 pc	TEFR28-1000-S001YB	TEFR28-2000-S001YB		
Teddy Pro EU19 Edge Outer width 27mm - YB	1 pc	TEEU19-1000-S001YB	TEEU19-2000-S001YB		
Teddy Pro VU19 Edge Outer width 39mm - YB	1 pc	TEVU19-1000-S001YB	TEVU19-2000-S001YB		

REFERENCE LIST - TEDDY PRO - SSB (Stainless Steel Base)

Description	Unit	1 meter			
Teddy Pro AR25 Corner Outer diameter 40 mm - YB Stainless Steel Base	1 pc	TEAR25-1000-SSBYB			
Teddy Pro FL40 Surface Outer width 40 mm - YB Stainless Steel Base	1 pc	TEFL40-1000-SSBYB			
Teddy Pro FL150 Surface Outer width 150 mm - YB Stainless Steel Base	1 pc	TEFL150-1000-SSBYB			
Teddy Pro EV19 Corner Outer width 32 mm - YB Stainless Steel Base	1 pc	TEEV19-1000-SSBYB			

Metal base is pre-assembled.
Thickness metal base = 1 mm
Type of steel = Stainless Steel 304
Not fit for outdoor use

