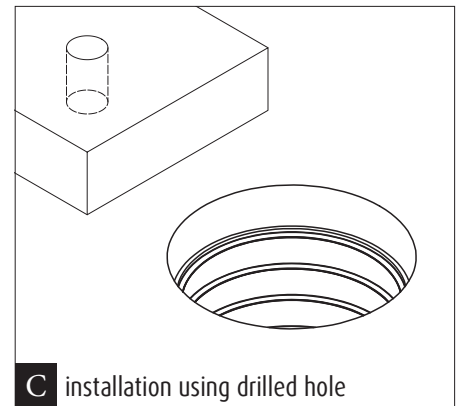
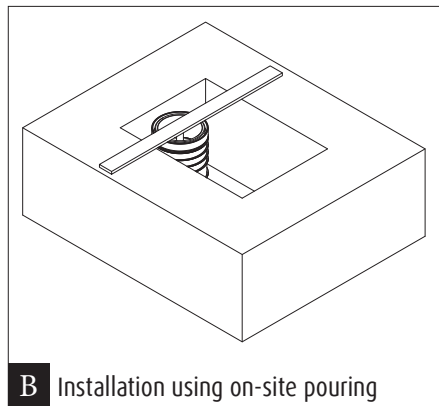
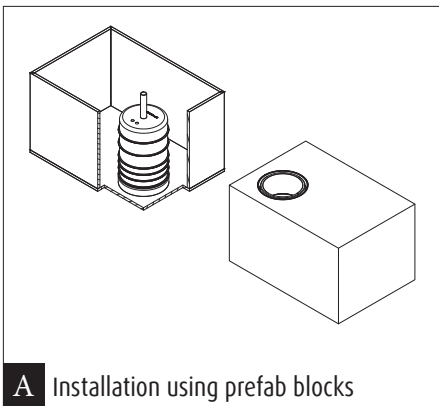
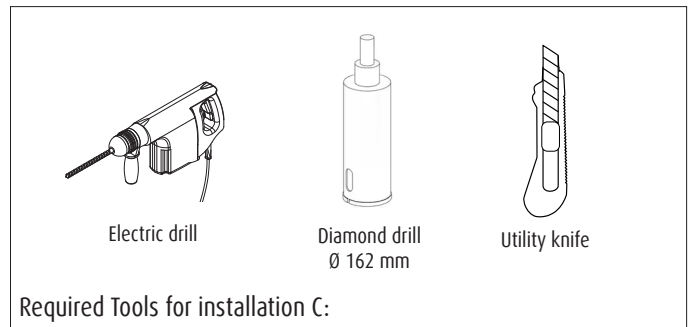


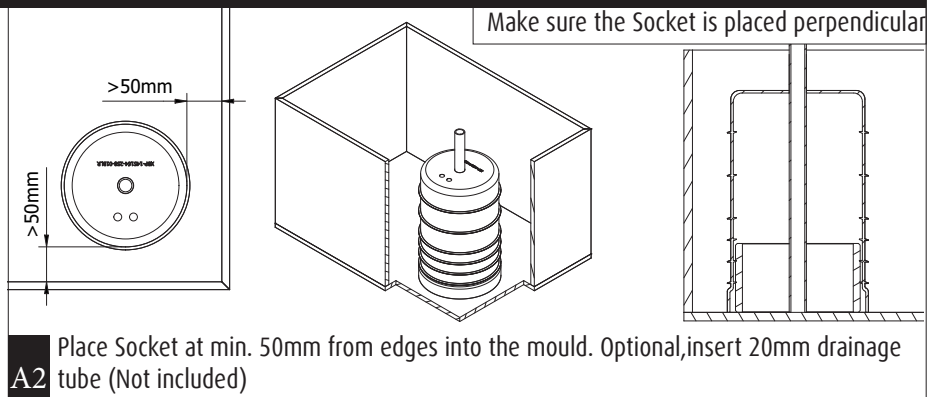
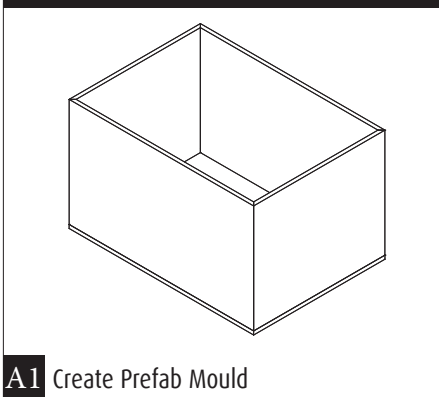
# BO145L EV

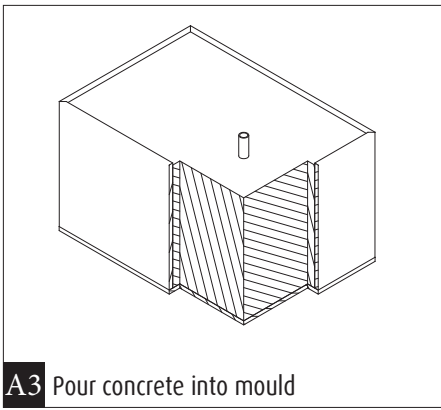
## INSTALLATION SHEET

Reference: BO145L0-....-01EV..

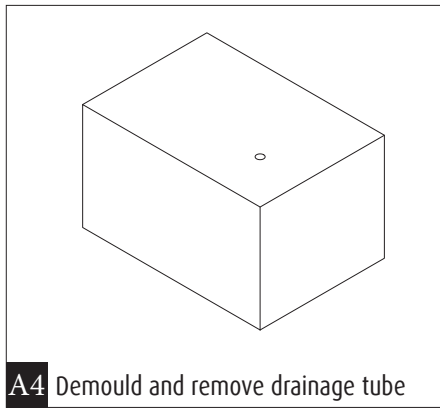


### A: PRECAST INSTALLATION

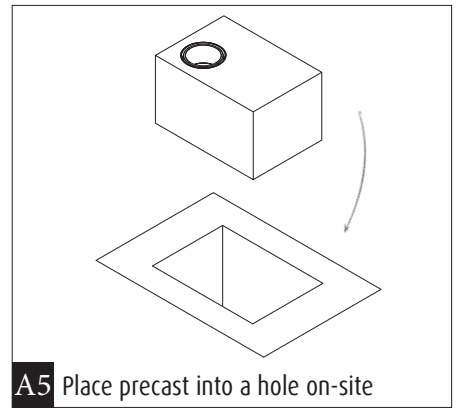




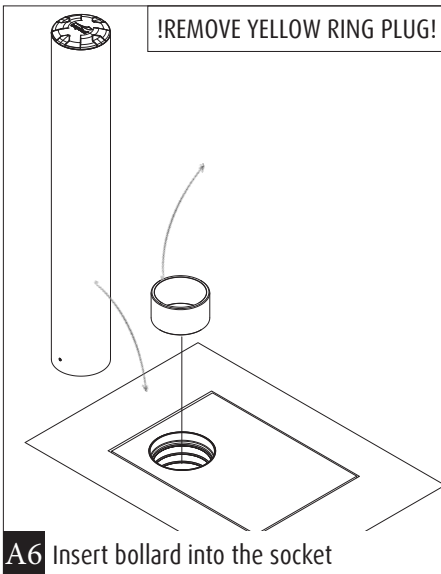
**A3** Pour concrete into mould



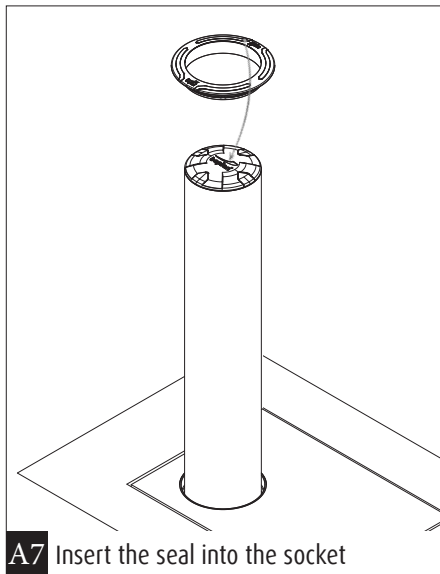
**A4** Demould and remove drainage tube



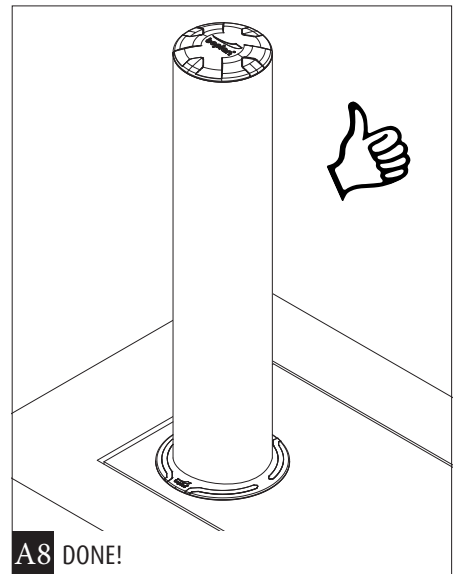
**A5** Place precast into a hole on-site



**A6** Insert bollard into the socket

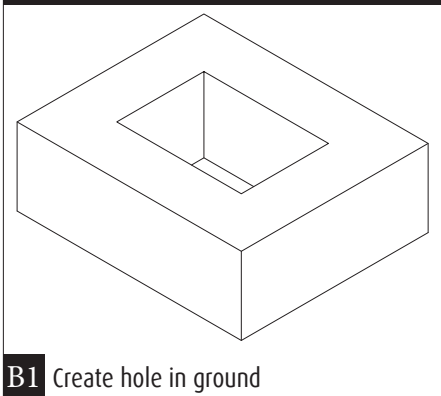


**A7** Insert the seal into the socket

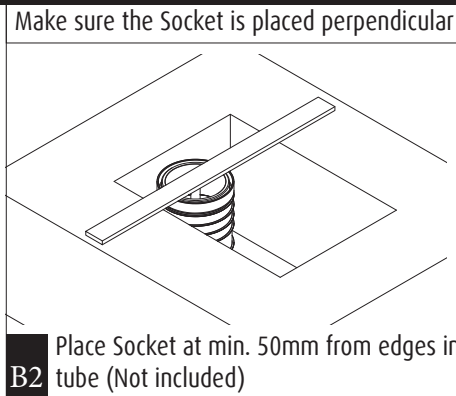


**A8** DONE!

**B: ON-SITE INSTALLATION**

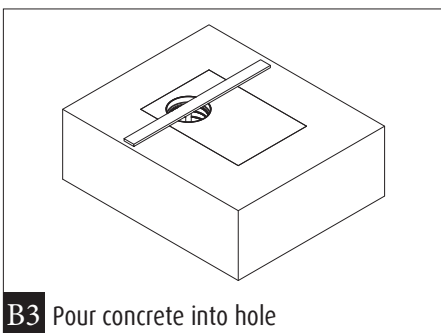
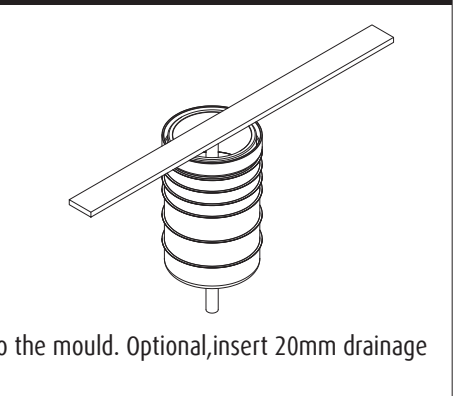


**B1** Create hole in ground

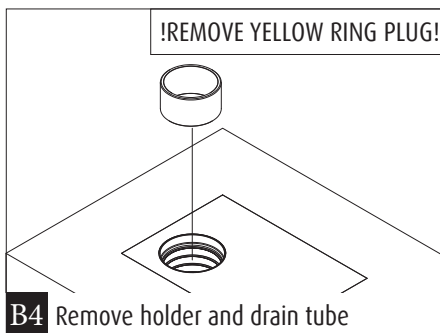


Make sure the Socket is placed perpendicular

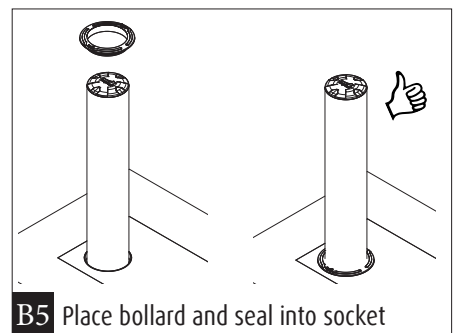
**B2** Place Socket at min. 50mm from edges into the mould. Optional, insert 20mm drainage tube (Not included)



**B3** Pour concrete into hole



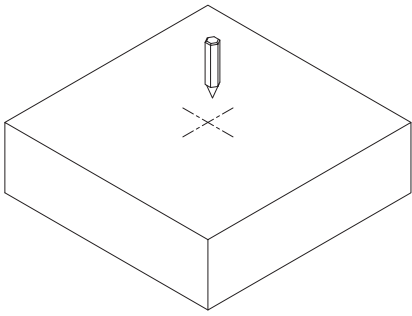
**B4** Remove holder and drain tube



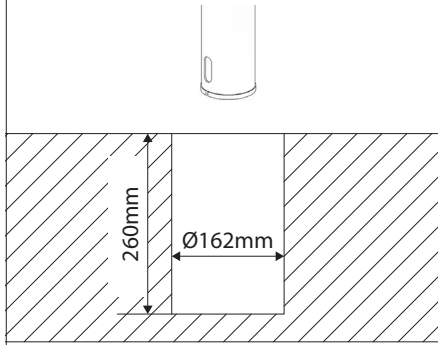
**B5** Place bollard and seal into socket



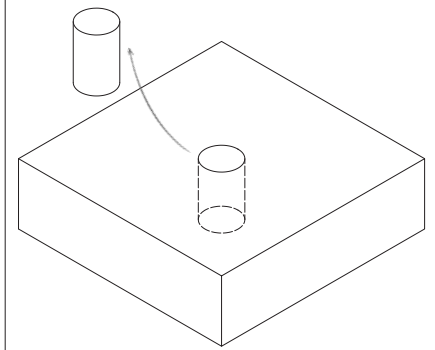
C: DRILL ON SITE



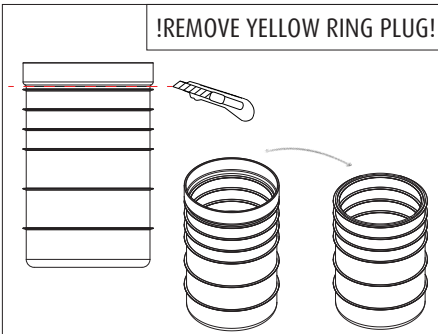
C1 Mark position on ground



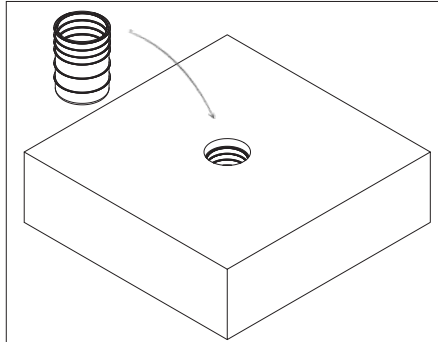
C2 Drill hole Ø162mm 260mm deep



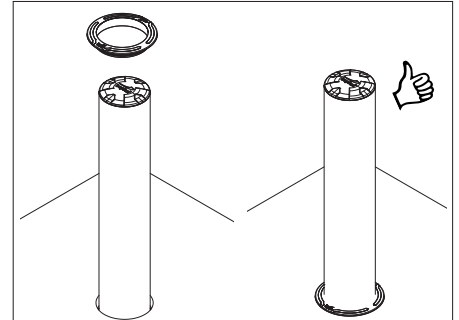
C3 Remove chunk and clean out hole



C4 Cut off top part of socket



C5 Insert socket into hole



C6 Insert Bollard and seal into socket

