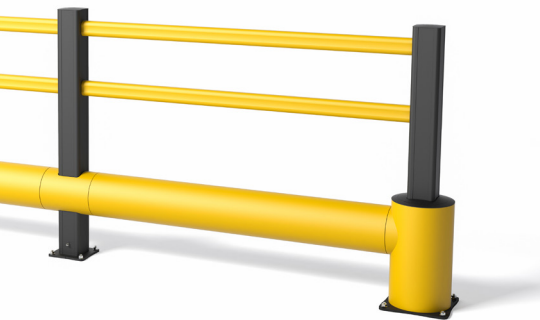


TB 400 PLUS

SAFETY BARRIERS

Revision: 20 April 2026 11:01 AM
Boplan reference: TP4000-...



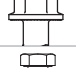
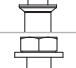
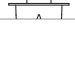


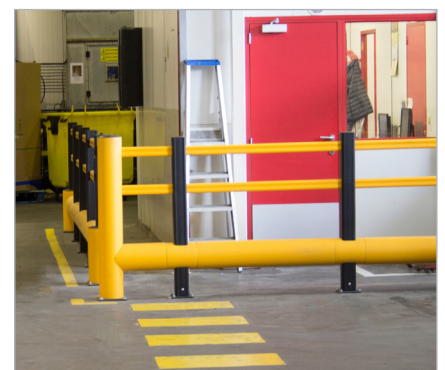
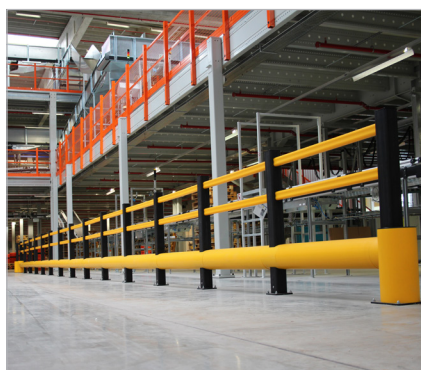
PRODUCT SPECIFICATIONS

| APPLICATION | | | |
|---------------------------|--|--------------------------|-------------------------|
| Environment | The TB 400 Plus is used for creating walkways and protecting pedestrians from pallet trucks, lift trucks, forklifts or other vehicles. | | |
| Impact performance at 90° | POST: 16100 Joule (Eq. to 5 ton - 9,1 km/h) | | |
| | RAIL: 20100 Joule (Eq. to 5 ton - 10,2 km/h) | | |
| MATERIAL | | | |
| Posts and rails | Extrilene® - UV resistant - Fire class E ⁺ - Non conductive - Impervious to most chemicals ^{**} | | |
| Caps | Sustainable elastomer | | |
| STANDARD COLOURS | | | |
| End post | Black RAL 9005 | | |
| Mid post | Black RAL 9005 | | |
| Impact tube | Yellow RAL 1003 | | |
| Handrails | Yellow RAL 1003 | | |
| BASEPLATES | | | |
| | Steel | Zinc Coated Steel | Stainless steel |
| Material | Steel 37 | Steel 37 | Stainless steel 304 |
| Coating | Lacquered | Electroplated + Laquered | No lacquer / No coating |
| Colour | High gloss black | Mat black | Natural colour |

*Classification according to EN 13501-1:2007 +A1:2009 - Fire classification of construction products and building elements.

**Ask your local sales office for resistance to specific chemicals.

| FIXATIONS | | | |
|--------------|-----------------------|--|------------------------------|
| | | ZC (Zinc coated) | SS (Stainless steel) |
| STANDARD | Wedge anchor |  M12 x 120mm | M12 x 120mm |
| | Anchor rod (Chemical) |  M12 x 120mm + Chemical resin | M12 x 120mm + Chemical resin |
| ALTERNATIVES | Concrete screw |  Ø12mm x 100mm | Not available |
| | Asphalt anchor |  Bolt M10 x 40mm + Screw Ø16mm | Not available |
| | Spit anchor |  Bolt M12 x 100mm + Plug Ø20mm | Not available |



FEATURES AND FUNCTIONALITY - TB 400 PLUS

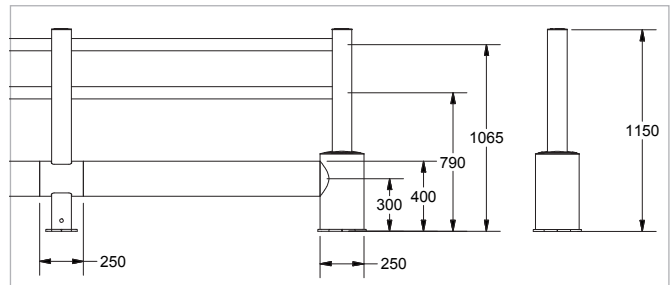
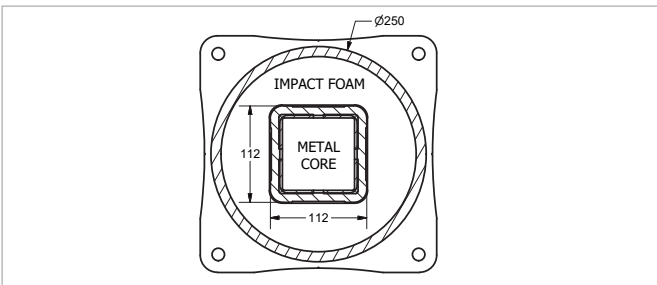
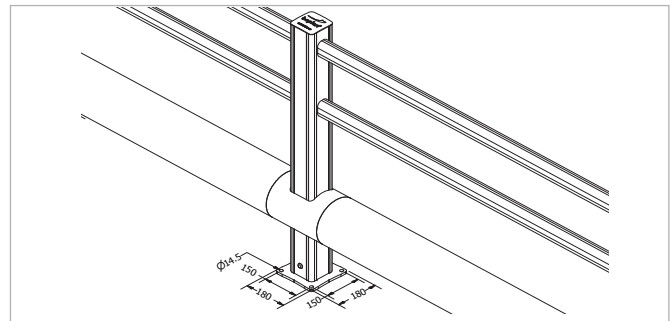
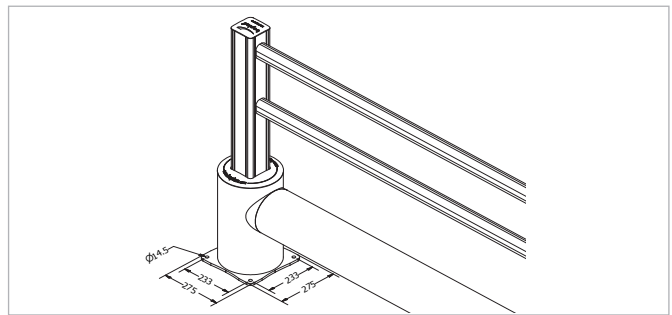
| SIZE | |
|---------------------------|--|
| Height end posts | 1150 mm |
| Height mid post | 1150 mm |
| Profile section tubes | Ø200 mm (11 mm thick) |
| Profile section handrails | 50 mm x 70 mm (6 mm thick) |
| Profile section end posts | Outer tube: Ø250 mm (11 mm thick) Inner profile: 112 mm x 112 mm (10 mm thick) |
| Profile section mid posts | Profile: 112 mm x 112 mm (10 mm thick) |
| Standard rail length | 1350 mm (other sizes: 750 mm - 1750 mm) |
| Baseplate | End Post: 275 mm x 275 mm x (10 mm thick) Mid Post: 180 mm x 180 mm x (10 mm thick) |

| REQUIREMENTS | |
|---|---|
| Concrete quality | minimum C25/30 |
| Concrete floor plate thickness (mm) | minimum 150 mm |
| Concrete slab dimension around posts (mm) | 600 (h) x 600 (w) x 300 (d) |
| Operational temperature | -10°C up to +40°C |
| Water and humidity | Steel (standard): dry indoor use only. Zinc coated: outdoor use in most environments. Stainless Steel: outdoor use or frequent exposure to water and humidity. |



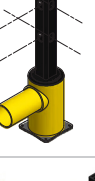
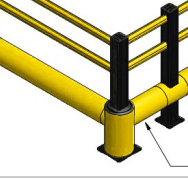
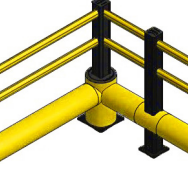
boplan **IMPACT LABEL FOR SAFETY BARRIERS**

| BOPLAN TB 400 PLUS | | |
|---------------------------|----------------|----------------|
| IMPACT RATING | 45° | 90° |
| E80 < 80 kJ | | |
| E60 < 60 kJ | | |
| E50 < 50 kJ | | |
| E40 < 40 kJ | | |
| E35 < 35 kJ | | |
| E30 < 30 kJ | 28,4 kJ | |
| E25 < 25 kJ | | 20,1 kJ |
| E20 < 20 kJ | | |
| E15 < 15 kJ | | |
| E10 < 10 kJ | | |
| E5 < 5,0 kJ | | |
| E2 < 2,5 kJ | | |

| | | |
|--|---|--|
| TEST CONDITIONS TEMPERATURE: 20°C / 68°F IMPACT HEIGHT: 300 mm / 11 3/4 Inch IMPACT ANGLE: 90° TEST FLOOR: CONCRETE SLAB C25/30 - 160 mm / 6 Inch MANUFACTURER ANCHOR PULL OUT: 7,9 kN | TEST VEHICLE WEIGHT: 2300 KG / 5070.63 lbs TYPE: COMMERCIAL FORK LIFT SIZE (L x W x h): 1890x1020x1970 mm / 74x40x78 Inch CONTACT AREA: STEEL BUMPER WIDTH: 600 mm / 24 Inch | ACCREDITED TEST LABORATORY 620 Route des Fromentaux 01500 Saint-Maurice-de-Rémens 01360 Bèlignieux France |
| SUCCESS CRITERIA VEHICLE STOPPED - ASI (ACCELERATION SEVERITY INDEX) < 0.5 | | IL-TF400-20230920 |



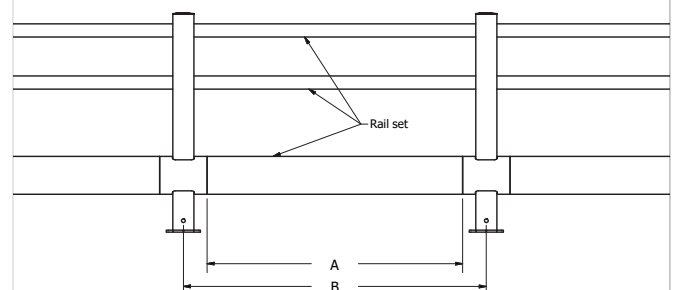
REFERENCE LIST - TB 400 PLUS

| POSTS | | |
|--|---|---|
| End post End post - ZC End post - SS | TP4000-0001-EPYE TP4000-0001-EPYEZ TP4000-0001-EPYES |  |
| Mid post Mid post - ZC Mid post - SS | TP4000-0001-MPYE TP4000-0001-MPYEZ TP4000-0001-MPYES |  |
| T end post* T end post - ZC* T end post - SS* | TP4000-0001-TPYE TP4000-0001-TPYEZ TP4000-0001-TPYES |  |
| Corner post - 90° - Up Corner post - 90° - Up - ZC Corner post - 90° - Up - SS | TP4000-0001-CPUYE TP4000-0001-CPUYEZ TP4000-0001-CPUYES |  |
| Corner post - 90° - Down Corner post - 90° - Down - ZC Corner post - 90° - Down - SS | TP4000-0001-CPDYE TP4000-0001-CPDYEZ TP4000-0001-CPDYES |  |

* 2 caps included to close handrail hole

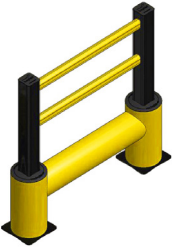
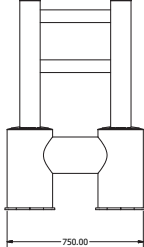
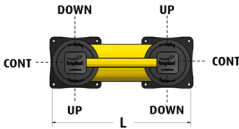
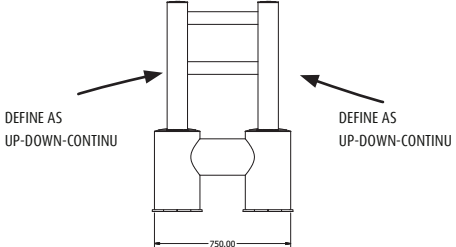
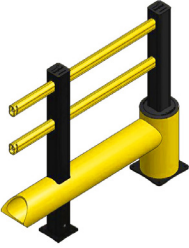
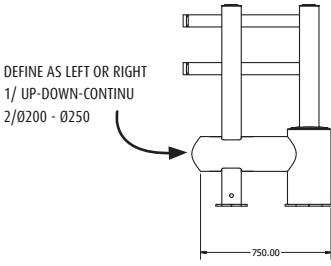
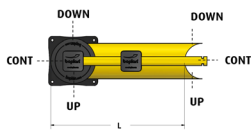
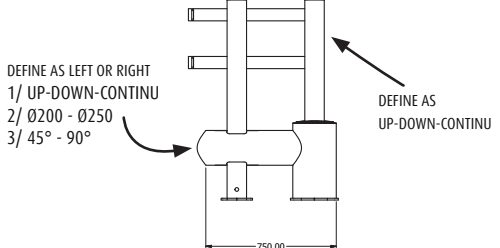
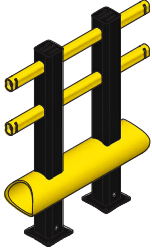
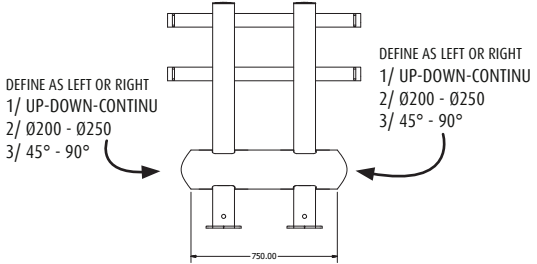
| CURVES | | |
|--|--------------------|---|
| Conn.tube Ø200 Curve 350mm - YE | TP4000-0350-C200YE |  |
| Conn.tube Ø200 - 45° Curve 350mm - YE | TP4000-0350-C204YE |  |
| Conn.tube Ø200 - 90° Curve 350mm - YE | TP4000-0350-C209YE |  |
| Conn.tube Ø250 Curve 350mm - YE | TP4000-0350-C250YE |  |
| Conn.tube Ø250 - 90° Curve 350mm - YE | TP4000-0350-C259YE |  |

| RAIL SETS | | | |
|---------------|-----------------|---------------|--------------------|
| | Tube length (A) | CC length (B) | Reference |
| Standard rail | 750 mm | 1000 mm | TP4000-0750-1000YE |
| Standard rail | 950 mm | 1200 mm | TP4000-0950-1200YE |
| Standard rail | 1150 mm | 1400 mm | TP4000-1150-1400YE |
| Standard rail | 1350 mm | 1600 mm | TP4000-1350-1600YE |
| Standard rail | 1550 mm | 1800 mm* | TP4000-1550-1800YE |
| Standard rail | 1750 mm | 2000 mm* | TP4000-1750-2000YE |
| Short rail | 600-1349 mm | 850-1599 mm | TP4009-1599-SRYE |
| Long rail | 1351-1749 mm | 1601-2000 mm* | TP4009-2000-LRYE |

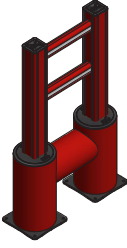
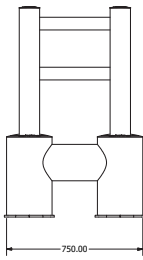
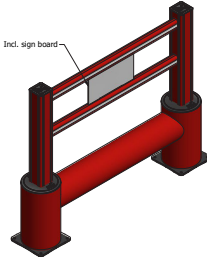
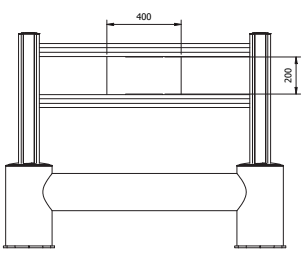


* The impact performance has not been tested for tube lengths > 1600 mm. Only use these lengths for non-critical applications.

REFERENCE LIST - TB 400 PLUS

| FIXED UNITS | | | | | | |
|-------------|--|-------------|-------------------|--|---|--|
| TYPE | LENGTH | BASE | REFERENCE YE | | | |
| no curves | Endpost | 750 mm | Steel ZC SS | TP4000-0750-FUYE TP4000-0750-FUYEZ TP4000-0750-FUYES |  |  |
| | | 751-1750 mm | Steel ZC SS | TP4001-1750-FUYE TP4001-1750-FUYEZ TP4001-1750-FUYES | | |
| | Post <i>Up</i> <i>Down</i> <i>Continu</i> | 750 mm | Steel ZC SS | TP4002-0750-FUYE TP4002-0750-FUYEZ TP4002-0750-FUYES |  |  |
| | | 751-1750 mm | Steel ZC SS | TP4002-1750-FUYE TP4002-1750-FUYEZ TP4002-1750-FUYES | | |
| 1 curve | Endpost | 750 mm | Steel ZC SS | TP4000-0750-FU1CYE TP4000-0750-FU1CYEZ TP4000-0750-FU1CYES |  |  |
| | | 751-1750 mm | Steel ZC SS | TP4001-1750-FU1CYE TP4001-1750-FU1CYEZ TP4001-1750-FU1CYES | | |
| | Post <i>Up</i> <i>Down</i> <i>Continu</i> | 750 mm | Steel ZC SS | TP4002-0750-FU1CYE TP4002-0750-FU1CYEZ TP4002-0750-FU1CYES |  |  |
| | | 751-1750 mm | Steel ZC SS | TP4002-1750-FU1CYE TP4002-1750-FU1CYEZ TP4002-1750-FU1CYES | | |
| 2 curves | - | 750 mm | Steel ZC SS | TP4000-0750-FU2CYE TP4000-0750-FU2CYEZ TP4000-0750-FU2CYES |  |  |
| | | 751-1750 mm | Steel ZC SS | TP4001-1750-FU2CYE TP4001-1750-FU2CYEZ TP4001-1750-FU2CYES | | |

REFERENCE LIST - TB 400 PLUS
FIXED UNITS

| TYPE | LENGTH | BASE | REFERENCE RE | | | |
|----------------------------|---------|-------------|--------------|--------------------|--|--|
| no curves | Endpost | 750 mm | Steel | TP4000-0750-FURE |  |  |
| | Endpost | 751-1750 mm | Steel | TP4001-1750-FURE | | |
| no curves, with sign board | Endpost | 751-1750 mm | Steel | TP4001-1750-FURESB |  |  |